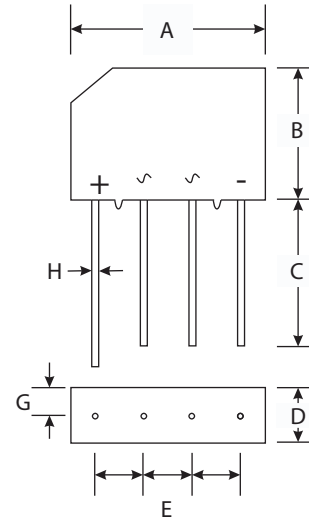


KBL201 THRU KBL207

CURRENT 2.0 Amperes
VOLTAGE 50 to 1000 Volts

Features

- Glass Passivated Die Construction
- High Case Dielectric Strength of 1500V_{RMS}
- Low Reverse Leakage Current
- Surge Overload Rating to 65A Peak
- Ideal for Printed Circuit Board Applications
- Plastic Material - UL Flammability Classification 94V-0



KBP		
Dim	Min	Max
A	14.00	15.00
B	10.50	11.50
C	15.00	—
D	4.70	5.00
E	3.50	4.00
G	2.30	2.50
H	0.70 Typical	
All Dimensions in mm		

Mechanical Data

- Case : Molded Plastic
- Terminals : Plated Leads, Solderable per MIL-STD-202, Method 208
- Polarity : As Marked on Body
- Approx. Weight : 1.52 grams
- Mounting Position : Any
- Marking : Type Number

Maximum Ratings And Electrical Characteristics

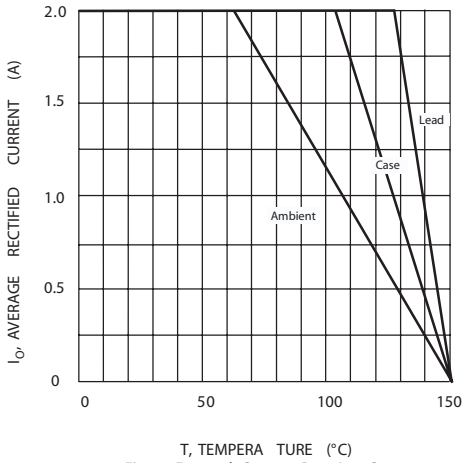
(Ratings at 25°C ambient temperature unless otherwise specified, Single phase, half wave 60Hz, resistive or inductive load. For capacitive load, derate by 20%)

	Symbols	KBL 201	KBL 202	KBL 203	KBL 204	KBL 205	KBL 206	KBL 207	Units
Peak Repetitive Reverse Voltage Working Peak Reverse Voltage DC Blocking Voltage	V _{RMM} V _{RWM} V _R	50	100	200	400	600	800	1000	Volts
RMS Reverse Voltage	V _{R(RMS)}	35	70	140	280	420	560	700	Volts
Average Rectified Output Current @ T _C =105°C	I _o	2.0							Amps
Non-Repetitive Peak Forward Surge Current, 8.3ms single half-sine-wave superimposed on rated load per element (JEDEC method)	I _{FSM}	65							Amps
Forward Voltage (per element) @ I _F =2.0 A	V _{FM}	1.1							Volts
Peak Reverse Current at Rated DC Blocking Voltage	@ T _C =25°C	5.0							μ A
	@ T _C =125°C	500							
Typical Junction Capacitance per Element (Note 2)	C _j	25							pF
Typical Thermal Resistance (Note 1)	R _{θ JC}	38							°C/W
Operating and Storage Temperature Range	T _j T _{STG}	-65 to +150							°C

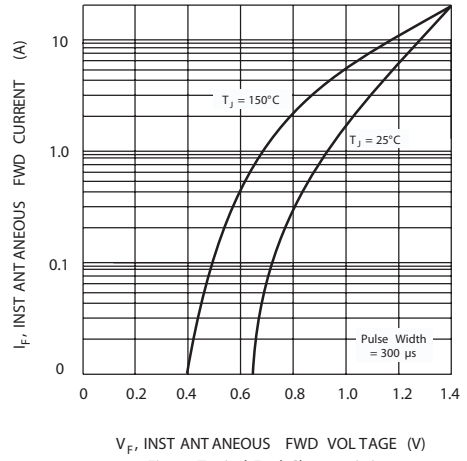
Notes:

- (1) Thermal resistance from junction to case per element. Unit mounted on 75 x 75 x 16mm aluminum plate heat sink.
- (2) Measured at 1.0MHz and Applied Reverse Voltage of 4.0V DC.

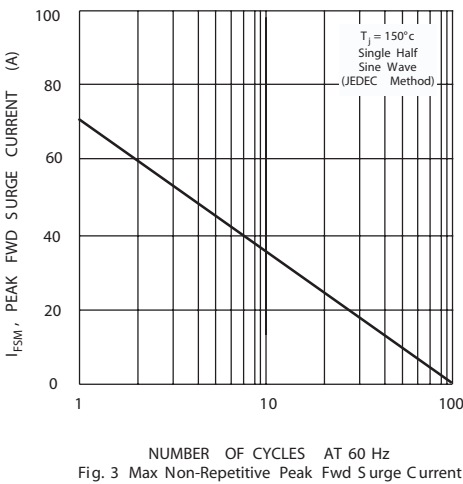
RATING AND CHARACTERISTIC CURVES KBL201 THRU KBL207



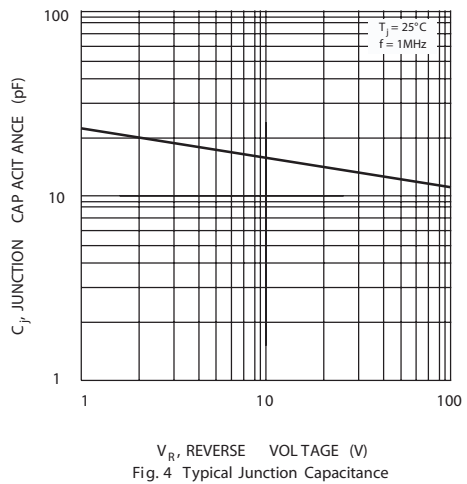
T, TEMPERATURE (°C)
Fig. 1 Forward Current Derating Curve



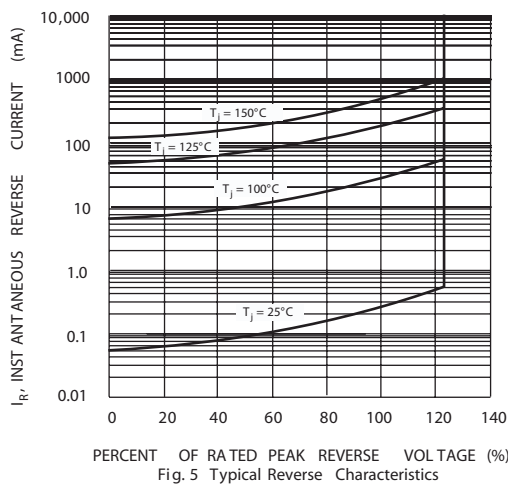
V_F, INSTANTANEOUS FWD VOLTAGE (V)
Fig. 2 Typical Fwd Characteristics



NUMBER OF CYCLES AT 60 Hz
Fig. 3 Max Non-Repetitive Peak Fwd Surge Current



V_R, REVERSE VOLTAGE (V)
Fig. 4 Typical Junction Capacitance



PERCENT OF RATED PEAK REVERSE VOLTAGE (%)
Fig. 5 Typical Reverse Characteristics