

K Series Crystal



- Plastic SMD Package
- Wide Frequency Range
- RoHS Compliant Available
- Tape and Reel Packaging



ELECTRICAL SPECIFICATIONS:

Frequency Range	3.500MHz to 70.000MHz
Frequency Tolerance/ Stability	±50ppm / ±100ppm Standard (See Part Number Guide for Options)
Operating Temperature Range	-10°C to +60°C
Storage Temperature	-55°C to +125°C
Aging	±5ppm per year max
Shunt Capacitance	7pF Max
Load Capacitance	16pF Standard (See Part Number Guide for Options)
Equivalent Series Resistance	See ESR Chart
Mode of Operation	Fundamental or 3 rd OT
Drive Level	50µW to 100µW
Insulation Resistance	500 M ohms Min at 100VDC ±15VDC
Hermeticity of Seal	1 x 10 ⁻² mPa (m ³ /s) Max
Shock Resistance	±5ppm max (drop test onto a hard wooden board from 75cm)

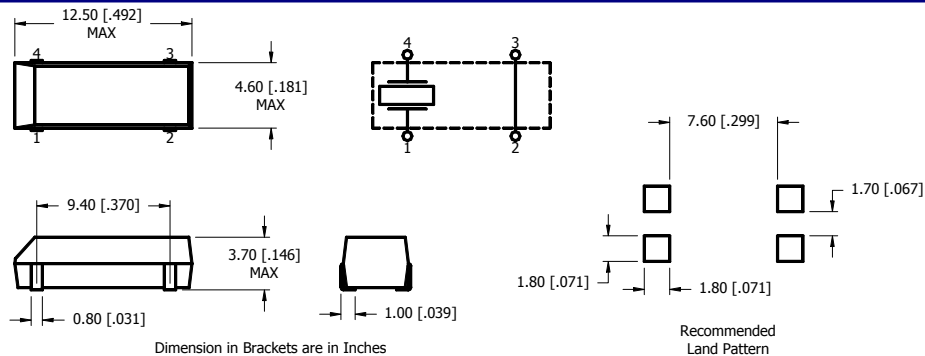
ESR CHART:

Frequency Range	ESR (Ohms)	Mode / Cut
3.500MHz to 3.999MHz	200 Max	Fund / AT
4.000MHz to 5.999MHz	150 Max	Fund / AT
6.000MHz to 9.999MHz	100 Max	Fund / AT
10.000MHz to 30.000MHz	50 Max	Fund / AT
30.000MHz to 35.999MHz	100 Max	3 rd OT/AT
36.000MHz to 70.000MHz	80 max	3 rd OT/AT

MARKING:

Line 1: MXX.XXX
 XX.XXX = Frequency in MHz
 Line 2: SYMCL
 S = Internal Code
 YM = Date Code (Year/Month)
 CC = Crystal Parameters Code
 L = Denotes RoHS Compliant

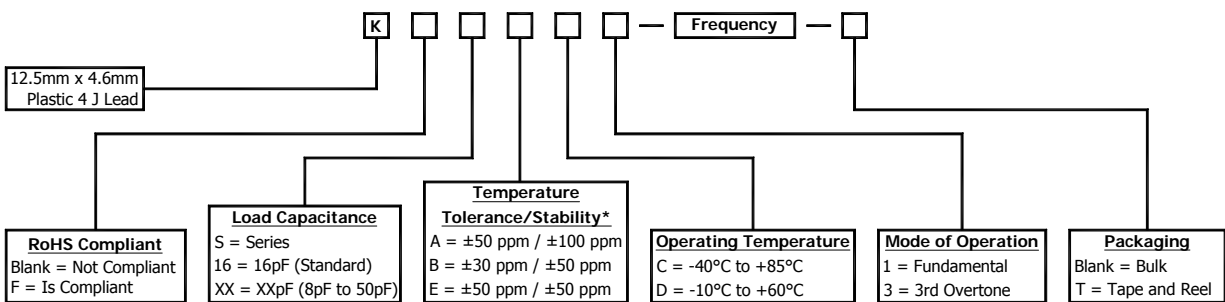
MECHANICAL DETAILS:



MOISTURE SENSITIVITY LEVEL:

Level	Floor Life		Standard		Accelerated Equivalent	
	Time	Conditions	Time	Conditions	Time	Conditions
3	168 Hours	≤30°C/60% R.H.	192 +5/-0 Hours	30°C/60% R.H.	40 +1/-0 Hours	60°C/60% R.H.

PART NUMBER GUIDE:



MMD Components, 30400 Esperanza, Rancho Santa Margarita, CA, 92688
 Phone: (949) 709-5075, Fax: (949) 709-3536, www.mmdcomp.com
 Sales@mmdcomp.com