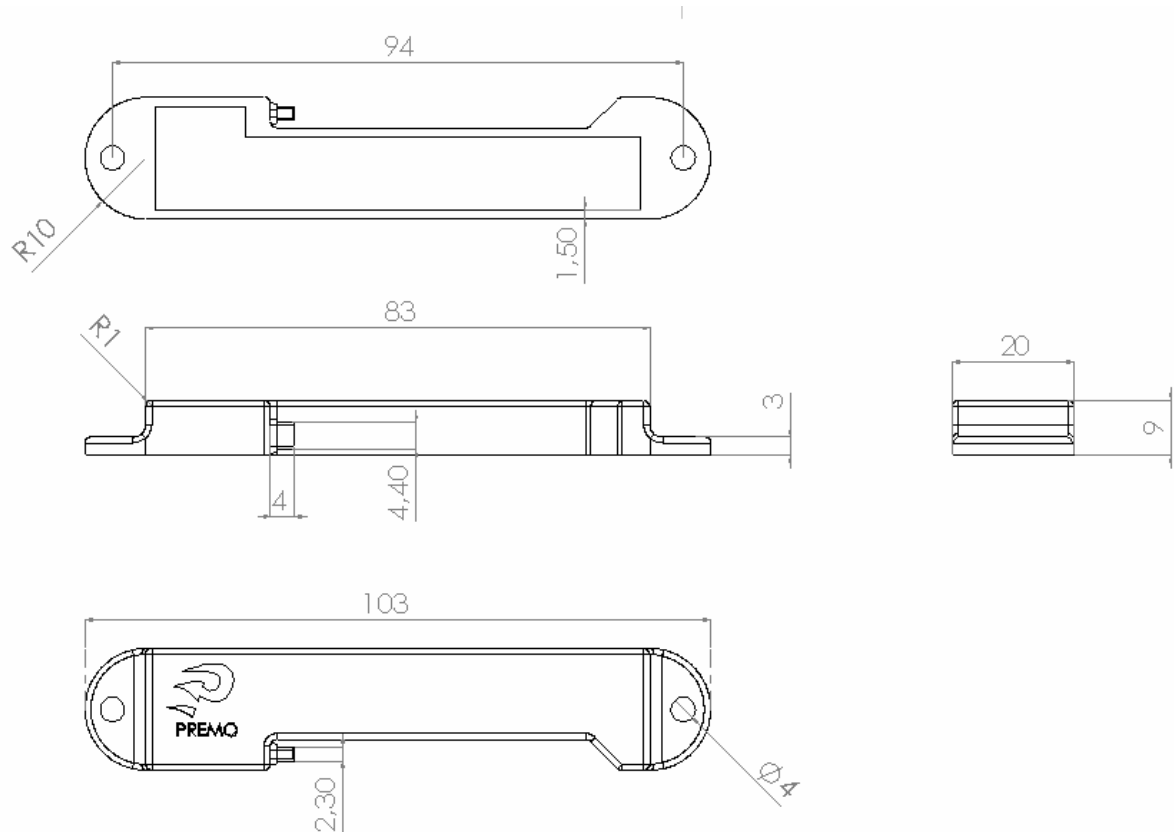


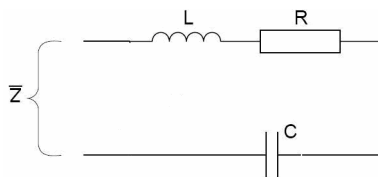
C/Severo Ochoa 33 - Parque Tecnológico de Andalucía. 29590 Campanillas. Málaga (Spain) **Phone** +34 951 231 320 Fax +34 951 231 321
E-mail: info@grupopremo.com Web <http://www.grupopremo.com>

1. Dimensions



All Dimensions in mm
General Tolerances ± 0.1 mm

2. Schematic Diagram



L: Ferrite core coil inductance
R: Copper resistance and connection
C: Tuning internal capacitor NPO
Z: External impedance

KGEA BFCWX

Emitter Antenna 103x20x9mm Housing plastic base-potted and outside connector unsealed&sealed

C/Severo Ochoa 33 - Parque Tecnológico de Andalucía. 29590 Campanillas. Málaga (Spain) **Phone** +34 951 231 320 Fax +34 951 231 321
E-mail: info@grupopremo.com Web <http://www.grupopremo.com>

3. Materials

- Core:** Ferrite Core
- Wire:** Enamelled and Selfbonding copper wire
- Capacitor:** NPO_Polypropylene film
- External housing:** material PA66
- Wall busing:** material silicone.
- Resin:** material epoxy (part fills resin potting)
- Cable:** CSA high temperature automotive sector
- Connector:** Optional Unsealed & Sealed



Remark : Products comply with RoHS requirements

4. Applications and Reliability Tests

Typical Operating Frequency 125KHz \pm 5% [-40°C to 85°C].

Storage Temperature -40 °C \rightarrow +85 °C

Operating Temperature -40 °C \rightarrow +85 °C

This part is according to AEC-Q200 Revision C.

5. Electrical Characteristics

KGEA-BFCWX

| Code | L (mH) | Q min | Freq (KHz) | SRF (Mhz) | Length (mm) | Width (mm) | Height (mm) |
|--------------------|--------|-------|------------|-----------|-------------|------------|-------------|
| KGEA-BFCWX-A-0161J | 0.161 | 45 | 21.85 | >1 | 103 | 20 | 9 |
| KGEA-BFCWX-A-0422J | 0.422 | 55 | 21.85 | >1 | | | |
| KGEA-BFCWX-B-0108J | 0.108 | 90 | 125 | >3 | | | |
| KGEA-BFCWX-B-0240J | 0.240 | 100 | 125 | >3 | | | |
| KGEA-BFCWX-B-0345J | 0.345 | 115 | 125 | >3 | | | |
| KGEA-BFCWX-B-0500J | 0.500 | 115 | 125 | >3 | | | |
| KGEA-BFCWX-C-0207J | 0.207 | 100 | 134,2 | >3 | | | |
| KGEA-BFCWX-C-0426J | 0.426 | 100 | 134,2 | >3 | | | |

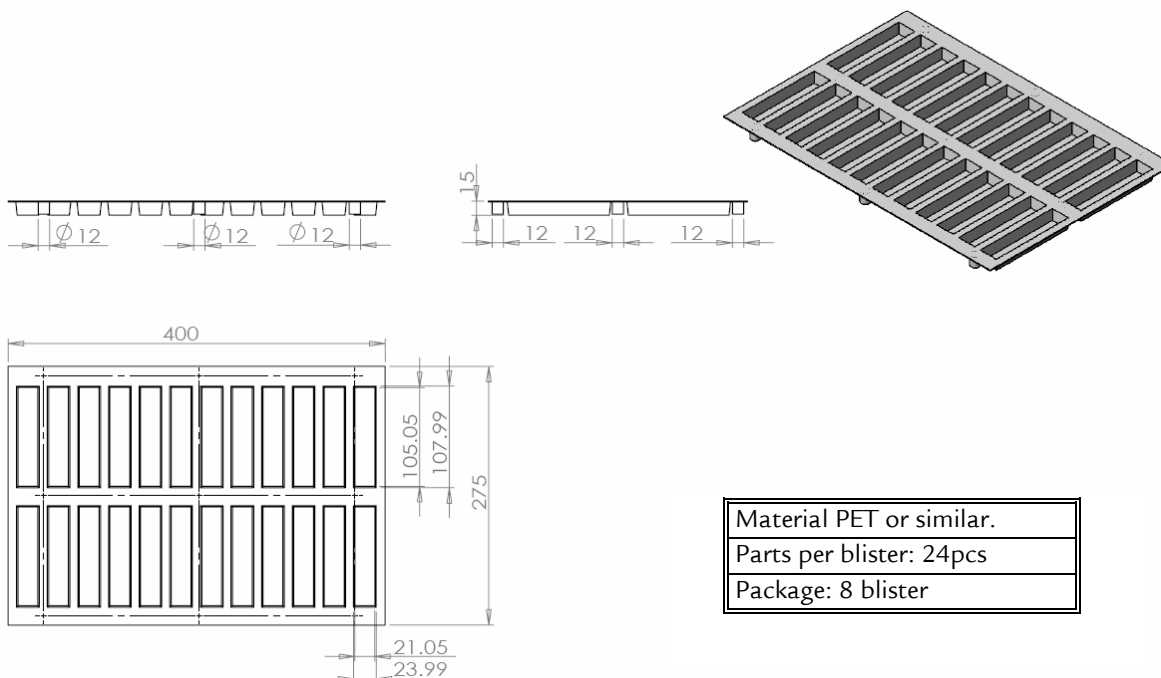
KGEA BFCWX

Emitter Antenna 103x20x9mm Housing plastic base-potted and outside connector unsealed&sealed

C/Severo Ochoa 33 - Parque Tecnológico de Andalucía. 29590 Campanillas. Málaga (Spain) **Phone** +34 951 231 320 **Fax** +34 951 231 321
E-mail: info@grupopremo.com Web <http://www.grupopremo.com>

6. Packaging Information

BLISTER SPECIFICATION



All Dimensions in mm

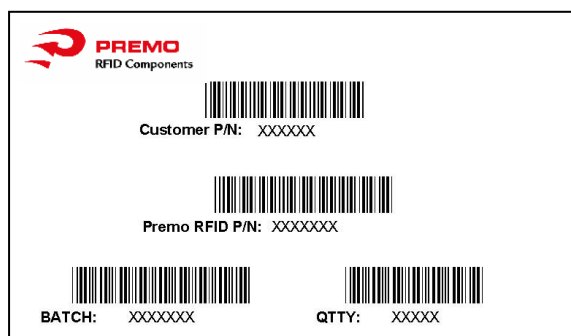
7.- Printing and Labelling

PART PRINTING

PART NUMBER

BATCH/DATE

PACKAGE LABELLING



| Edition | Revision Date |
|---------|---------------|
| 1 | 13/05/09 |