



MASTER INSTRUMENT CORPORATION

SINGLE-PHASE BRIDGE RECTIFIER
KBPC1505WN THRU KBPC1510WN

VOLTAGE RANGE 50 to 1000 Volts
CURRENT 15 Amperes

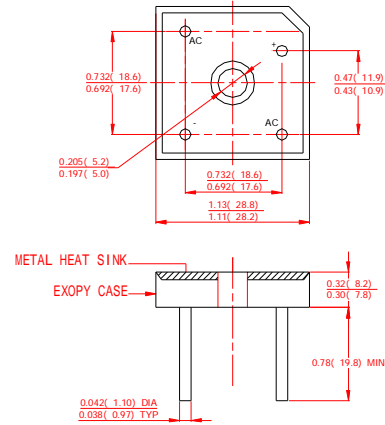
FEATURES

- I Low cost
- I This series is UL recognized under component index, file number E127707
- I High forward surge current capability
- I Integrally molded heatsink provide very low thermal resistance
- I High isolation voltage from case to lugs
- I High temperature soldering guaranteed: 260°C/10 second, at 5 lbs. (2.3kg) tension.

MECHANICAL DATA

- I Case: Molded plastic body
- I Terminal: Lead solderable per MIL-STD-202E method 208C.
- I Polarity: Polarity symbols molded on case
- I Mounting: Thru hole for #6 screw, 5.0 in.-lbs torque max.
- I Weight: 0.47ounce, 13.4 grams

BR-35WN



Dimensions in inches and (millimeters)

MAXIMUM RATINGS AND ELECTRICAL CHARACTERISTICS

Ratings at 25°C ambient temperature unless otherwise specified.
 Single phase, half wave, 60Hz, resistive or inductive load.
 For capacitive load derate current by 20%.

	SYMBOLS	KBPC 15005WN	KBPC 1501WN	KBPC 1502WN	KBPC 1504WN	KBPC 1506WN	KBPC 1508WN	KBPC 1510WN	UNITS	
Maximum Repetitive Peak Reverse Voltage	V _{RRM}	50	100	200	400	600	800	1000	Volts	
Maximum RMS Voltage	V _{RMS}	35	70	140	280	420	560	700	Volts	
Maximum DC Blocking Voltage	V _{DC}	50	100	200	400	600	800	1000	Volts	
Maximum Average Forward Rectified Output Current, at T _C =55°C (Note 1, 2)	I _(AV)	15							Amps	
Peak Forward Surge Current 8.3ms single half sine-wave superimposed on rated load (JEDEC Method)	I _{FSM}	300							Amps	
Rating for Fusing (t<8.3ms)	I ² T	373							A ² S	
Maximum Instantaneous Forward Voltage at 7.5A	V _F	1.1							Volts	
Maximum DC Reverse Current at rated DC blocking voltage	I _R	T _A =25°C	10							μAmps
		T _A =150°C	1.0							mAmps
Isolation Voltage from case to lug	V _{ISO}	2500							V _{AC}	
Typical Thermal Resistance (Note 1,2)	R _{θJC}	2.0							°C/W	
Operating Temperature Range	T _J	-55 to +150							°C	
Storage Temperature Range	T _{STG}	-55 to +150							°C	

NOTES:

1. Unit mounted on 5"×4"×3" thick (12.8mm×10.2mm×7.3mm) Al. plate.
2. Bolt down on heat-sink with silicone thermal compound between bridge and mounting surface for maximum heat transfer efficiency with #10 screw.



MASTER INSTRUMENT CORPORATION

SINGLE-PHASE BRIDGE RECTIFIER
KBPC1505WN THRU KBPC1510WN

VOLTAGE RANGE 50 to 1000 Volts
CURRENT 15 Amperes

RATINGS AND CHARACTERISTIC CURVES KBPC1505WN THRU KBPC1510WN

