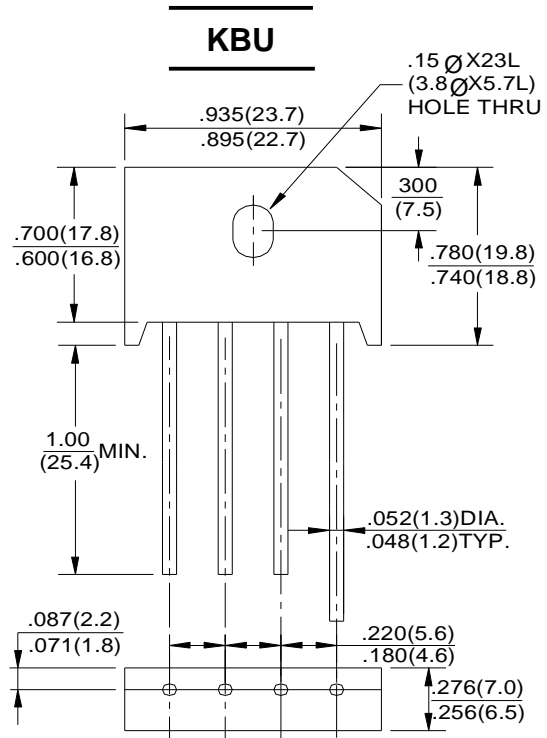


SILICON BRIDGE RECTIFIERS

REVERSE VOLTAGE - 50 to 1000Volts
FORWARD CURRENT - 4 / 6 / 8 Amperes

FEATURES

- Surge overload rating -150~200 amperes peak
- Ideal for printed circuit board
- Reliable low cost construction utilizing molded plastic technique
- Plastic material has UL
- Mounting position: Any
- Mounting torque: 5 In.lb. Max



Dimensions in inches and (millimeters)

MAXIMUM RATINGS AND ELECTRICAL CHARACTERISTICS

Rating at 25°C ambient temperature unless otherwise specified.

Single phase, half wave, 60Hz, resistive or inductive load.

For capacitive load, derate current by 20%

| CHARACTERISTICS | KBU4005 | KBU401 | KBU402 | KBU404 | KBU406 | KBU408 | KBU410 | UNIT |
|---|-------------|--------|--------|--------|--------|--------|--------|------|
| | KBU6005 | KBU601 | KBU602 | KBU604 | KBU606 | KBU608 | KBU610 | |
| | KBU8005 | KBU801 | KBU802 | KBU804 | KBU806 | KBU808 | KBU810 | |
| Maximum Recurrent Peak Reverse Voltage | 50 | 100 | 200 | 40 | 600 | 800 | 1000 | V |
| Maximum RMS Voltage | 35 | 70 | 140 | 280 | 420 | 560 | 700 | V |
| Maximum DC Blocking Voltage | 50 | 100 | 200 | 40 | 600 | 800 | 1000 | V |
| Maximum Average Forward Rectified Output Current at T _c =100°C | | 4.0 | | 6.0 | | | 8.0 | A |
| Peak Forward Surge Current 8.3ms single Half Sine-Wave Super Imposed on Rated Load (JEDEC Method) | KBU4 | 150 | KBU6 | 175 | KBU8 | | 200 | A |
| Maximum Instantaneous Forward Voltage Drop per Element at 4.0A/3.0A/4.0A | | 1.0 | | 1.0 | | | 1.1 | mV |
| Maximum Reverse Leakage at rated DC Blocking Voltage Per Element T _A =25°C | | 10 | | 10 | | | 10 | μA |
| DC Blocking Voltage Per Element T _A =100°C | | 100 | | 200 | | | 300 | mA |
| Operating and Storage Temperature Range T _J .T _{STG} | -55 to +125 | | | | | | | °C |

FIG.1-DERATING CURVE FOR OUTPUT RECTIFIED CURRENT

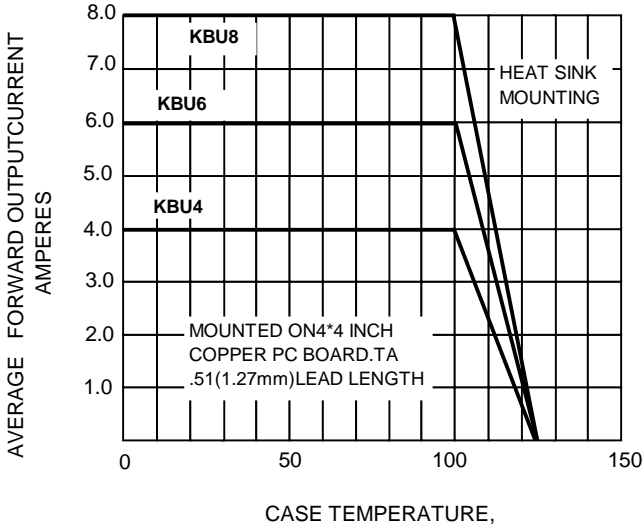


FIG.2 TYPICAL INSTANTANEOUS FORWARD CHARACTERISTIC

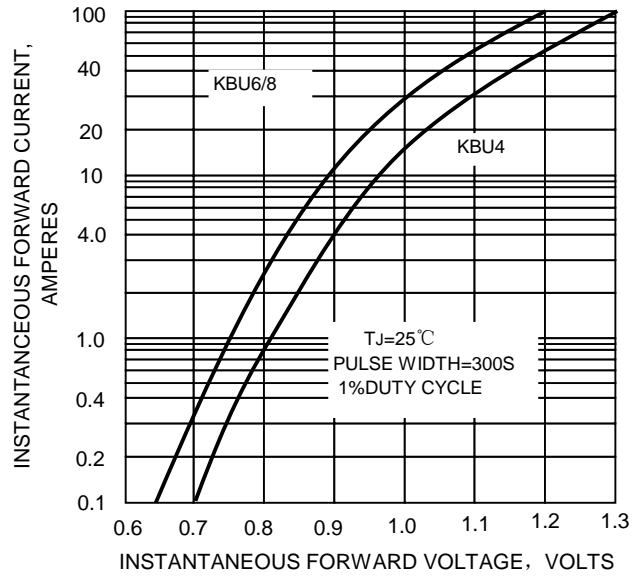


FIG.3-MAXIMUM NON-REPETITIVE PEAK FORWARD SURGE CURRENT

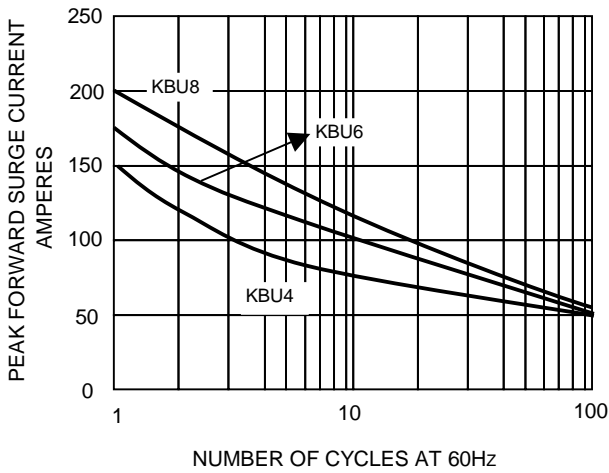


FIG.4-TYPICAL REVERSE CHARACTERISTICS

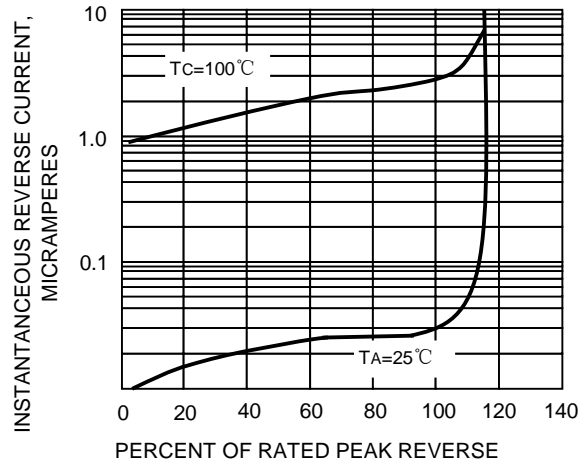


FIG.5-TYPICAL JUNCTION CAPACITANCE PER ELEMENT

