

KGEA BFCAM

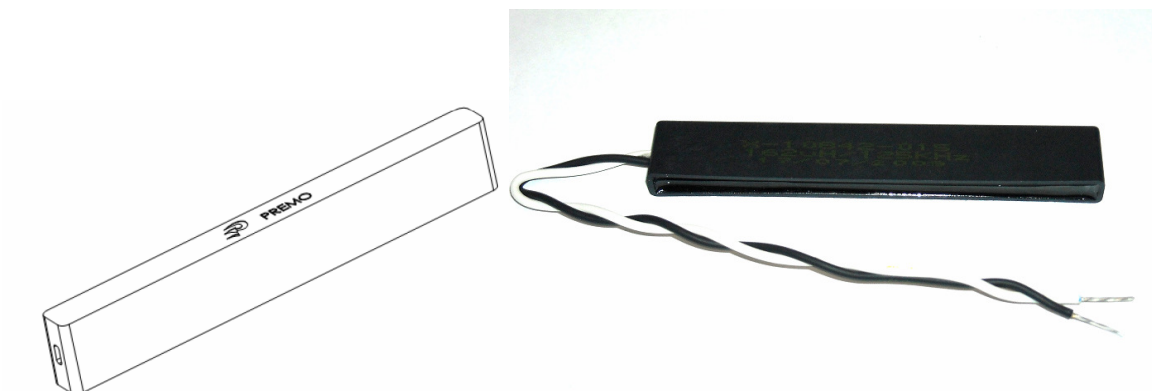
Emitter Antenna Low Profile 85x13x7mm

Housing plastic base-potted and outside connector unsealed & sealed

C/Severo Ochoa 33 - Parque Tecnológico de Andalucía. 29590 Campanillas. Málaga (Spain) Phone +34 951 231 320 Fax +34 951 231 321
E-mail: info@grupopremo.com Web <http://www.grupopremo.com>

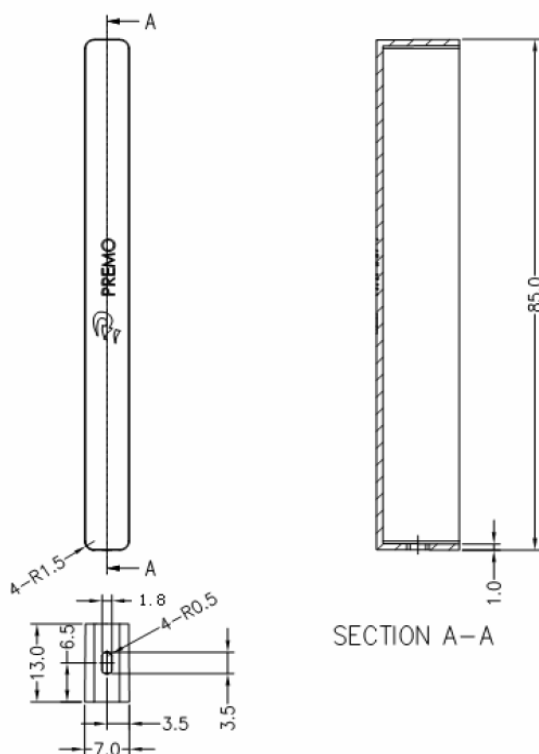
1. Features

- Ideally used access and start Hand Free subsystem for Passive Entry keyless Go System Requirements for automotive application.



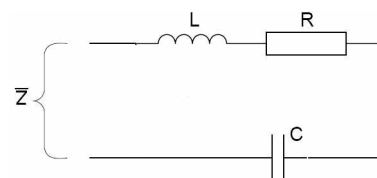
Connector: Optional Unsealed & Sealed

2. Dimensions



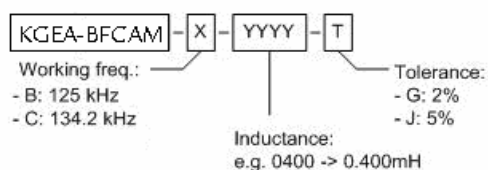
| | |
|---------------|-------------------|
| L > 20mm | tolerance ± 0.5mm |
| 10 < L ≤ 20mm | tolerance ± 0.2mm |
| L ≤ 10mm | tolerance ± 0.1mm |

3. Schematic Diagram



L: Ferrite core coil inductance
R: Copper resistance and connection
C: Tuning internal capacitor NPO
Z: External impedance

4. Nomenclature:



5. Functional Performance:

Typical Operating Frequencies fo: 125 kHz and 134 kHz.

Temperature Range: -40 °C -> +85 °C.

Storage temperature: -40 °C -> +105 °C

Antenna Current: MAX 2.8App, Duty 30%

Tolerances: (fo ± 2% @ 25°C and fo ± 5% @ [-40°C to 85°C])

Products comply with RoHS requirements.

This part is according to AEC-Q200 Revision C.

6. Electrical Characteristics

KGEA-BFCAM

| Code | L (mH) | Q min | Freq (KHz) | SRF Coil (Mhz) | Length (mm) | Width (mm) | Height (mm) |
|--------------------|--------|-------|------------|----------------|-------------|------------|-------------|
| KGEA-BFCAM-B-0345J | 0.345 | 115 | 125 | >3 | 85 | 13 | 7 |
| KGEA-BFCAM-B-0500J | 0.500 | 115 | 125 | >3 | | | |
| KGEA-BFCAM-C-0207J | 0.207 | 100 | 134,2 | >3 | | | |
| KGEA-BFCAM-C-0426J | 0.426 | 100 | 134,2 | >3 | | | |

KGEA BFCAM

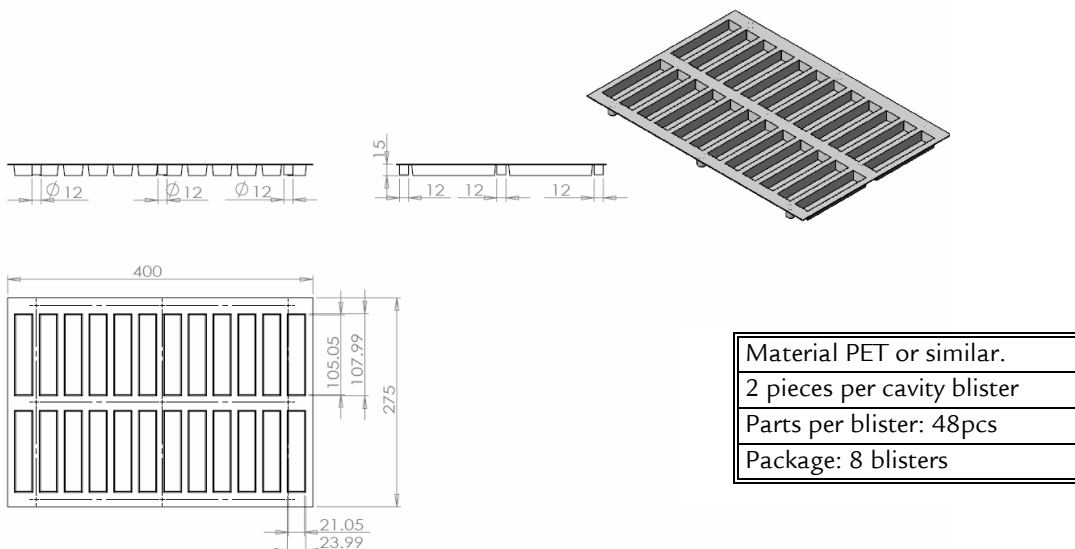
Emitter Antenna Low Profile 85x13x7mm

Housing plastic base-potted and outside connector unsealed & sealed

C/Severo Ochoa 33 - Parque Tecnológico de Andalucía. 29590 Campanillas. Málaga (Spain) **Phone** +34 951 231 320 **Fax** +34 951 231 321
E-mail: info@grupopremo.com Web <http://www.grupopremo.com>

7. Packaging information

BLISTER SPECIFICATION (All Dimensions in mm)



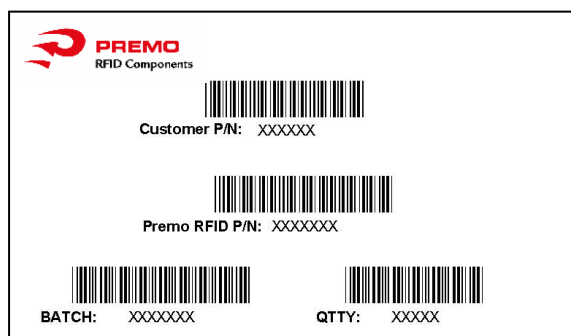
8.- Printing and Labelling

PART PRINTING

PART NUMBER

BATCH/DATE

PACKAGE LABELLING



| Edition | Revision Date |
|---------|---------------|
| 1 | 07/08/09 |