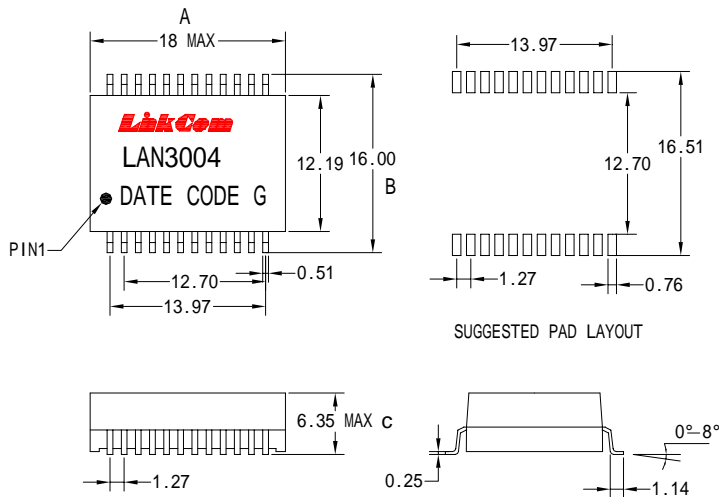


10/100/1000BASE-T Magnetics Module

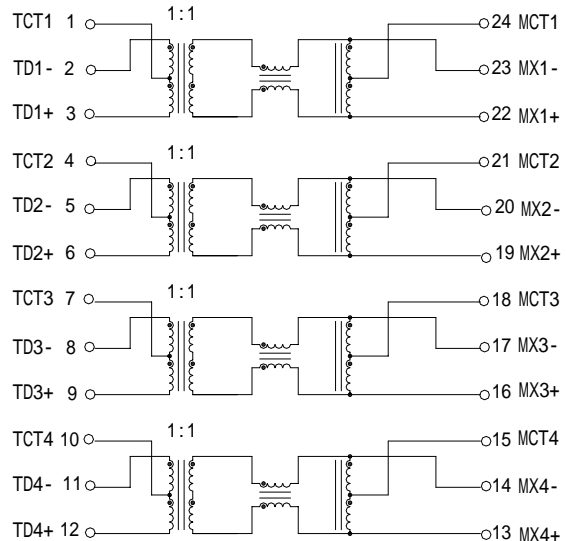
- Meets IEEE 802.3 standard for 1000BASE-T
- RoHS Compliant
- Single port configuration
- Operating Temperature: 0 ~70

| Electrical Specification @25 | | | | |
|------------------------------|--|--------------|------------|------------|
| OCL: | 350uH Min. @100KHz/0.1V with 8mA DC Bias | | | |
| Hi-POT : | 1500Vrms. | | | |
| Turn Ratio: | 1CT:1CT±3% | | | |
| D.C.R: | 1.2ohm Max. | | | |
| Insertion Loss: | 1-100MHz -1.0dB Max. | | | |
| Return Loss: | 1-30MHz | 40-50MHz | 60-80MHz | 100MHz |
| | -18dB Min. | -13.0dB Min. | -12dB Min. | -10dB Min. |
| D.C.M.R. : | 30MHz | 60MHz | 100MHz | |
| | -40dB Min. | -35dB Min. | -30dB Min. | |
| Cross Talk : | 30MHz | 60MHz | 100MHz | |
| | -45dB Min. | -40dB Min. | -35dB Min. | |

Dimensions



Schematic



Units: mm

Unless otherwise specified, all tolerances are ±0.25