

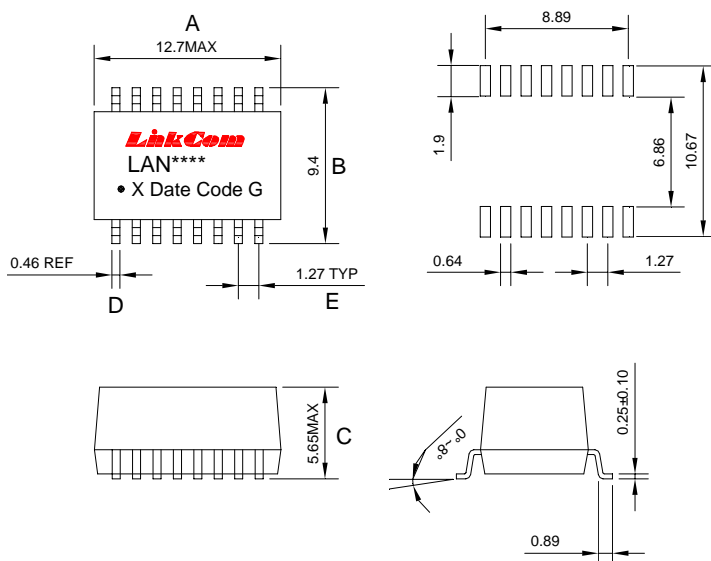
10/100BASE-Tx Power over Ethernet (PoE) Magnetics Module

- Meets IEEE 802.3af standard
- RoHS Compliant
- Single port configuration
- Designed for IP phone or switch applications
- Operating Temperature: -40°C ~+85°C

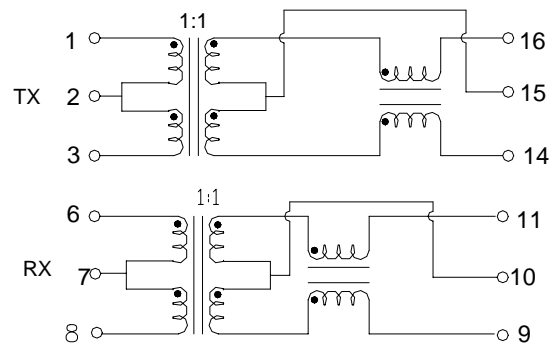
Electrical Specification @25°C

OCL:	350uH Min. @100KHz/0.1V with 8mA DC Bias			
Hi-POT :	1500Vrms.			
Turn Ratio:	1CT:1CT±3%			
D.C.R:	0.9ohm Max.			
Insertion Loss:	0.1MHz		1-100MHz	
	-1.2dB Max.		-1.0dB Max.	
Return Loss:	0.1-30MHz	40-50MHz	60-80MHz	100MHz
	-16dB Min.	-13dB Min.	-11dB Min.	-10dB Min.
D.C.M.R. :	2MHz	30MHz	60MHz	100MHz
	-50dB Min.	-43dB Min.	-37dB Min.	-32dB Min.
Cross Talk :	1MHz	10MHz	30MHz	60MHz
	-50dB Min.	-55dB Min.	-45dB Min.	-38dB Min.
			100MHz	-33dB Min.

Dimensions



Schematic



Mark

1. LAN****----LAN2005
2. X----PRODUCT LINE
3. DATE CODE----YYWW
4. G----RoHS

Units: mm
Unless otherwise specified, all tolerances are ±0.25