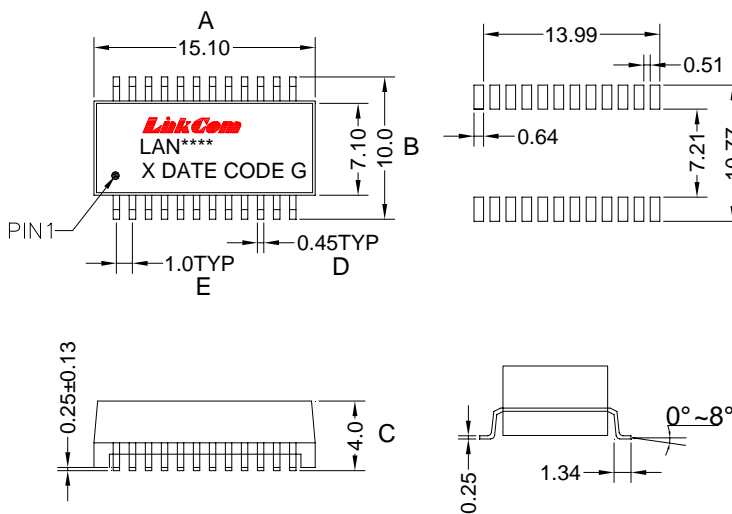


10/100/1000BASE-T Magnetics Module

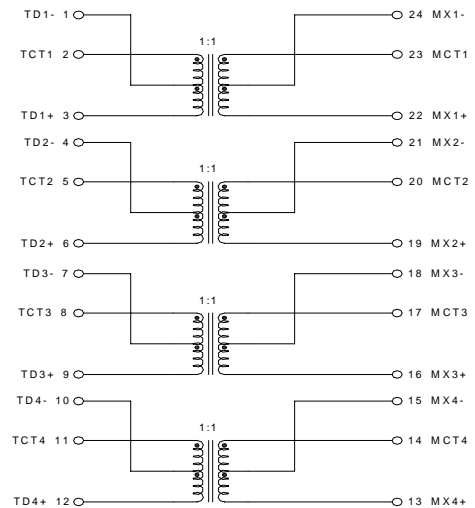
- Meets IEEE 802.3 standard for 1000BASE-T
- RoHS Compliant
- Single port configuration
- Low profile packages for PC card, Carbus and laptop applications
- Operating Temperature: 0°C ~70°C

Electrical Specification @25°C					
OCL:	350uH Min. @100KHz/0.1V with 8mA DC Bias				
Hi-POT :	1500Vrms.				
Turn Ratio:	1CT:1CT±3%				
D.C.R:	0.9 ohm Max.				
Insertion Loss:	1-100MHz: -1.0dB Max.				
Return Loss:	1-30MHz	40MHz	50MHz	60-80MHz	100MHz
	-18dB Min.	-14.4dB Min.	-13.1dB Min.	-12dB Min.	-10dB Min.
D.C.M.R. :	30MHz		60MHz		100MHz
	-40dB Min.		-35dB Min.		-30dB Min.
Cross Talk :	30MHz		60MHz		100MHz
	-45dB Min.		-40dB Min.		-35dB Min.

Dimensions



Schematic



Mark

1. LAN****----LAN5084
2. X----PRODUCT LINE
3. DATE CODE----YYWW
4. G----RoHS

Units: mm
Unless otherwise specified, all tolerances are ±0.25