

Silicon NPN Power Transistors

MJE18002

DESCRIPTION

- With TO-220 package
- High voltage ,high speed

APPLICATIONS

- Designed for use in 220V line-operated switchmode power supplies and electronic light ballast

PINNING

PIN	DESCRIPTION
1	Base
2	Collector
3	Emitter

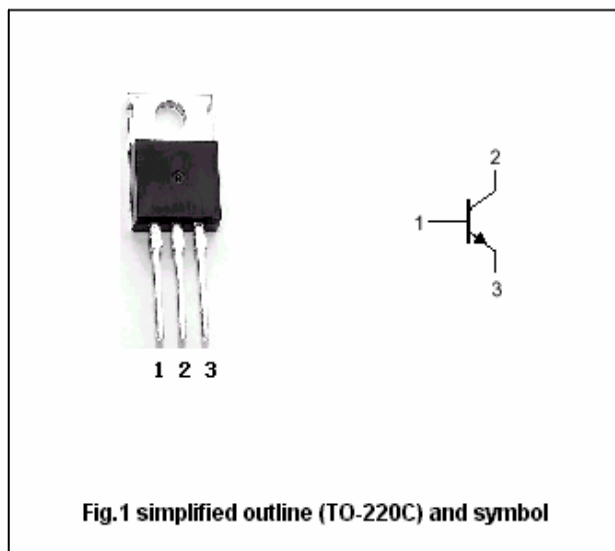


Fig.1 simplified outline (TO-220C) and symbol

ABSOLUTE MAXIMUM RATINGS( $T_c=25^\circ C$ )

SYMBOL	PARAMETER	CONDITIONS	VALUE	UNIT
$V_{CBO}$	Collector-base voltage	Open emitter	1000	V
$V_{CEO}$	Collector-emitter voltage	Open base	450	V
$V_{EBO}$	Emitter-base voltage	Open collector	9	V
$I_C$	Collector current (DC)		2	A
$I_{CM}$	Collector current-Peak		5	A
$I_B$	Base current		0.5	A
$I_{BM}$	Base current-Peak		1.0	A
$P_D$	Total power dissipation	$T_c=25^\circ C$	100	W
$T_j$	Junction temperature		150	$^\circ C$
$T_{stg}$	Storage temperature		-65~150	$^\circ C$

THERMAL CHARACTERISTICS

SYMBOL	PARAMETER	MAX	UNIT
$R_{th j-C}$	Thermal resistance junction to case	1.25	$^\circ C/W$
$R_{th j-A}$	Thermal resistance junction to ambient	62.5	$^\circ C/W$

## Silicon NPN Power Transistors

## MJE18002

## CHARACTERISTICS

T<sub>j</sub>=25°C unless otherwise specified

SYMBOL	PARAMETER	CONDITIONS	MIN	TYP.	MAX	UNIT	
V <sub>CE0(SUS)</sub>	Collector-emitter sustaining voltage	I <sub>C</sub> =0.1A; L=25mH	450			V	
V <sub>CE(sat)-1</sub>	Collector-emitter saturation voltage	I <sub>C</sub> =0.4A ;I <sub>B</sub> =40mA T <sub>C</sub> =125°C			0.5 0.5	V	
V <sub>CE(sat)-2</sub>	Collector-emitter saturation voltage	I <sub>C</sub> =1A ;I <sub>B</sub> =0.2A T <sub>C</sub> =125°C			0.5 0.6	V	
V <sub>BE(sat)-1</sub>	Base-emitter saturation voltage	I <sub>C</sub> =0.4A ;I <sub>B</sub> =40mA			1.1	V	
V <sub>BE(sat)-2</sub>	Base-emitter saturation voltage	I <sub>C</sub> =1A ;I <sub>B</sub> =0.2A			1.25	V	
I <sub>CES</sub>	Collector cut-off current	V <sub>CE</sub> =RatedV <sub>CE</sub> ; V <sub>EB</sub> =0	T <sub>C</sub> =125°C			0.1	mA
						0.5	
		V <sub>CE</sub> =800V				0.1	
I <sub>CEO</sub>	Collector cut-off current	V <sub>CE</sub> =RatedV <sub>CE0</sub> ; I <sub>B</sub> =0			0.1	mA	
I <sub>EBO</sub>	Emitter cut-off current	V <sub>EB</sub> =9V; I <sub>C</sub> =0			0.1	mA	
h <sub>FE-1</sub>	DC current gain	I <sub>C</sub> =0.2A ; V <sub>CE</sub> =5V	14		34		
h <sub>FE-2</sub>	DC current gain	I <sub>C</sub> =0.4A ; V <sub>CE</sub> =1V	11				
h <sub>FE-3</sub>	DC current gain	I <sub>C</sub> =1A ; V <sub>CE</sub> =1V	6				
h <sub>FE-4</sub>	DC current gain	I <sub>C</sub> =10mA ; V <sub>CE</sub> =5V	10				
f <sub>T</sub>	Transition frequency	I <sub>C</sub> =0.5A ; V <sub>CE</sub> =10V;f=1.0MHz		6.5		MHz	
C <sub>OB</sub>	Collector output capacitance	I <sub>E</sub> =0 ; V <sub>CB</sub> =10V;f=1.0MHz		35		pF	

Switching times resistive load,Duty Cycle≤10%,Pulse Width=20μs

t <sub>on</sub>	Turn-on time	V <sub>CC</sub> =300V ,I <sub>C</sub> =0.4A I <sub>B1</sub> =40mA; I <sub>B2</sub> =0.2A		200	300	ns
t <sub>off</sub>	Turn-off time			1.2	2.5	μs
t <sub>on</sub>	Turn-on time	V <sub>CC</sub> =300V ,I <sub>C</sub> =1.0A I <sub>B1</sub> =0.2A; I <sub>B2</sub> =0.5A		85	150	ns
t <sub>off</sub>	Turn-off time			1.7	2.5	μs

Silicon NPN Power Transistors

MJE18002

PACKAGE OUTLINE

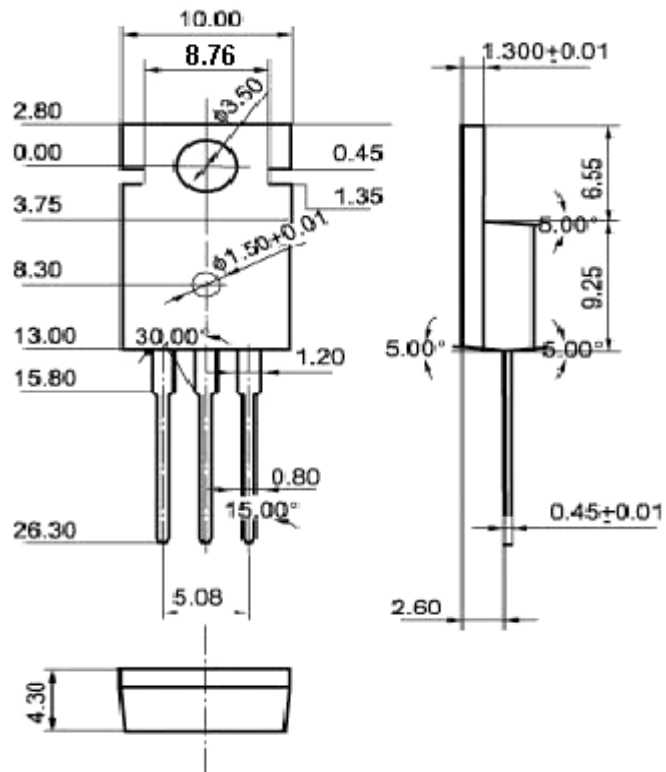


Fig.2 Outline dimensions (unindicated tolerance:±0.10mm)