

MOC8021M, MOC8050M Photodarlington Optocoupler (No Base Connection)

Features

- High BV_{CEO}
 - Minimum 50V (MOC8021M)
 - Minimum 80V (MOC8050M)
- High current transfer ratio:
 - Minimum 1,000% (MOC8021M)
 - Minimum 500% (MOC8050M)
- 500%
- No base connection for improved noise immunity
- Underwriters Laboratory (UL) recognized
File #E90700, Volume 2
- IEC 60747-5-2 approved (ordering option V)

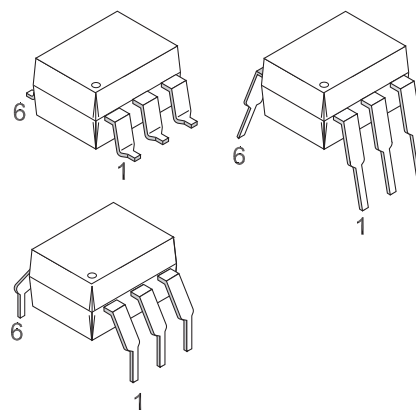
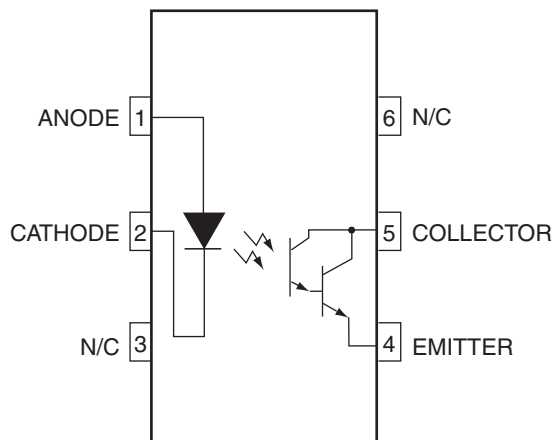
Applications

- Appliances, measuring instruments
- I/O interface for computers
- Programmable controllers
- Portable electronics
- Interfacing and coupling systems of different potentials and impedance
- Solid state relays

Description

The MOC8021M and MOC8050M are photodarlington-type optically coupled optocoupler. The devices have a gallium arsenide infrared emitting diode coupled with a silicon darlington phototransistor.

Schematic



Absolute Maximum Ratings ($T_A = 25^\circ\text{C}$ Unless otherwise specified.)

Stresses exceeding the absolute maximum ratings may damage the device. The device may not function or be operable above the recommended operating conditions and stressing the parts to these levels is not recommended. In addition, extended exposure to stresses above the recommended operating conditions may affect device reliability. The absolute maximum ratings are stress ratings only.

Symbol	Parameter	Value	Units
TOTAL DEVICE			
T_{STG}	Storage Temperature	-55 to +150	$^\circ\text{C}$
T_{OPR}	Operating Temperature	-40 to +100	$^\circ\text{C}$
T_{SOL}	Lead Solder Temperature (Wave solder)	260 for 10 sec	$^\circ\text{C}$
P_D	Total Device Power Dissipation @ $T_A = 25^\circ\text{C}$ Derate above 25°C	250	mW
		2.94	$\text{mW}/^\circ\text{C}$
EMITTER			
I_F	DC/Average Forward Input Current	60	mA
V_R	Reverse Input Voltage	3	V
P_D	LED Power Dissipation @ $T_A = 25^\circ\text{C}$ Derate above 25°C	120	mW
		1.41	$\text{mW}/^\circ\text{C}$
DETECTOR			
V_{CEO}	Collector-Emitter Voltage MOC8021M MOC8050M	50	V
		80	
P_D	Detector Power Dissipation @ $T_A = 25^\circ\text{C}$ Derate above 25°C	150	mW
		1.76	$\text{mW}/^\circ\text{C}$
I_C	Continuous Collector Current	150	mA

Electrical Characteristics ($T_A = 25^\circ\text{C}$ Unless otherwise specified.)**Individual Component Characteristics**

Symbol	Parameter	Test Conditions	Min.	Typ.*	Max.	Unit
EMITTER						
V_F	Input Forward Voltage	$I_F = 10\text{mA}$		1.18	2.00	V
I_R	Reverse Leakage Current	$V_R = 3.0\text{V}$		0.001	10	μA
DETECTOR						
BV_{CEO}	Collector-Emitter Breakdown Voltage MOC8021M MOC8050M	$I_C = 1.0\text{mA}, I_F = 0$	50 80	100 100		V
BV_{ECO}	Emitter-Collector Breakdown Voltage	$I_E = 100\mu\text{A}, I_F = 0$	5	10		V
I_{CEO}	Collector-Emitter Dark Current	$V_{CE} = 60\text{V}, I_F = 0$			1	μA
C_{CE}	Capacitance	$V_{CE} = 0\text{V}, f = 1\text{MHz}$		8		pF

Transfer Characteristics

Symbol	Parameter	Test Conditions	Min.	Typ.*	Max.	Unit
DC CHARACTERISTICS						
CTR	Current Transfer Ratio, Collector to Emitter MOC8021M MOC8050M	$I_F = 10\text{mA}, V_{CE} = 5\text{V}$ $I_F = 10\text{mA}, V_{CE} = 1.5\text{V}$	1,000 500			%
AC CHARACTERISTICS						
t_{on}	Non-Saturated Turn-on Time	$I_F = 5\text{mA}, V_{CC} = 10\text{V},$ $R_L = 100\Omega$		8.5		μs
t_{off}	Turn-off Time	$I_F = 5\text{mA}, V_{CC} = 10\text{V},$ $R_L = 100\Omega$		95		μs

Isolation Characteristics

Symbol	Characteristic	Test Conditions	Min.	Typ.	Max.	Units
V_{ISO}	Input-Output Isolation Voltage	$f = 60\text{Hz}, t = 1 \text{ sec.}$	7500			Vac(pk)
R_{ISO}	Isolation Resistance	$V_{I-O} = 500\text{VDC}$	10^{11}			Ω
C_{ISO}	Isolation Capacitance	$V_{I-O} = \emptyset, f = 1\text{MHz}$		0.2	2	pF

Note:*Typical values at $T_A = 25^\circ\text{C}$

Typical Performance Curves

Fig. 1 LED Forward Voltage vs. Forward Current

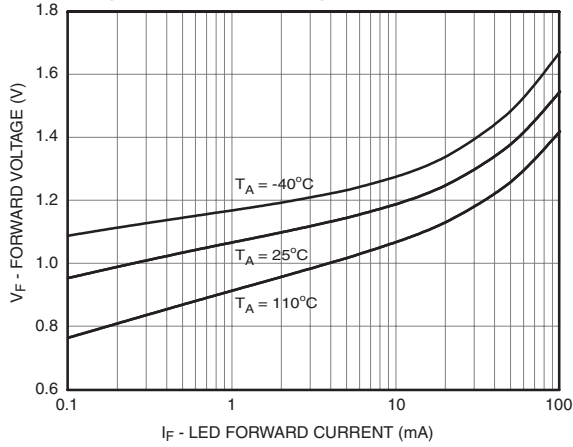


Fig. 2 Normalized CTR vs. Forward Current

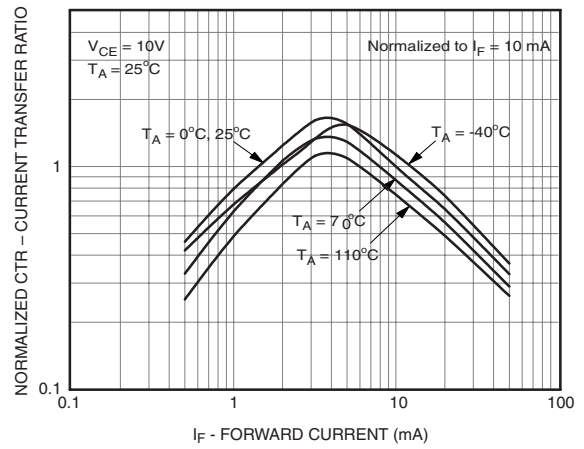


Fig. 3 Normalized CTR vs. Ambient Temperature

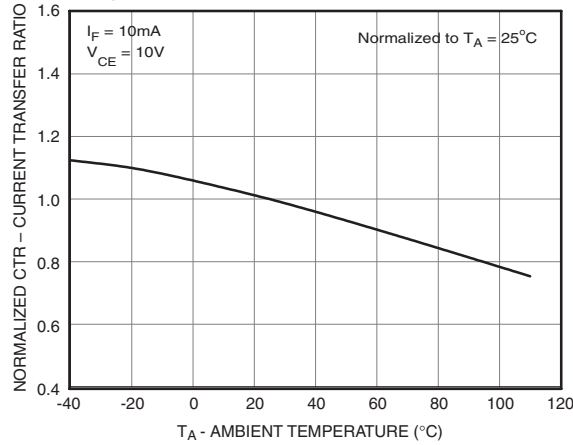


Fig. 4 Turn-on Time vs. Forward Current

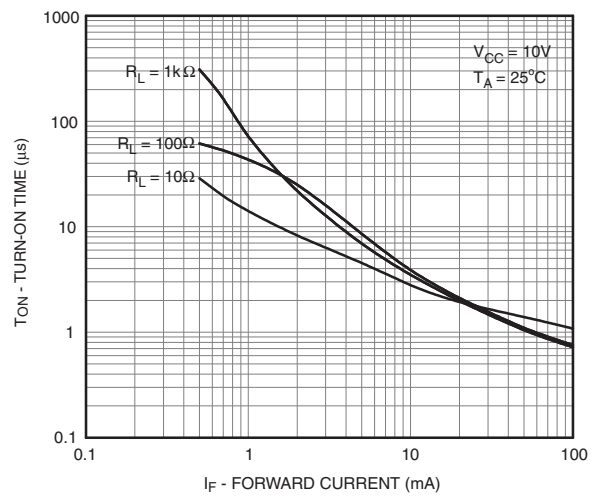


Fig. 5 Turn-off Time vs. Forward Current

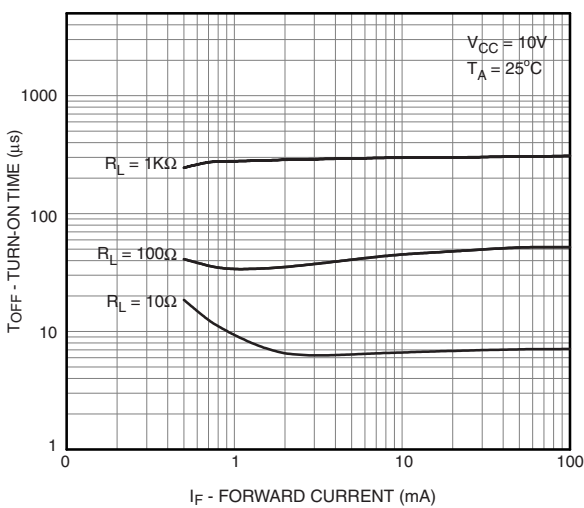
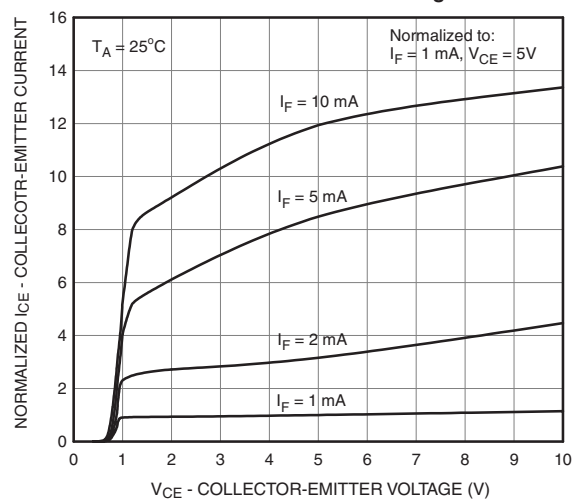


Fig. 6 Normalized Collector-Emitter Current vs. Collector-Emitter Voltage



Typical Performance Curves (Continued)

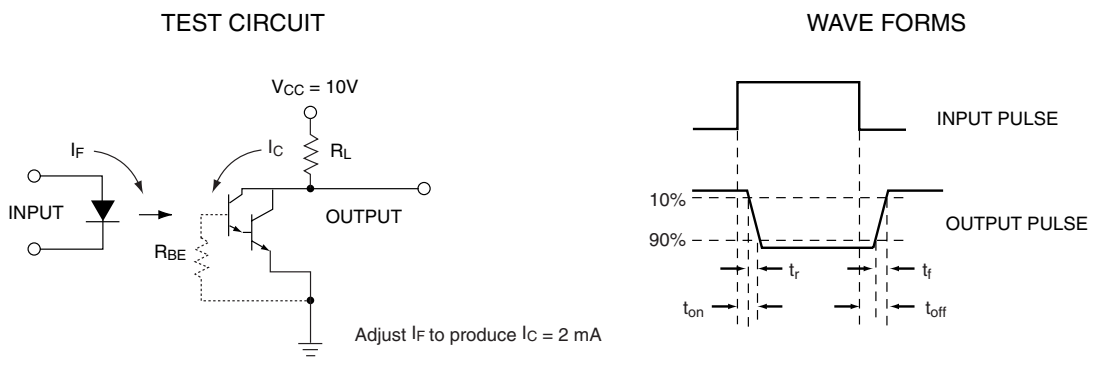
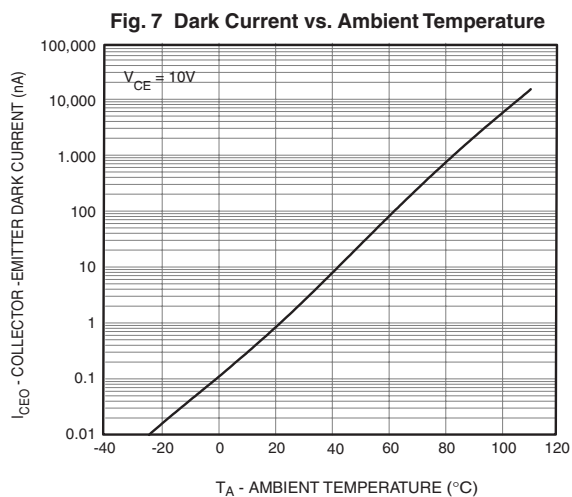
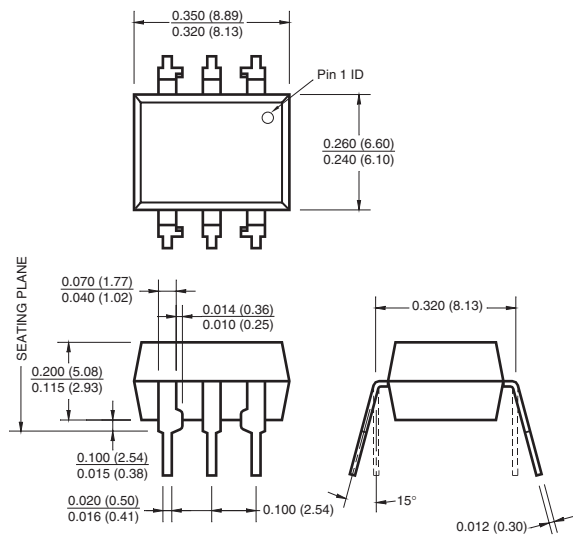


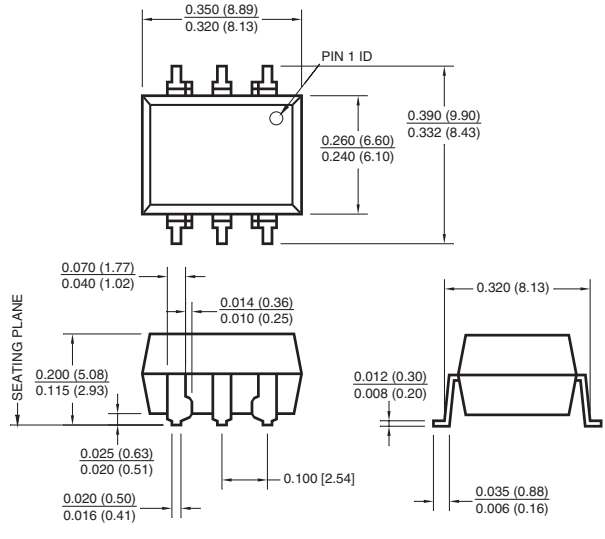
Figure 8. Switching Time Test Circuit and Waveforms

Package Dimensions

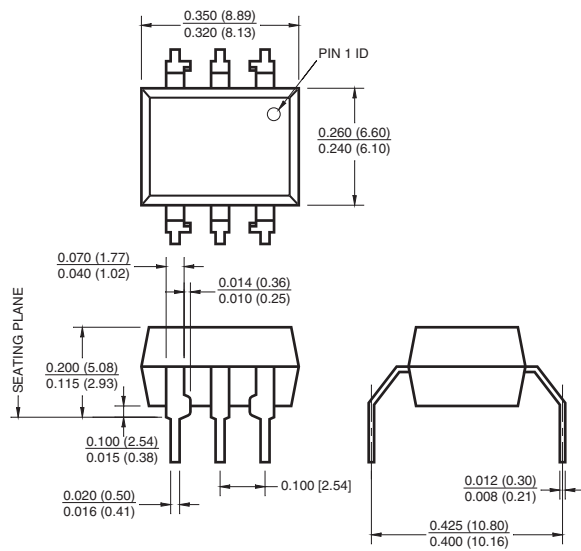
Through Hole



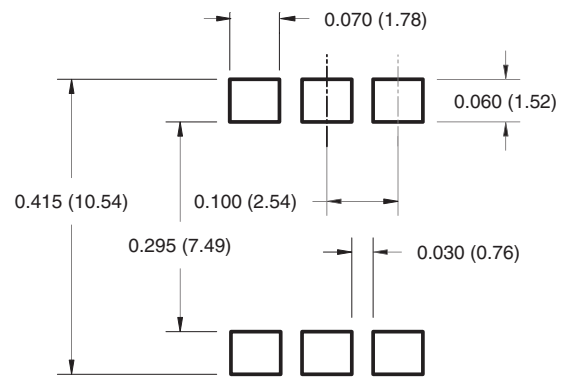
Surface Mount



0.4" Lead Spacing



Recommended Pad Layout for Surface Mount Leadform

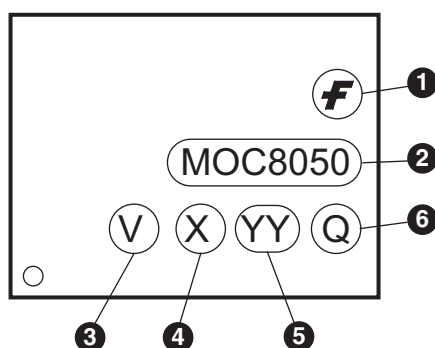


Note:
All dimensions are in inches (millimeters).

Ordering Information

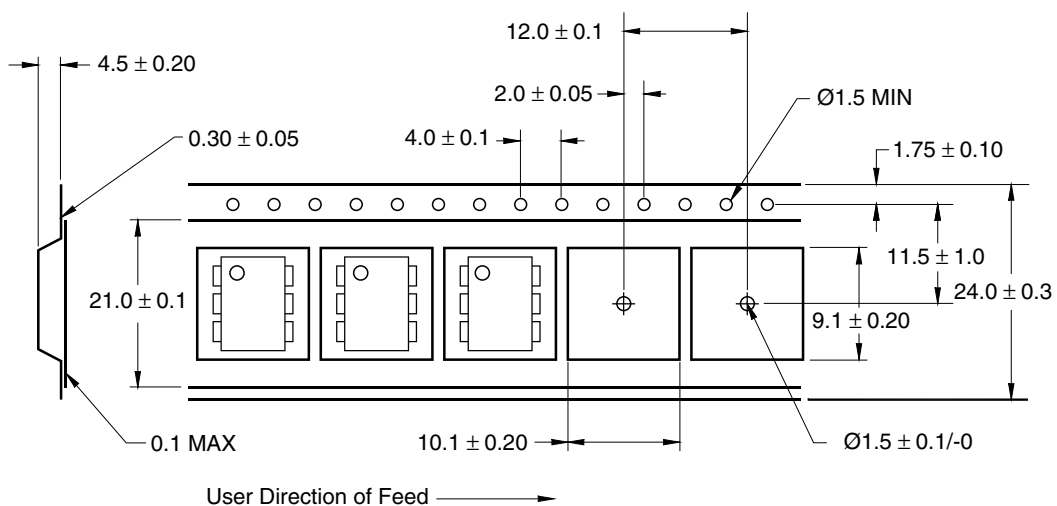
Option	Order Entry Identifier (Example)	Description
No suffix	MOC8050M	Standard Through Hole Device (50 parts per tube)
S	MOC8050SM	Surface Mount Lead Bend
SR2	MOC8050SR2M	Surface Mount; Tape and Reel
T	MOC8050TM	0.4" Lead Spacing
V	MOC8050VM	IEC60747-5-2
TV	MOC8050TVM	IEC60747-5-2, 0.4" Lead Spacing
SV	MOC8050SVM	IEC60747-5-2, Surface Mount
SR2V	MOC8050SR2VM	IEC60747-5-2, Surface Mount, Tape and Reel

Marking Information



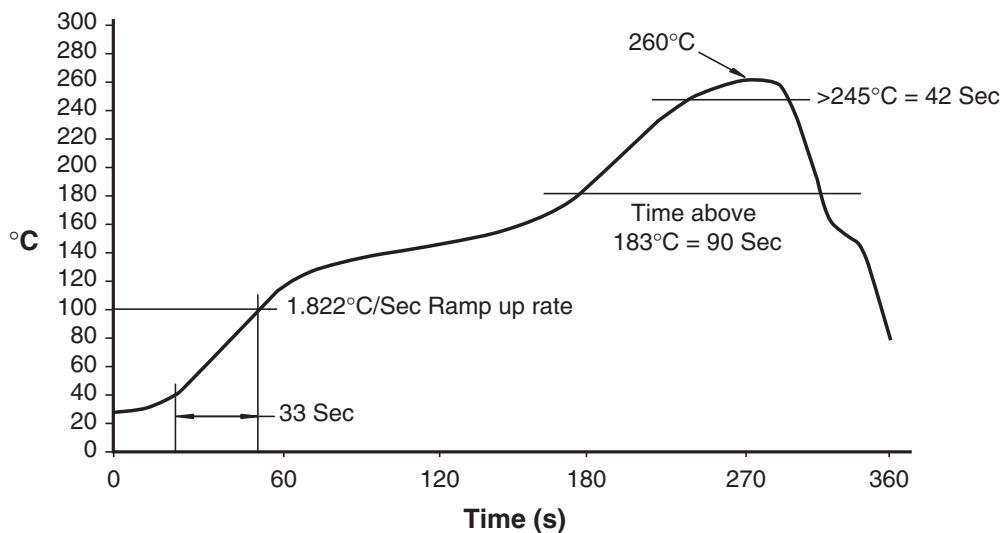
Definitions	
1	Fairchild logo
2	Device number
3	VDE mark (Note: Only appears on parts ordered with VDE option – See order entry table)
4	One digit year code, e.g., '7'
5	Two digit work week ranging from '01' to '53'
6	Assembly package code

Tape Dimensions



Note:
All dimensions are in millimeters.

Reflow Soldering Profile





TRADEMARKS

The following are registered and unregistered trademarks and service marks Fairchild Semiconductor owns or is authorized to use and is not intended to be an exhaustive list of all such trademarks.

- | | | | |
|--------------------------------------|--|--|----------------------------------|
| ACEx [®] | Green FPS [™] | Power247 [®] | SuperSOT [™] -8 |
| Build it Now [™] | Green FPS [™] e-Series [™] | POWEREDGE [®] | SyncFET [™] |
| CorePLUS [™] | GTO [™] | Power-SPM [™] | The Power Franchise [®] |
| CROSSVOLT [™] | <i>i-Lo</i> [™] | PowerTrench [®] | the power [®] |
| CTL [™] | IntelliMAX [™] | Programmable Active Droop [™] | franchise |
| Current Transfer Logic [™] | ISOPLANAR [™] | QFET [®] | TinyBoost [™] |
| EcoSPARK [®] | MegaBuck [™] | QS [™] | TinyBuck [™] |
| F [®] | MICROCOUPLER [™] | QT Optoelectronics [™] | TinyLogic [®] |
| Fairchild [®] | MicroFET [™] | Quiet Series [™] | TINYOPTO [™] |
| Fairchild Semiconductor [®] | MicroPak [™] | RapidConfigure [™] | TinyPower [™] |
| FACT Quiet Series [™] | MillerDrive [™] | SMART START [™] | TinyPWM [™] |
| FACT [®] | Motion-SPM [™] | SPM [®] | TinyWire [™] |
| FAST [®] | OPTOLOGIC [®] | STEALTH [™] | µSerDes [™] |
| FastvCore [™] | OPTOPLANAR [®] | SuperFET [™] | UHC [®] |
| FPS [™] | [®] | SuperSOT [™] -3 | UniFET [™] |
| FRFET [®] | PDP-SPM [™] | SuperSOT [™] -6 | VCX [™] |
| Global Power Resource SM | Power220 [®] | | |

DISCLAIMER

FAIRCHILD SEMICONDUCTOR RESERVES THE RIGHT TO MAKE CHANGES WITHOUT FURTHER NOTICE TO ANY PRODUCTS HEREIN TO IMPROVE RELIABILITY, FUNCTION, OR DESIGN. FAIRCHILD DOES NOT ASSUME ANY LIABILITY ARISING OUT OF THE APPLICATION OR USE OF ANY PRODUCT OR CIRCUIT DESCRIBED HEREIN; NEITHER DOES IT CONVEY ANY LICENSE UNDER ITS PATENT RIGHTS, NOR THE RIGHTS OF OTHERS. THESE SPECIFICATIONS DO NOT EXPAND THE TERMS OF FAIRCHILD'S WORLDWIDE TERMS AND CONDITIONS, SPECIFICALLY THE WARRANTY THEREIN, WHICH COVERS THESE PRODUCTS.

LIFE SUPPORT POLICY

FAIRCHILD'S PRODUCTS ARE NOT AUTHORIZED FOR USE AS CRITICAL COMPONENTS IN LIFE SUPPORT DEVICES OR SYSTEMS WITHOUT THE EXPRESS WRITTEN APPROVAL OF FAIRCHILD SEMICONDUCTOR CORPORATION.

As used herein:

- Life support devices or systems are devices or systems which, (a) are intended for surgical implant into the body or (b) support or sustain life, and (c) whose failure to perform when properly used in accordance with instructions for use provided in the labeling, can be reasonably expected to result in a significant injury of the user.
- A critical component in any component of a life support, device, or system whose failure to perform can be reasonably expected to cause the failure of the life support device or system, or to affect its safety or effectiveness.

PRODUCT STATUS DEFINITIONS

Definition of Terms

Datasheet Identification	Product Status	Definition
Advance Information	Formative or In Design	This datasheet contains the design specifications for product development. Specifications may change in any manner without notice.
Preliminary	First Production	This datasheet contains preliminary data; supplementary data will be published at a later date. Fairchild Semiconductor reserves the right to make changes at any time without notice to improve design.
No Identification Needed	Full Production	This datasheet contains final specifications. Fairchild Semiconductor reserves the right to make changes at any time without notice to improve design.
Obsolete	Not In Production	This datasheet contains specifications on a product that has been discontinued by Fairchild Semiconductor. The datasheet is printed for reference information only.