

A05 IDC SOCKET

PITCH: 2.0mm

SPECIFICATIONS

Material

Insulator : PBT, glass reinforced, rated UL 94V-0

Contact : Phosphor Bronze

Electrical

Current Rating : 1 Amp DC

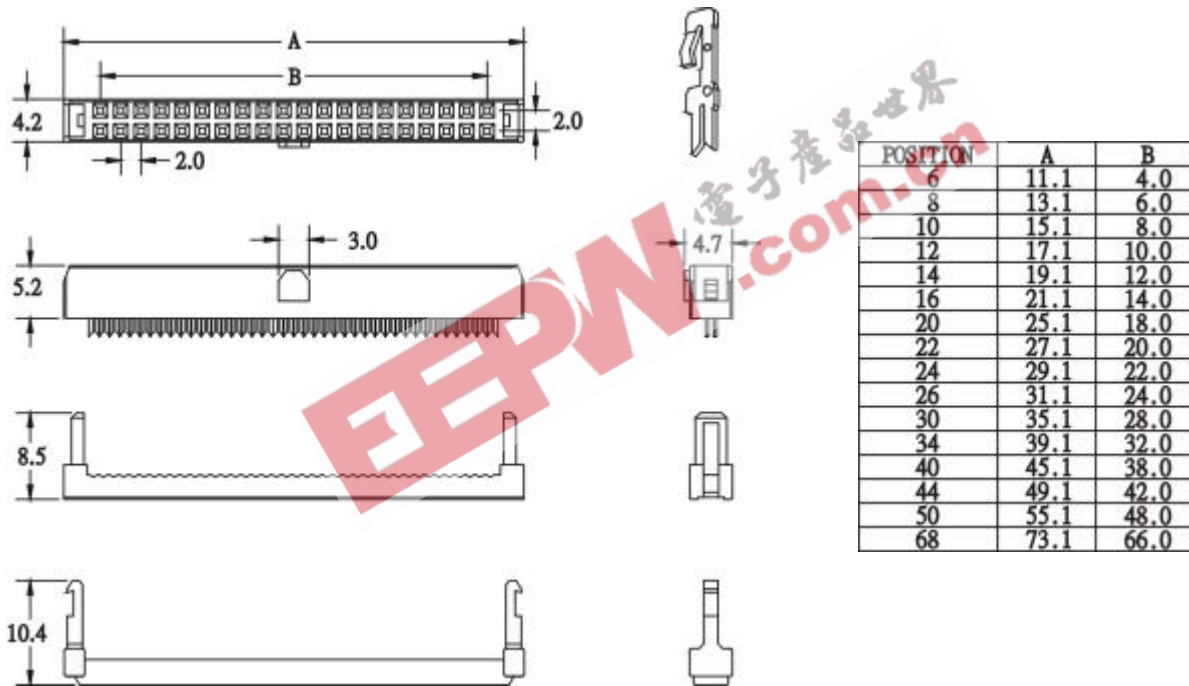
Contact Resistance : 30 mΩ max.

Insulation Resistance : 3000 MΩ min.

Dielectric Withstanding Voltage : 500V AC for 1minute

Operating Temperature : -40°C to +105°C

- Terminated with 1.00mm pitch flat ribbon cable.
- Mating Suggestion : C05, C05a, C06 & C06a series.



HOW TO ORDER:

A05 - 1 - 2 - 3 - 4 - 5

1.NO. OF CONTACT	2.CONTACT MATERIAL	3.CONTACT PLATING	4.SPECIAL FUNCTION	5.INSULATOR COLOR
06 08 10 12 14 16 20 22 24 26 30 34 40 44 50 68	B: PHOSPHOR BRONZE	T: TIN PLATED S: SELECTIVE G: GOLD FLASH A: 5u" INCH GOLD B: 10u" INCH GOLD C: 15u" INCH GOLD D: 30u" INCH GOLD	A: W STRAIN RELIEF W BAR B: W/O STRAIN RELIEF W BAR C: W STRAIN RELIEF W/O BAR D: W/O STRAIN RELIEF W/O BAR	1. BLACK