

# A03

## IDC SOCKET (DUAL BEAM)

PITCH: 2.54mm

### SPECIFICATIONS

#### Material

Insulator : PBT, glass reinforced, rated UL 94V-0

Contact : Phosphor Bronze or Brass

#### Electrical

Current Rating : 1 Amp DC

Contact Resistance : 30 mΩ max.

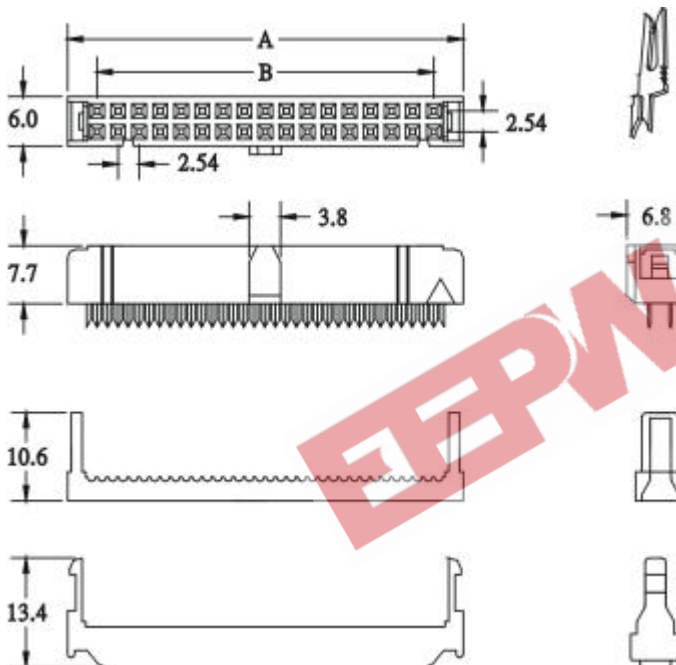
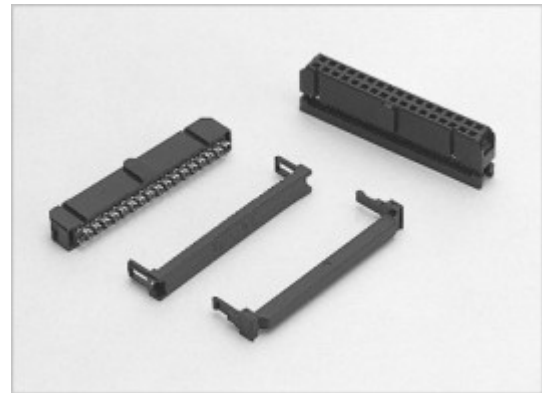
Insulation Resistance : 3000 MΩ min.

Dielectric Withstanding Voltage : 500V AC for 1minute

Operating Temperature : -40°C to +105°C

♦ Terminated with 1.27mm pitch flat ribbon cable.

♦ Mating Suggestion : C03, C04, C17& C18 series.



POSITION	A	B
10	17.28	10.16
14	22.36	15.24
16	24.90	17.78
20	29.98	22.86
26	37.60	30.48
34	47.76	40.64
40	55.38	48.26
50	68.04	60.96

### HOW TO ORDER:

A03 -  1 -  2 -  3 -  4 -  5

1.NO. OF CONTACT	2.CONTACT MATERIAL	3.CONTACT PLATING	4.SPECIAL FUNCTION	5.INSULATOR COLOR
10 14 16 20 26 34 40 50	A: BRASS B: PHOSPHOR BRONZE	T: TIN PLATED S: SELECTIVE G: GOLD FLASH A: 5u" INCH GOLD B: 10u" INCH GOLD C: 15u" INCH GOLD D: 30u" INCH GOLD	A: W STRAIN RELIEF W BAR B: W/O STRAIN RELIEF W BAR C: W STRAIN RELIEF W/O BAR D: W/O STRAIN RELIEF W/O BAR	1. BLACK 2. GREY