

Timers

Delay on Operate

Types A 108, A 101, A 208, A 201



- Time ranges: 0.15 s to 600 s
- Automatic start
- Knob-adjustable time within range
- Oscillator-controlled time circuit
- Repeatability deviation: $\leq 1\%$
- Output: 10 A SPDT or 8 A DPDT relay
- Plug-in type module
- Scantimer housing
- LED-indication for relay on
- AC or DC power supply

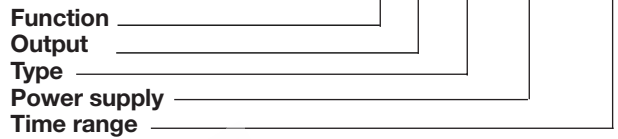
Product Description

Mono-function, plug-in, delay on operate miniature time relays up to 600 s (10 min) covering 3 individual time ranges. These economical

relays can be used to prevent several motors from starting simultaneously due to power supply interruptions.

Ordering Key

A 108 024 600



Type Selection

Plug	Output	Time ranges	Supply: 24 VAC/DC	Supply: 120 VAC	Supply: 220 VAC
Circular 8 pin	SPDT	0.15- 6 s	A 108 024 006	A 108 120 006	A 108 220 006
		1.5 - 60 s	A 108 024 060	A 108 120 060	A 108 220 060
		15 -600 s	A 108 024 600	A 108 120 600	A 108 220 600
Circular 11 pin		0.15- 6 s	A 101 024 006	A 101 120 006	A 101 220 006
		1.5 - 60 s	A 101 024 060	A 101 120 060	A 101 220 060
		15 -600 s	A 101 024 600	A 101 120 600	A 101 220 600
Circular 8 pin	DPDT	0.15- 6 s	A 208 024 006	A 208 120 006	A 208 220 006
		1.5 - 60 s	A 208 024 060	A 208 120 060	A 208 220 060
		15 -600 s	A 208 024 600	A 208 120 600	A 208 220 600
Circular 11 pin		0.15- 6 s	A 201 024 006	A 201 120 006	A 201 220 006
		1.5 - 60 s	A 201 024 060	A 201 120 060	A 201 220 060
		15 -600 s	A 201 024 600	A 201 120 600	A 201 220 600

Time Specifications

Time ranges	0.15- 6 s 1.5 - 60 s 15 - 600 s	Repeatability deviation	$\leq 1\%$
Time range accuracy	0 to +10% on max. min. actual time \leq min. set time	Time variation	Within rated power supply and ambient temperature $\leq 0.05\%/V$ $\leq 0.2\%/^{\circ}C$
		Reset	Power supply interruption ≥ 250 ms
		Time and/or relay	



Output Specifications

	A 108, A 101	A 208, A 201
Output	SPDT relay	DPDT relay
Basic electrical insulation	250 VAC (rms) (contact/electronics)	250 VAC (rms) (contacts/elec., contact/contact)
Contact ratings (Ag-CdO)	μ (micro gap)	μ (micro gap)
Resistive loads	AC 1 10 A/250 VAC (2500 VA) DC 1 1 A/250 VDC (250 W) or 10 A/25 VDC (250 W)	8 A/250 VAC (2000 VA) 0.4 A/250 VDC (100 W) 4 A/25 VDC (100 W)
Small inductive loads	AC 15 2.5 A/230 VAC DC 13 5 A/24 VDC	2.5 A/230 VAC 5 A/24 VDC
Mechanical life	≥ 30 x 10 ⁶ operations	≥ 30 x 10 ⁶ operations
Electrical life	AC 1 ≥ 2.5 x 10 ⁵ operations (at max. load)	≥ 2.5 x 10 ⁵ operations (at max. load)
Operating frequency	≤ 7200 operations/h	≤ 7200 operations/h
Insulation voltages		
Rated insulation voltage	≥ 2.0 kVAC (rms) (contact/electronics)	≥ 2.0 kVAC (rms) (contact/electronics)
Rated transient protection volt.	4 kV (1.2/50 μs) (contact/electronics) (IEC 60664)	4 kV (1.2/50 μs) (contact/electronics) (IEC 60664)

Supply Specifications

Power supply AC types	installation cat. III (IEC 60664)
Rated operational voltage through pins 2 & 10 or pins 2 & 7	220 220 VAC + 15/- 20%, 45 to 65 Hz 120 120 VAC + 15/- 20%, 45 to 65 Hz 024 24 VAC + 15/- 20%, 45 to 65 Hz
Drop out tolerance	≥ 10 ms
Rated insulation voltage	None
Rated transient protection volt.	4 kV (1.2/50 μs) @ 220 VAC 2.5 kV (1.2/50 μs) @ 120 VAC 800 V (1.2/50 μs) @ 24 VAC (line/neutral)
Power supply DC type	Installation cat. III (IEC 60664)
Rated operational voltage 024	24 VDC + 15/- 20% (pin 2 pos.)
Rated insulation voltage	None
Rated transient protection volt.	800 V (1.2/50 μs)
Consumption	
AC supply	60 mA @ 50 Hz/70 mA @ 60 Hz
DC supply	1 W

General Specifications

Power-on delay	≤ 200 ms
Power-off delay	≥ 250 ms
Indication for Output ON	LED, red
Environment	
Polution degree	IP 20 B
Operating temperature	2 (IEC 60664)
Storage temperature	-20° to +50°C (-4° to +122°F)
	-50° to +85°C (-58° to +185°F)
Weight	85 g
Approvals	UL, CSA

Mode of Operation

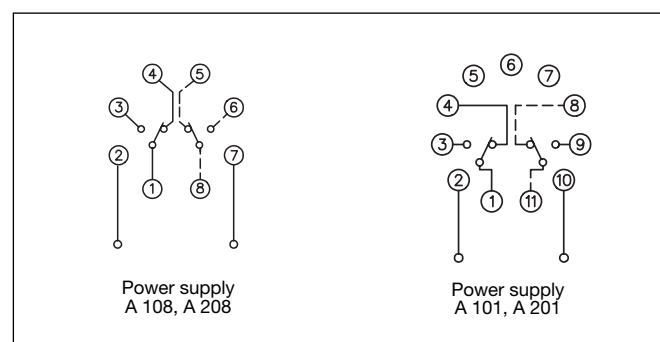
The delay period begins when power supply is applied.

At the end of the set delay, the relay will operate and will not release until power supply is interrupted.

A recovery period of 250 ms should be allowed before re-applying power supply.

If power supply is interrupted for more than 250 ms before the relay operates, the time circuit is reset to zero and the time relay is ready for a new time period.

Wiring Diagrams





Time Setting

Knob-adjustable on scale in seconds.

Accessories

Sockets◊	S 408, S 411
Hold down spring◊	HF
Mounting rack	SM 13
Socket cover	BB4
Potentiometer lock	PL 1

For further information refer to "Accessories".

Operation Diagram

