

C/A-542X ALPHA-NUMERIC DISPLAY


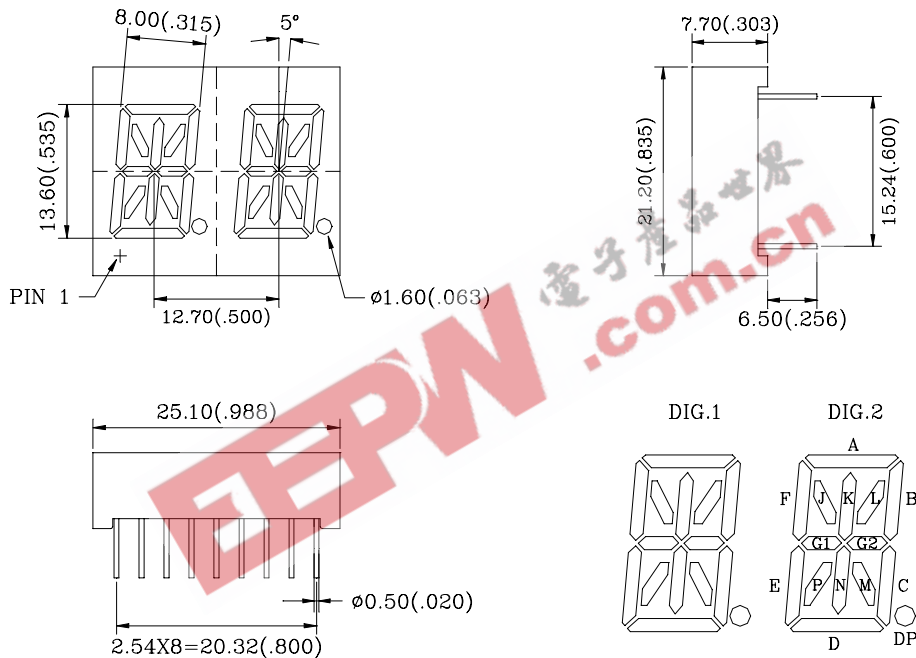
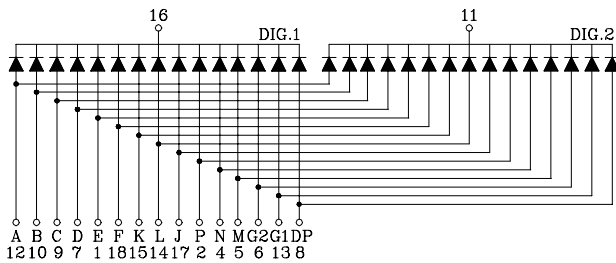
| Shape | Part No. | | Chip | | Wave Length λ_p (nm) | Electro-Optical Characteristics | | | Fig. No. |
|---|----------------|--------------|--------------|---------------|---------------------------------|---------------------------------|------|-------------|----------|
| | Common Cathode | Common Anode | Raw Material | Emitted Color | | Vf(V)20mA | | Iv(ucd)10mA | |
| | | | | | | Typ. | Max. | Typ. | |
|  | C-542H | A-542H | GaP | Red | 700 | 2.1 | 2.8 | 700 | D61 |
| | C-542E | A-542E | GaAsP/GaP | Hi.effi Red | 635 | 2.0 | 2.8 | 2000 | |
| | C-542G | A-542G | GaP | Green | 565 | 2.1 | 2.8 | 2000 | |
| | C-542Y | A-542Y | GaAsP/GaP | Yellow | 585 | 2.1 | 2.8 | 1600 | |
| | C-542SR | A-542SR | GaAlAs | Super Red | 660 | 1.8 | 2.4 | 10000 | |

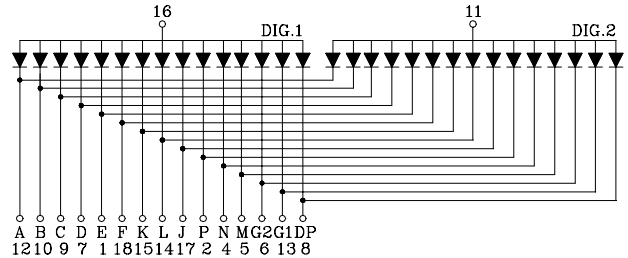
Fig.D61



C-542X



A-542X



- 1.All dimension are in millimeters (inches).
- 2.Tolerance is ± 0.25 mm (0.01") unless otherwise specified.