

A06

HIGH DENSITY IDC SOCKET

PITCH: 1.27mm

SPECIFICATIONS

Material

Insulator : PBT, glass reinforced, rated UL 94V-0

Contact : Phosphor Bronze

Electrical

Current Rating : 1 Amp DC

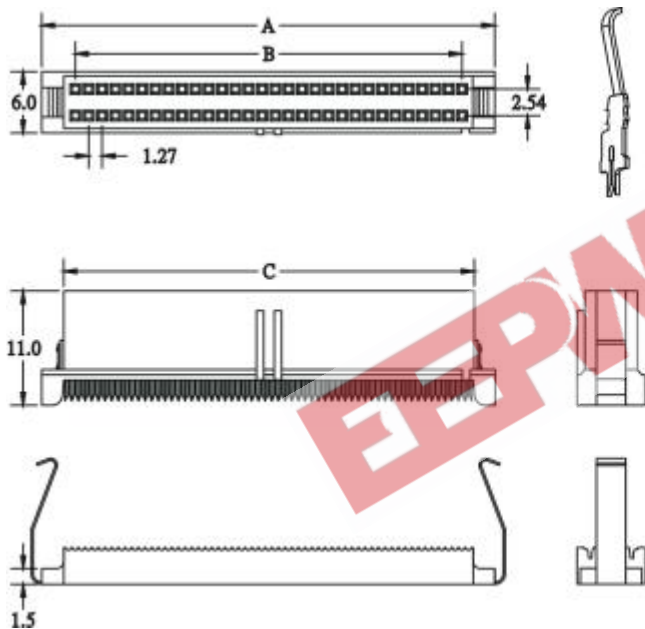
Contact Resistance : 30 mΩ max.

Insulation Resistance : 1000 MΩ min.

Dielectric Withstanding Voltage : 250V AC for 1minute

Operating Temperature : -40℃ to +105℃

- ♦ Terminated with 0.635mm pitch flat ribbon cable.
- ♦ Mating Suggestion : C13, C13a, C14 & C14a series.



10	11.43	5.08	7.43
14	13.97	7.62	9.97
16	15.24	8.89	11.24
20	17.78	11.43	13.78
24	20.32	13.97	16.32
26	21.59	15.24	17.59
30	24.13	17.78	20.13
34	26.67	20.32	22.67
40	30.48	24.13	26.48
44	33.02	26.67	29.02
50	36.83	30.48	32.83
60	43.18	36.83	39.18
64	45.72	39.37	41.72
68	48.26	41.91	44.26
72	50.80	44.45	46.80
80	55.88	49.53	51.88
100	68.58	62.23	64.58

HOW TO ORDER:

A06 - 1 - 2 - 3 - 4

1.NO. OF CONTACT	2.CONTACT MATERIAL	3.CONTACT PLATING	5.INSULATOR COLOR
10 14 16 20 24 26 30 34 40 44 50 60 64 68 72 80 100	B: PHOSPHOR BRONZE	T: TIN PLATED S: SELECTIVE G: GOLD FLASH A: 5u" INCH GOLD B: 10u" INCH GOLD C: 15u" INCH GOLD D: 30u" INCH GOLD	1. BLACK