

# A07 LOW PROFILE HIGH DENSITY IDC SOCKET

PITCH: 1.27mm

## SPECIFICATIONS

### Material

Insulator : PBT, glass reinforced, rated UL 94V-0

Contact : Phosphor Bronze

### Electrical

Current Rating : 1 Amp DC

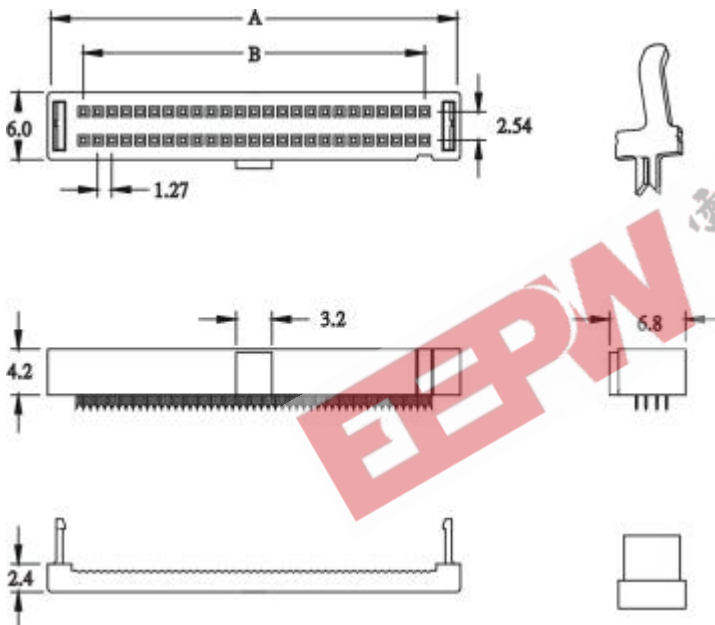
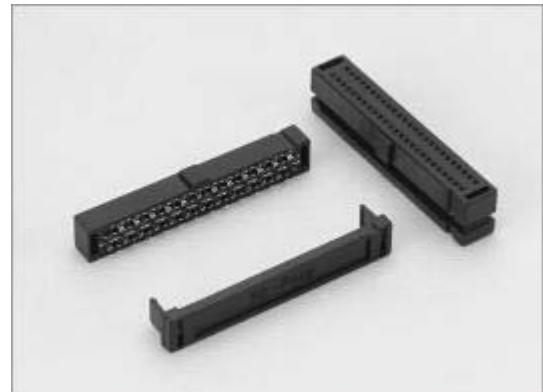
Contact Resistance : 30 mΩ max.

Insulation Resistance : 1000 MΩ min.

Dielectric Withstanding Voltage : 250V AC for 1minute

Operating Temperature : -40°C to +105°C

- Terminated with 0.635mm pitch flat ribbon cable.
- Mating Suggestion : C07, C08 series.



POSITION	A	B
10	11.10	5.08
20	17.45	11.43
30	23.80	17.78
40	30.15	24.13
50	36.50	30.48
60	42.85	36.83
70	49.20	43.18
80	55.55	49.53
90	61.90	55.88
100	68.35	62.23

## HOW TO ORDER:

A07 -  1 -  2 -  3 -  4 -  5

1.NO. OF CONTACT	2.CONTACT MATERIAL	3.CONTACT PLATING	4.SPECIAL FUNCTION	5.INSULATOR COLOR
10 20 30 40 50 60 70 80 90 100	B: PHOSPHOR BRONZE	T: TIN PLATED S: SELECTIVE G: GOLD FLASH A: 5μ" INCH GOLD B: 10μ" INCH GOLD C: 15μ" INCH GOLD D: 30μ" INCH GOLD	B: W/O STRAIN RELIEF W BAR	1. BLACK