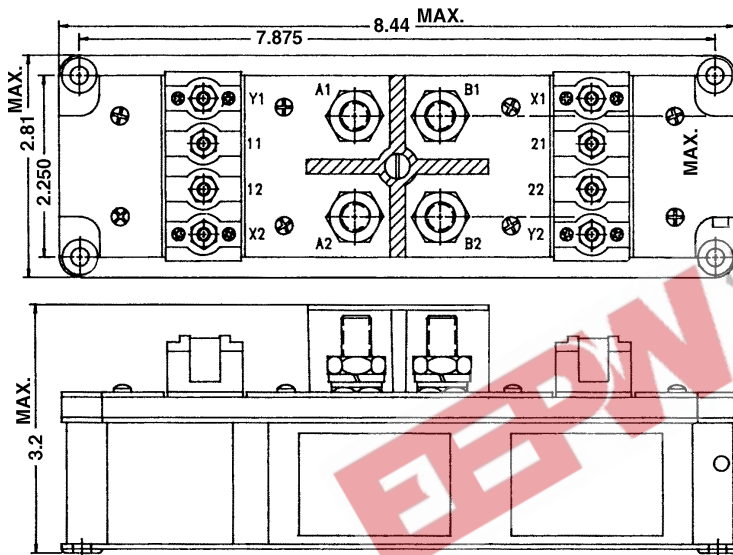


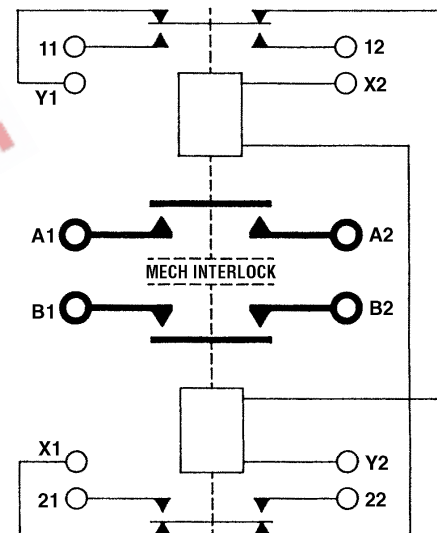
A-1019 2PDT, Center Off, 300 Amps, 28 VDC

- Features:**
- 2PDT Center Off Main Contacts
 - Mechanically Interlocked
 - 28 VDC
 - 300 Amps
 - High Reliability
 - Meets many requirements of MIL-R-6106



Dimensions for this product are expressed in inches.
Multiply values by 25.4 for millimeters.

CONTACTOR CONFIGURATION



Notes:

PRODUCT SPECIFICATIONS	
Construction	Gasket Sealed, Vented
Main Contacts: Configuration Voltage (Nominal) Current (Resistive)	* 2PST Center Off Interlocked 28 VDC 300 Amps
Auxiliary Contacts: Configuration Voltage (Nominal) Current Resistive Inductive	* 2PST Center Off Interlocked 28 VDC 5 Amps 3 Amps
Coil Data: Duty Cycle Voltage (Nominal) Pick-Up Voltage Drop-Out Voltage Coil Current @ 28 VDC & +25°C In-Rush Hold	Continuous 28 VDC 18 VDC Maximum 1 - 7 VDC 0.31 Amps 0.31 Amps
Operating Temperature	-55°C to +71°C
Life: Electrical Mechanical	50,000 Cycles 10,000 Cycles
Weight Maximum	4 Lbs.

For factory-direct application assistance, contact the HARTMAN product team at (419) 521-9500, Fax (419) 526-2749.

© 2004 by Tyco Electronics Corporation. All Rights Reserved.
HARTMAN and TYCO are trademarks.