



GSM/GPRS Digital Baseband Processor For Smartphone and Wireless Handheld Devices

Preliminary Technical Data

AD6528

FEATURES

Complete Single Chip Programmable Digital Baseband Processor divided into three main subsystems:

Control Processor Subsystem including:

- 32-bit MCU ARM7TDMI[®] Control Processor
- On-chip System SRAM Memory

DSP Subsystem including

- 16-bit Fixed Point DSP Processor
- Expanded Data and Program SRAM
- Program Instruction Cache
- Full Rate, Enhanced Full Rate and Half Rate Speech Encoding/Decoding

DMA Subsystem including

- 16/32 channel chaining DMA

Peripheral Functions

- Parallel and Serial Display Interface
- Fast USB slave interface/ Fast IrDA
- SPI slave/master
- MMC/SD-Card support
- Keypad Interface
- FLASH Memory Interface
- Pseudo SRAM support
- 13/26 MHz clock detection
- 1.8V and 3.0V, 64 kbps SIM Interface
- Universal System Connector Interface
- Baseband Converter Interface
- Data Services Interface

Control of Radio Subsystem

- Three independent programmable backlight outputs
- Real Time Clock with Alarm
- Programmable Power and Clock Management
- Slow Clocking Scheme for Low Idle Mode Current
- Power Down modes

- On-chip support for GSM Data Services up to 14.4kbits/sec, Class 12 GPRS, HSCSD

- JTAG Interface for Test and In-Circuit Emulation
- 1.8V Typical Operating Voltage

- Operating Voltage Range 1.7V - 1.9V

- Independent I/O and Memory Voltages

- 160-Ball LFBGA (mini-BGA) package

APPLICATIONS

GSM850/900/DCS1800/PCS1900 Smartphone and Wireless PDA/Handheld Computers

GSM Phase 2 & GPRS Compliant

Full support for Java[™], M-Services, and Multimedia Messaging Services (MMS)

ARM[®] and ARM7TDMI[®] are registered trademarks of ARM Limited
SoftFone[®] is a trademark of Analog Devices, Inc. Java[™] is a trademark of Sun Microsystems, Inc.

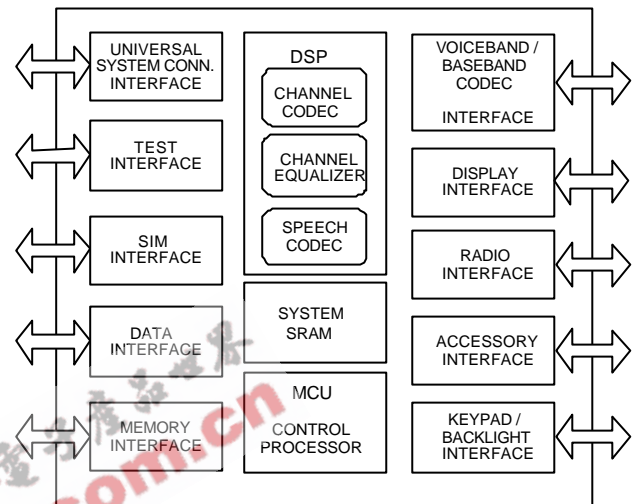


FIGURE 1. AD6528 FUNCTIONAL BLOCK DIAGRAM

GENERAL DESCRIPTION

The AD6528 is the third device in the Analog Devices AD20msp430 series of SoftFone[®] GSM Baseband Processors. The AD6528 is intended for use in feature-rich Smartphone and Wireless PDA/handheld computer applications with GSM/GPRS connectivity. It is designed to interface easily to an application processor in such systems.

The AD6528 integrates full rate, enhanced full rate and half rate speech codecs as well as a full range of data services including circuit-switched 14.4kb/s, GPRS to Class 12, and HSCSD. In addition, it supports A5/1 and A5/2 encryption algorithms as well as operation in non-encrypted mode.

The highly programmable architecture and sophisticated internal communication channels of the AD6528 offer maximum flexibility to system designers. It can adapt to tighter requirements led by changes in standards and multi-standard handset implementation.

A complete data sheet is available under Non-Disclosure Agreement to pre-qualified developers of GSM/GPRS terminal equipment. Contact your local Analog Devices Sales Office.

Rev. PrA

This information applies to a product under development. Its characteristics and specifications are subject to change without notice. Analog Devices assumes no obligation regarding future manufacture unless otherwise agreed to in writing. No responsibility is assumed by Analog Devices for its use; nor for any infringements of patents or other rights of third parties that may result from its use. No license is granted by implication or otherwise under any patent or patent rights of Analog Devices.