



# Dual Precision, Low Power BiFET Op Amp

## AD648

### FEATURES

#### DC Performance

- 400  $\mu\text{A}$  max Quiescent Current
- 10 pA max Bias Current, Warmed Up (AD648C)
- 300  $\mu\text{V}$  max Offset Voltage (AD648C)
- 3  $\mu\text{V}/^\circ\text{C}$  max Drift (AD648C)
- 2  $\mu\text{V}$  p-p Noise, 0.1 Hz to 10 Hz

#### AC Performance

- 1.8  $\text{V}/\mu\text{s}$  Slew Rate
- 1 MHz Unity Gain Bandwidth

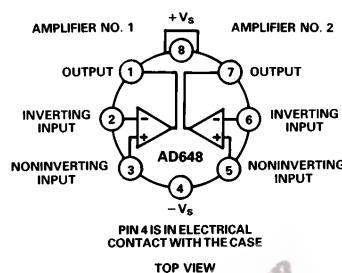
Available in Plastic Mini-DIP, Cerdip, Plastic SOIC and Hermetic Metal Can Packages

MIL-STD-883B Parts Available

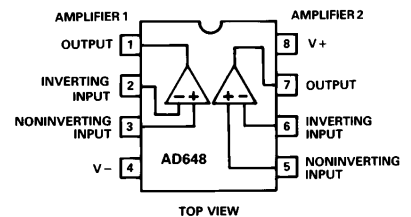
Surface Mount (SOIC) Package Available in Tape and Reel in Accordance with EIA-481A Standard  
Single Version: AD548

### CONNECTION DIAGRAMS

#### TO-99 (H) Package



#### Plastic Mini-DIP (N) Package, Plastic SOIC (R) Package and Cerdip (Q) Package



### PRODUCT DESCRIPTION

The AD648 is a matched pair of low power, precision monolithic operational amplifiers. It offers both low bias current (10 pA max, warmed up) and low quiescent current (400  $\mu\text{A}$  max) and is fabricated with ion-implanted FET and laser wafer trimming technologies. Input bias current is guaranteed over the AD648's entire common-mode voltage range.

The economical J grade has a maximum guaranteed offset voltage of less than 2 mV and an offset voltage drift of less than 20  $\mu\text{V}/^\circ\text{C}$ . The C grade reduces offset voltage to less than 0.30 mV and offset voltage drift to less than 3  $\mu\text{V}/^\circ\text{C}$ . This level of dc precision is achieved utilizing Analog's laser wafer drift trimming process. The combination of low quiescent current and low offset voltage drift minimizes changes in input offset voltage due to self-heating effects. Five additional grades are offered over the commercial, industrial and military temperature ranges.

The AD648 is recommended for any dual supply op amp application requiring low power and excellent dc and ac performance. In applications such as battery-powered, precision instrument front ends and CMOS DAC buffers, the AD648's excellent combination of low input offset voltage and drift, low bias current and low 1/f noise reduces output errors. High common-mode rejection (86 dB, min on the "C" grade) and high open-loop gain ensures better than 12-bit linearity in high impedance, buffer applications.

The AD648 is pinned out in a standard dual op amp configuration and is available in seven performance grades. The AD648J and AD648K are rated over the commercial temperature range of  $0^\circ\text{C}$  to  $+70^\circ\text{C}$ . The AD648A, AD648B and AD648C are rated over the industrial temperature range of  $-40^\circ\text{C}$  to  $+85^\circ\text{C}$ .

### REV. C

Information furnished by Analog Devices is believed to be accurate and reliable. However, no responsibility is assumed by Analog Devices for its use, nor for any infringements of patents or other rights of third parties which may result from its use. No license is granted by implication or otherwise under any patent or patent rights of Analog Devices.

The AD648S and AD648T are rated over the military temperature range of  $-55^\circ\text{C}$  to  $+125^\circ\text{C}$  and are available processed to MIL-STD-883B, Rev. C.

The AD648 is available in an 8-pin plastic mini-DIP, cerdip, SOIC, TO-99 metal can, or in chip form.

### PRODUCT HIGHLIGHTS

1. A combination of low supply current, excellent dc and ac performance and low drift makes the AD648 the ideal op amp for high performance, low power applications.
2. The AD648 is pin compatible with industry standard dual op amps such as the LF442, TL062, and AD642, enabling designers to improve performance while achieving a reduction in power dissipation of up to 85%.
3. Guaranteed low input offset voltage (2 mV max) and drift (20  $\mu\text{V}/^\circ\text{C}$  max) for the AD648J are achieved utilizing Analog Devices' laser drift trimming technology.
4. Analog Devices specifies each device in the warmed-up condition, insuring that the device will meet its published specifications in actual use.
5. Matching characteristics are excellent for all grades. The input offset voltage matching between amplifiers in the AD648J is within 2 mV, for the C grade matching is within 0.4 mV.
6. Crosstalk between amplifiers is less than  $-120$  dB at 1 kHz.
7. The AD648 is available in chip form.

# AD648—SPECIFICATIONS (@ +25°C and $V_S = \pm 15$ V dc, unless otherwise noted)

| Model   | AD648J/A/S                     |                    |                 | AD648K/B/T                  |                    |              | AD648C    |                    |          | Units                        |
|---|--------------------------------|--------------------|-----------------|-----------------------------|--------------------|--------------|-----------|--------------------|----------|------------------------------|
|   | Min                            | Typ                | Max             | Min                         | Typ                | Max          | Min       | Typ                | Max      |                              |
| INPUT OFFSET VOLTAGE <sup>1</sup>                     |                                |                    |                 |                             |                    |              |           |                    |          |                              |
| Initial Offset  |                                | 0.75               | 2.0             |                             | 0.3                | 1.0          |           | 0.10               | 0.3      | mV                           |
| $T_{MIN}$ to $T_{MAX}$                                |                                |                    | 3.0/3.0/3.0     |                             |                    | 1.5/1.5/2.0  |           |                    | 0.5      | mV                           |
| vs. Temperature                                       |                                |                    | 20              |                             |                    | 10           |           |                    | 3.0      | $\mu\text{V}/^\circ\text{C}$ |
| vs. Supply  | 80                             |                    |                 | 86                          |                    |              | 86        |                    |          | dB                           |
| vs. Supply, $T_{MIN}$ to $T_{MAX}$                    | 76/76/76                       |                    |                 | 80                          |                    |              | 80        |                    |          | dB                           |
| Long-Term Offset Stability                            |                                | 15                 |                 |                             | 15                 |              |           | 15                 |          | $\mu\text{V}/\text{month}$   |
| INPUT BIAS CURRENT                                    |                                |                    |                 |                             |                    |              |           |                    |          |                              |
| Either Input, <sup>2</sup> $V_{CM} = 0$               |                                | 5                  | 20              |                             | 3                  | 10           |           | 3                  | 10       | pA                           |
| Either Input <sup>2</sup> at $T_{MAX}$ , $V_{CM} = 0$ |                                |                    | 0.45/1.3/20     |                             |                    | 0.25/0.65/10 |           |                    | 0.65     | nA                           |
| Max Input Bias Current Over                           |                                |                    |                 |                             |                    |              |           |                    |          |                              |
| Common-Mode Voltage Range                             |                                |                    | 30              |                             |                    | 15           |           |                    | 15       | pA                           |
| Offset Current, $V_{CM} = 0$                          |                                | 5                  | 10              |                             | 2                  | 5            |           | 2                  | 5        | pA                           |
| Offset Current at $T_{MAX}$                           |                                |                    | 0.25/0.7/10     |                             |                    | 0.15/0.35/5  |           |                    | 0.35     | nA                           |
| MATCHING CHARACTERISTICS <sup>3</sup>                 |                                |                    |                 |                             |                    |              |           |                    |          |                              |
| Input Offset Voltage                                  |                                | 1.0                | 2.0             |                             | 0.5                | 1.0          |           | 0.2                | 0.4      | mV                           |
| Input Offset Voltage $T_{MIN}$ to $T_{MAX}$           |                                |                    | 3.0/3.0/3.0     |                             |                    | 1.5/1.5/2.0  |           |                    | 0.5      | mV                           |
| Input Offset Voltage vs. Temperature                  |                                | 8                  |                 |                             | 5                  |              |           | 2.5                |          | $\mu\text{V}/^\circ\text{C}$ |
| Input Bias Current                                    |                                |                    | 10              |                             |                    | 5            |           |                    | 5        | pA                           |
| Crosstalk   |                                | -120               |                 |                             | -120               |              |           | -120               |          | dB                           |
| INPUT IMPEDANCE                                       |                                |                    |                 |                             |                    |              |           |                    |          |                              |
| Differential  |                                | $1 \times 10^1$    | $2 \parallel 3$ |                             | $1 \times 10^{12}$ | $3$          |           | $1 \times 10^{12}$ | $3$      | $\Omega \parallel \text{pF}$ |
| Common Mode   |                                | $3 \times 10^{12}$ | $3$             |                             | $3 \times 10^{12}$ | $3$          |           | $3 \times 10^{12}$ | $3$      | $\Omega \parallel \text{pF}$ |
| INPUT VOLTAGE RANGE                                   |                                |                    |                 |                             |                    |              |           |                    |          |                              |
| Differential <sup>4</sup>                             |                                | $\pm 20$           |                 |                             | $\pm 20$           |              |           | $\pm 20$           |          | V                            |
| Common Mode   | $\pm 11$                       | $\pm 12$           |                 | $\pm 11$                    | $\pm 12$           |              | $\pm 11$  | $\pm 12$           |          | V                            |
| Common-Mode Rejection                                 |                                |                    |                 |                             |                    |              |           |                    |          |                              |
| $V_{CM} = \pm 10$ V                                   | 76                             |                    |                 | 82                          |                    |              | 86        |                    |          | dB                           |
| $T_{MIN}$ to $T_{MAX}$                                | 76/76/76                       |                    |                 | 82                          |                    |              | 86        |                    |          | dB                           |
| $V_{CM} = \pm 11$ V                                   | 70                             |                    |                 | 76                          |                    |              | 76        |                    |          | dB                           |
| $T_{MIN}$ to $T_{MAX}$                                | 70/70/70                       |                    |                 | 76                          |                    |              | 76        |                    |          | dB                           |
| INPUT VOLTAGE NOISE                                   |                                |                    |                 |                             |                    |              |           |                    |          |                              |
| Voltage 0.1 Hz to 10 Hz                               |                                | 2                  |                 |                             | 2                  |              |           | 2                  | 4.0      | $\mu\text{V p-p}$            |
| $f = 10$ Hz   |                                | 80                 |                 |                             | 80                 |              |           | 80                 |          | $\text{nV}/\sqrt{\text{Hz}}$ |
| $f = 100$ Hz  |                                | 40                 |                 |                             | 40                 |              |           | 40                 |          | $\text{nV}/\sqrt{\text{Hz}}$ |
| $f = 1$ kHz   |                                | 30                 |                 |                             | 30                 |              |           | 30                 |          | $\text{nV}/\sqrt{\text{Hz}}$ |
| $f = 10$ kHz  |                                | 30                 |                 |                             | 30                 |              |           | 30                 |          | $\text{nV}/\sqrt{\text{Hz}}$ |
| INPUT CURRENT NOISE                                   |                                |                    |                 |                             |                    |              |           |                    |          |                              |
| $f = 1$ kHz   |                                | 1.8                |                 |                             | 1.8                |              |           | 1.8                |          | $\text{fA}/\sqrt{\text{Hz}}$ |
| FREQUENCY RESPONSE                                    |                                |                    |                 |                             |                    |              |           |                    |          |                              |
| Unity Gain, Small Signal                              | 0.8                            | 1.0                |                 | 0.8                         | 1.0                |              | 0.8       | 1.0                |          | MHz                          |
| Full Power Response                                   |                                | 30                 |                 |                             | 30                 |              |           | 30                 |          | kHz                          |
| Slew Rate, Unity Gain                                 | 1.0                            | 1.8                |                 | 1.0                         | 1.8                |              | 1.0       | 1.8                |          | $\text{V}/\mu\text{s}$       |
| Settling Time to $\pm 0.01\%$                         |                                | 8                  |                 |                             | 8                  |              |           | 8                  |          | $\mu\text{s}$                |
| OPEN-LOOP GAIN  |                                |                    |                 |                             |                    |              |           |                    |          |                              |
| $V_O = \pm 10$ V, $R_L \geq 10$ k $\Omega$            | 300                            | 1000               |                 | 300                         | 1000               |              | 300       | 1000               |          | $\text{V}/\text{mV}$         |
| $T_{MIN}$ to $T_{MAX}$ , $R_L \geq 10$ k $\Omega$     | 300/300/300                    | 700                |                 | 300                         | 700                |              | 300       | 700                |          | $\text{V}/\text{mV}$         |
| $V_O = \pm 10$ V, $R_L \geq 5$ k $\Omega$             | 150                            | 500                |                 | 150                         | 500                |              | 150       | 500                |          | $\text{V}/\text{mV}$         |
| $T_{MIN}$ to $T_{MAX}$ , $R_L \geq 5$ k $\Omega$      | 150/150/150                    | 300                |                 | 150                         | 300                |              | 150       | 300                |          | $\text{V}/\text{mV}$         |
| OUTPUT CHARACTERISTICS                                |                                |                    |                 |                             |                    |              |           |                    |          |                              |
| Voltage @ $R_L \geq 10$ k $\Omega$ ,                  |                                |                    |                 |                             |                    |              |           |                    |          |                              |
| $T_{MIN}$ to $T_{MAX}$                                | $\pm 12/\pm 12/\pm 12$         | $\pm 13$           |                 | $\pm 12$                    | $\pm 13$           |              | $\pm 12$  | $\pm 13$           |          | V                            |
| Voltage @ $R_L \geq 5$ k $\Omega$ ,                   |                                |                    |                 |                             |                    |              |           |                    |          |                              |
| $T_{MIN}$ to $T_{MAX}$                                | $\pm 11/\pm 11/\pm 11$         | $\pm 12$           |                 | $\pm 11$                    | $\pm 12$           |              | $\pm 11$  | $\pm 12$           |          | V                            |
| Short Circuit Current                                 |                                | 15                 |                 |                             | 15                 |              |           | 15                 |          | mA                           |
| POWER SUPPLY  |                                |                    |                 |                             |                    |              |           |                    |          |                              |
| Rated Performance                                     |                                | $\pm 15$           |                 |                             | $\pm 15$           |              |           | $\pm 15$           |          | V                            |
| Operating Range                                       | $\pm 4.5$                      |                    | $\pm 18$        | $\pm 4.5$                   |                    | $\pm 18$     | $\pm 4.5$ |                    | $\pm 18$ | V                            |
| Quiescent Current (Both Amplifiers)                   |                                | 340                | 400             |                             | 340                | 400          |           | 340                | 400      | $\mu\text{A}$                |
| TEMPERATURE RANGE                                     |                                |                    |                 |                             |                    |              |           |                    |          |                              |
| Operating, Rated Performance                          |                                |                    |                 |                             |                    |              |           |                    |          |                              |
| Commercial (0°C to +70°C)                             |                                | AD648J             |                 |                             | AD648K             |              |           | AD648C             |          |                              |
| Industrial (-40°C to +85°C)                           |                                | AD648A             |                 |                             | AD648B             |              |           |                    |          |                              |
| Military (-55°C to +125°C)                            |                                | AD648S             |                 |                             | AD648T             |              |           |                    |          |                              |
| PACKAGE OPTIONS                                       |                                |                    |                 |                             |                    |              |           |                    |          |                              |
| SOIC (R-8)  |                                | AD648JR            |                 |                             | AD648KR            |              |           |                    |          |                              |
| Plastic (N-8)   |                                | AD648JN            |                 |                             | AD648KN            |              |           |                    |          |                              |
| Cerdip (Q-8)  | AD648AQ, AD648SQ, AD648SQ/883B |                    |                 | AD648BQ, AD648TQ/883B       |                    |              | AD648CQ   |                    |          |                              |
| Metal Can (H-08A)                                     | AD648AH                        |                    |                 | AD648BH, AD648TH/883B       |                    |              |           |                    |          |                              |
| Tape and Reel   | AD648JR-REEL, AD648JR-REEL7    |                    |                 | AD648KR-REEL, AD648KR-REEL7 |                    |              |           |                    |          |                              |
| Chips Available                                       | AD648JChips, AD648SChips       |                    |                 |                             |                    |              |           |                    |          |                              |

NOTES

<sup>1</sup>Input Offset Voltage specifications are guaranteed after 5 minutes of operation at  $T_A = +25^\circ\text{C}$ .

<sup>2</sup>Bias Current specifications are guaranteed maximum at either input after 5 minutes of operation at  $T_A = +25^\circ\text{C}$ . For higher temperature, the current doubles every  $10^\circ\text{C}$ .

<sup>3</sup>Matching is defined as the difference between parameters of the two amplifiers.

<sup>4</sup>Defined as voltages between inputs, such that neither exceeds  $\pm 10\text{ V}$  from ground.

Specifications subject to change without notice.

**ABSOLUTE MAXIMUM RATINGS<sup>1</sup>**

|   |   |
|---|---|
| Supply Voltage                            | $\pm 18\text{ V}$                           |
| Internal Power Dissipation <sup>2</sup>   | 500 mW                                      |
| Input Voltage <sup>3</sup>                | $\pm 18\text{ V}$                           |
| Output Short Circuit Duration             | Indefinite                                  |
| Differential Input Voltage                | $+V_S$ and $-V_S$                           |
| Storage Temperature Range (Q, H)          | $-65^\circ\text{C}$ to $+150^\circ\text{C}$ |
| (N, R)                                    | $-65^\circ\text{C}$ to $+125^\circ\text{C}$ |
| <b>Operating Temperature Range</b>        |   |
| AD648J/K                                  | $0^\circ\text{C}$ to $+70^\circ\text{C}$    |
| AD648A/B/C                                | $-40^\circ\text{C}$ to $+85^\circ\text{C}$  |
| AD648S/T                                  | $-55^\circ\text{C}$ to $+125^\circ\text{C}$ |
| Lead Temperature Range (Soldering 60 sec) | $+300^\circ\text{C}$                        |

NOTES

<sup>1</sup>Stresses above those listed under "Absolute Maximum Ratings" may cause permanent damage to the device. This is a stress rating only and functional operation of the device at these or any other conditions above those indicated in the operational section of this specification is not implied. Exposure to absolute maximum rating conditions for extended periods may affect device reliability.

<sup>2</sup>Thermal Characteristics:

8-Pin Plastic Package:  $\theta_{JA} = 165^\circ\text{C/Watt}$

8-Pin Cerdip Package:  $\theta_{JC} = 22^\circ\text{C/Watt}$ ;  $\theta_{JA} = 110^\circ\text{C/Watt}$

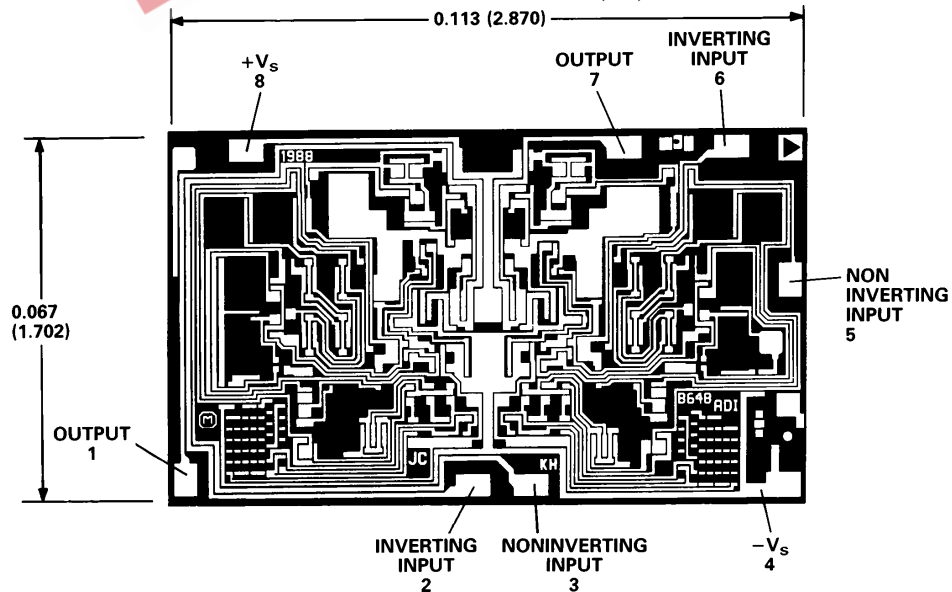
8-Pin Metal Package:  $\theta_{JC} = 65^\circ\text{C/Watt}$ ;  $\theta_{JA} = 150^\circ\text{C/Watt}$

8-Pin SOIC Package:  $\theta_{JC} = 42^\circ\text{C/Watt}$ ;  $\theta_{JA} = 160^\circ\text{C/Watt}$

<sup>3</sup>For supply voltages less than  $\pm 18\text{ V}$ , the absolute maximum input voltage is equal to the supply voltage.

**METALIZATION PHOTOGRAPH**

Contact factory for latest dimensions.  
Dimensions shown in inches and (mm).



**CAUTION**

ESD (electrostatic discharge) sensitive device. Electrostatic charges as high as 4000 V readily accumulate on the human body and test equipment and can discharge without detection. Although the AD648 features proprietary ESD protection circuitry, permanent damage may occur on devices subjected to high energy electrostatic discharges. Therefore, proper ESD precautions are recommended to avoid performance degradation or loss of functionality.



# AD648—Typical Characteristics

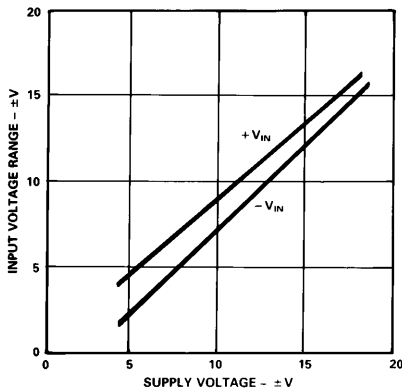


Figure 1. Input Voltage Range vs. Supply Voltage

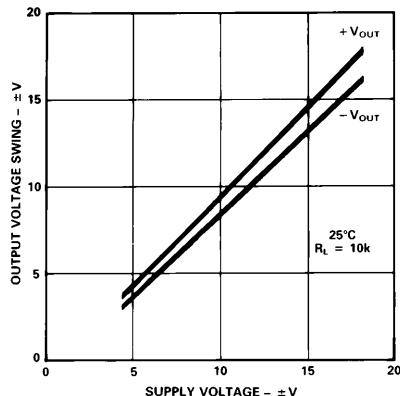


Figure 2. Output Voltage Swing vs. Supply Voltage

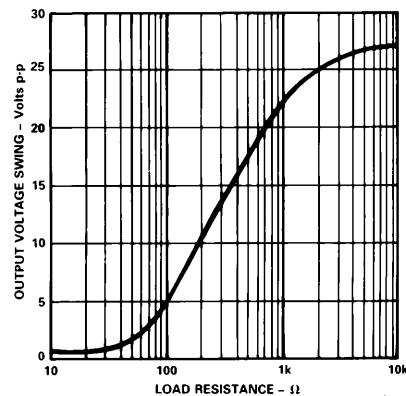


Figure 3. Output Voltage Swing vs. Load Resistance

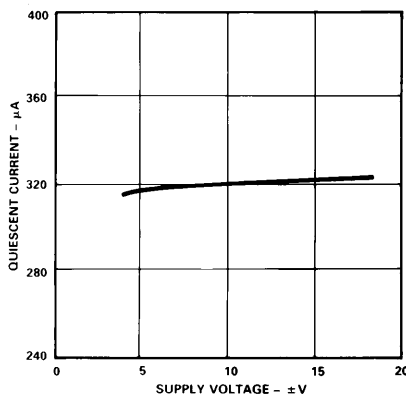


Figure 4. Quiescent Current vs. Supply Voltage

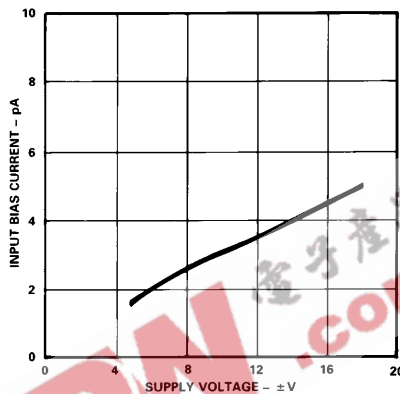


Figure 5. Input Bias Current vs. Supply Voltage

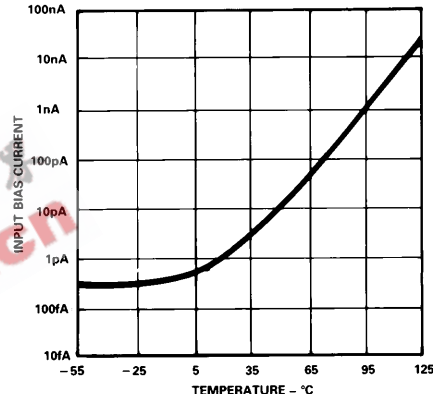


Figure 6. Input Bias Current vs. Temperature

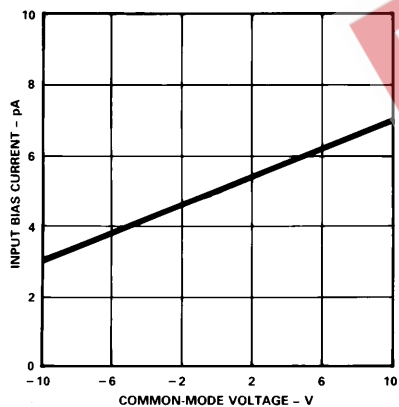


Figure 7. Input Bias Current vs. Common-Mode Voltage

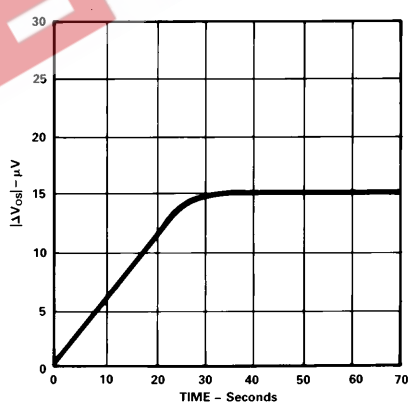


Figure 8. Change in Offset Voltage vs. Warm-Up Time

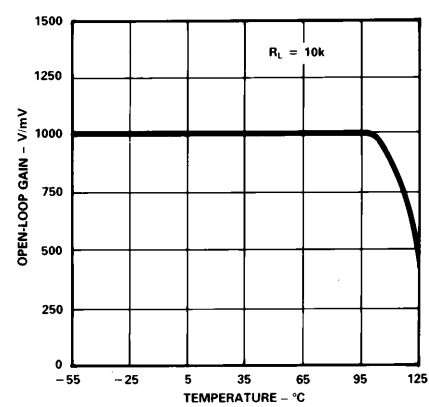


Figure 9. Open-Loop Gain vs. Temperature

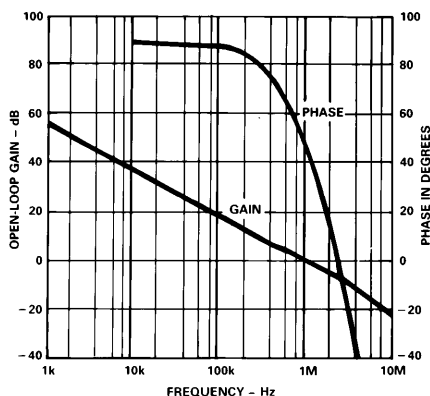


Figure 10. Open-Loop Frequency Response

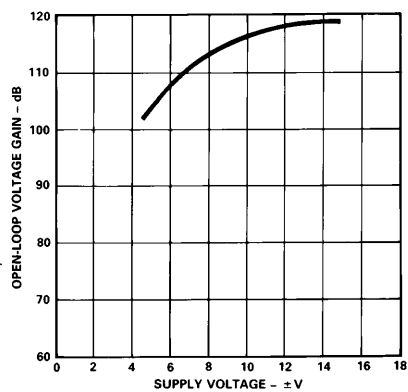


Figure 11. Open-Loop Voltage Gain vs. Supply Voltage

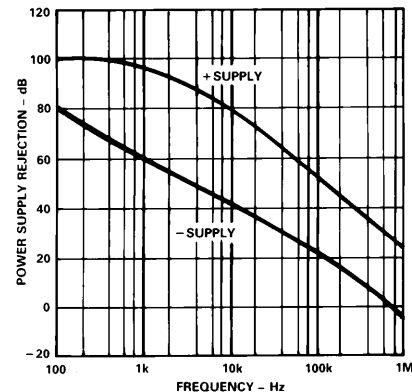


Figure 12. PSRR vs. Frequency

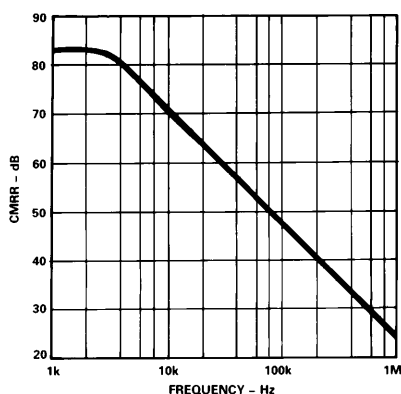


Figure 13. CMRR vs. Frequency

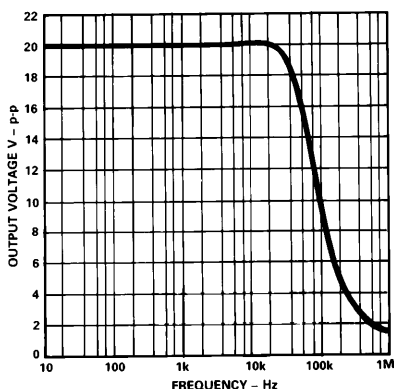


Figure 14. Large Signal Frequency Response

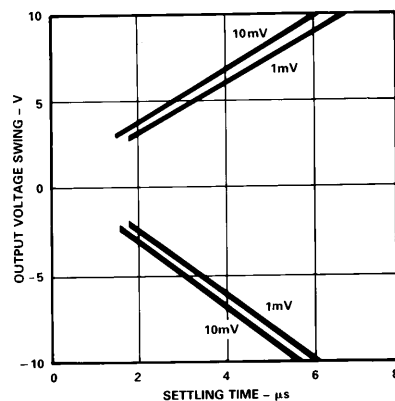


Figure 15. Output Swing and Error Voltage vs. Output Settling Time

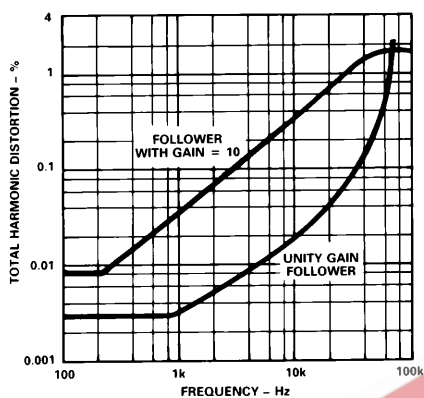


Figure 16. Total Harmonic Distortion vs. Frequency

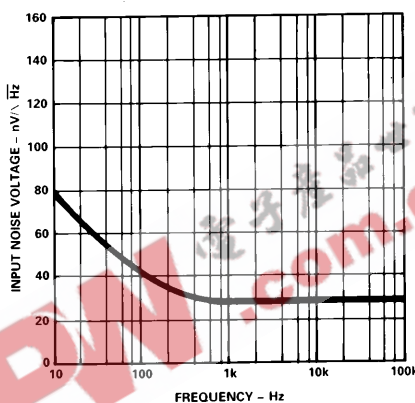


Figure 17. Input Noise Voltage Spectral Density

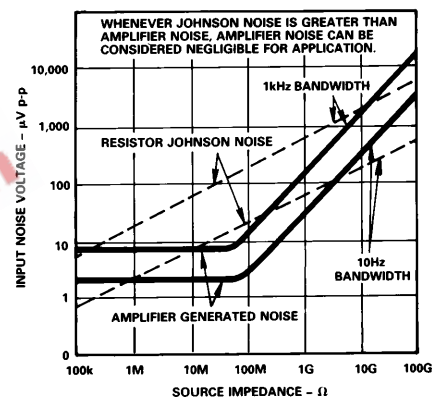


Figure 18. Total Noise vs. Source Impedance

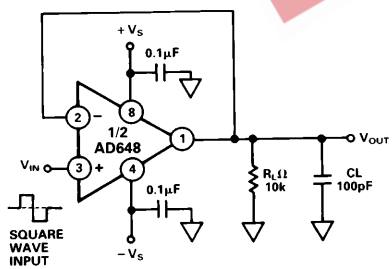


Figure 19a. Unity Gain Follower

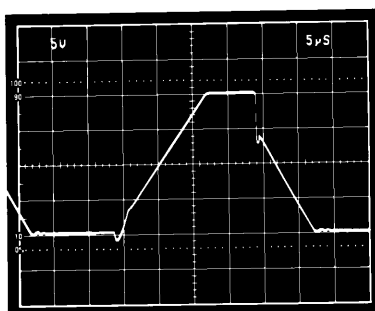


Figure 19b. Unity Gain Follower Pulse Response (Large Signal)

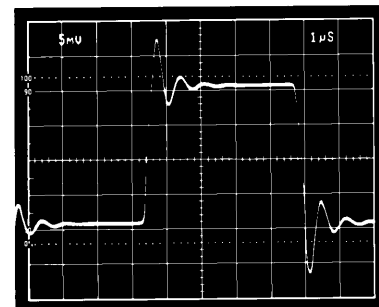


Figure 19c. Unity Gain Follower Pulse Response (Small Signal)

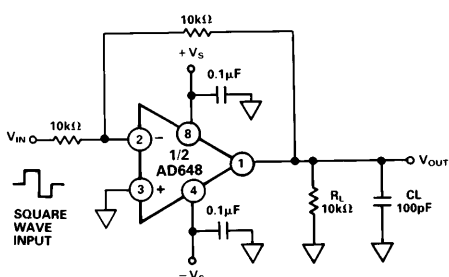


Figure 20a. Unity Gain Inverter

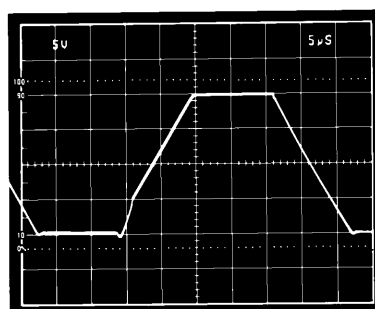


Figure 20b. Unity Gain Inverter Pulse Response (Large Signal)

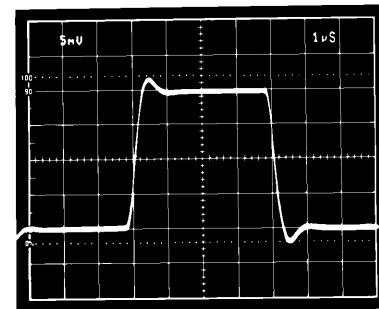


Figure 20c. Unity Gain Inverter Pulse Response (Small Signal)

# AD648

## APPLICATION NOTES

The AD648 is a pair of JFET-input op amps with a guaranteed maximum  $I_B$  of less than 10 pA, and offset and drift laser-trimmed to 0.3 mV and  $3 \mu\text{V}/^\circ\text{C}$ , respectively (AD648C). AC specs include 1 MHz bandwidth,  $1.8 \text{ V}/\mu\text{s}$  typical slew rate and  $8 \mu\text{s}$  settling time for a 20 V step to  $\pm 0.01\%$ —all at a supply current less than  $400 \mu\text{A}$ . To capitalize on the device's performance, a number of error sources should be considered.

The minimal power drain and low offset drift of the AD648 reduce self-heating or "warm-up" effects on input offset voltage, making the AD648 ideal for on/off battery powered applications. The power dissipation due to the AD648's  $400 \mu\text{A}$  supply current has a negligible effect on input current, but heavy output loading will raise the chip temperature. Since a JFET's input current doubles for every  $10^\circ\text{C}$  rise in chip temperature, this can be a noticeable effect.

The amplifier is designed to be functional with power supply voltages as low as  $\pm 4.5 \text{ V}$ . It will exhibit a higher input offset voltage than at the rated supply voltage of  $\pm 15 \text{ V}$ , due to power supply rejection effects. Common-mode range extends from 3 V more positive than the negative supply to 1 V more negative than the positive supply. Designed to cleanly drive up to  $10 \text{ k}\Omega$  and  $100 \text{ pF}$  loads, the AD648 will drive a  $2 \text{ k}\Omega$  load with reduced open-loop gain.

Figure 21 shows the recommended crosstalk test circuit. A typical value for crosstalk is  $-120 \text{ dB}$  at  $1 \text{ kHz}$ .

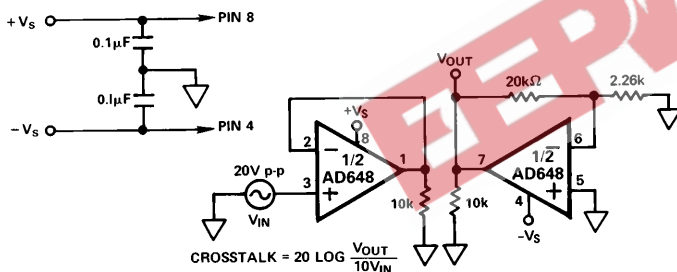


Figure 21. Crosstalk Test Circuit

## LAYOUT

To take full advantage of the AD648's  $10 \text{ pA}$  max input current, parasitic leakages must be kept below an acceptable level. The practical limit of the resistance of epoxy or phenolic circuit board material is between  $1 \times 10^{12} \Omega$  and  $3 \times 10^{12} \Omega$ . This can result in an additional leakage of  $5 \text{ pA}$  between an input of  $0 \text{ V}$  and a  $-15 \text{ V}$  supply line. Teflon or a similar low leakage material (with a resistance exceeding  $10^{17} \Omega$ ) should be used to isolate high impedance input lines from adjacent lines carrying high voltages. The insulator should be kept clean, since contaminants will degrade the surface resistance.

A metal guard completely surrounding the high impedance nodes and driven by a voltage near the common-mode input potential can also be used to reduce some parasitic leakages. The guarding pattern in Figure 22 will reduce parasitic leakage due to finite board surface resistance; but it will not compensate for a low volume resistivity board.

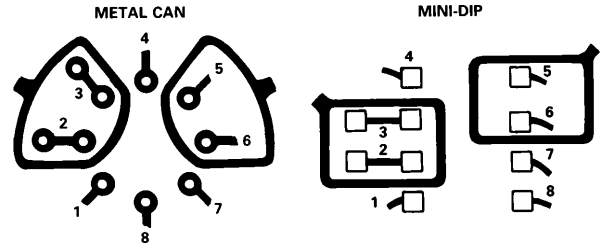


Figure 22. Board Layout for Guarding Inputs

## INPUT PROTECTION

The AD648 is guaranteed to withstand input voltages equal to the power supply potential. Exceeding the negative supply voltage on either input will forward bias the substrate junction of the chip. The induced current may destroy the amplifier due to excess heat.

Input protection is required in applications such as a flame detector in a gas chromatograph, where a very high potential may be applied to the input terminals during a sensor fault condition. Figures 23a and 23b show simple current limiting schemes that can be used.  $R_{\text{PROTECT}}$  should be chosen such that the maximum overload current is  $1.0 \text{ mA}$  (for example  $100 \text{ k}\Omega$  for a  $100 \text{ V}$  overload).

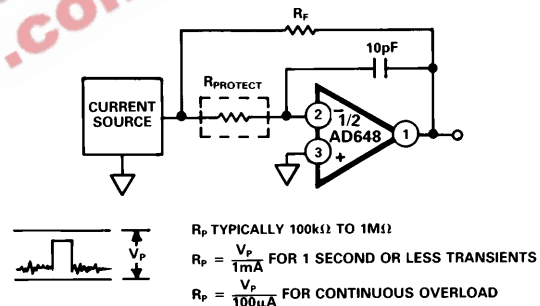


Figure 23a. Input Protection of I-to-V Converter

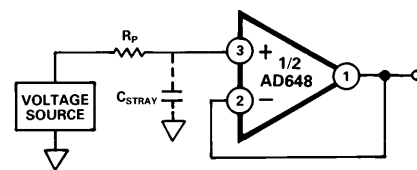


Figure 23b. Voltage Follower Input Protection Method

Figure 23b shows the recommended method for protecting a voltage follower from excessive currents due to high voltage breakdown. The protection resistor,  $R_p$ , limits the input current. A nominal value of  $100 \text{ k}\Omega$  will limit the input current to less than  $1 \text{ mA}$  with a  $100 \text{ volt}$  input voltage applied.

The stray capacitance between the summing junction and ground will produce a high frequency roll-off with a corner frequency equal to:

$$f_{\text{corner}} = \frac{1}{2 \pi R_p C_{\text{stray}}}$$

Accordingly, a  $100 \text{ k}\Omega$  value for  $R_p$  with a  $3 \text{ pF}$   $C_{\text{stray}}$  will cause a  $3 \text{ dB}$  corner frequency to occur at  $531 \text{ kHz}$ .

Figure 23c shows a diode clamp protection scheme for an I-to-V converter using low leakage diodes. Because the diodes are connected to the op amp's summing junction, which is a virtual ground, their leakage contribution is minimal.

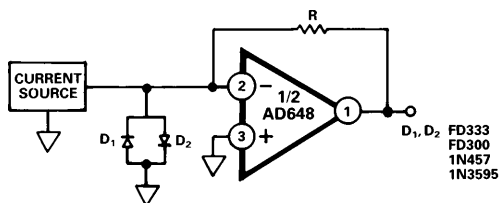


Figure 23c. I-to-V Converter with Diode Input Protection

Exceeding the negative common-mode range on either input terminal causes a phase reversal at the output, forcing the amplifier output to the corresponding high or low state. Exceeding the negative common mode on both inputs simultaneously forces the output high. Exceeding the positive common-mode range on a single input doesn't cause a phase reversal; but if both inputs exceed the limit, the output will be forced high. In all cases, normal amplifier operation is resumed when input voltages are brought back within the common-mode range.

**D/A CONVERTER BIPOLAR OUTPUT BUFFER**

The circuit in Figure 24 provides 4 quadrant multiplication with a resolution of 12 bits. The AD648 is used to convert the AD7545

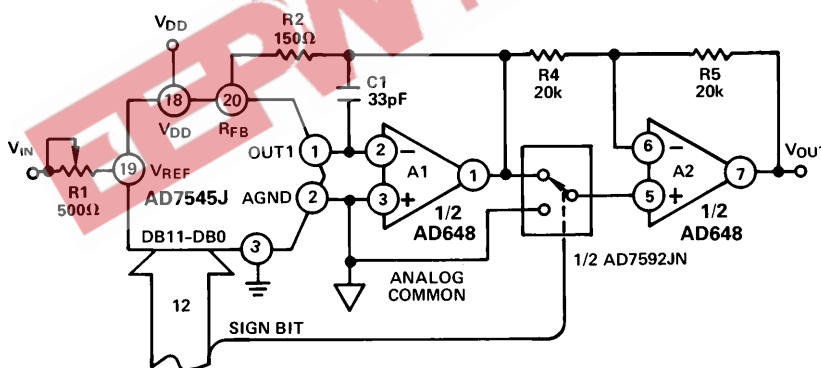


Figure 24. 12-Bit Plus Sign Magnitude D/A Converter

| SIGN BIT | BINARY NUMBER IN DAC REGISTER | ANALOG OUTPUT                  |
|----------|-------------------------------|--------------------------------|
| 0        | 1111 1111 1111                | +V <sub>IN</sub> × (4095/4096) |
| 0        | 0000 0000 0000                | 0 VOLTS                        |
| 1        | 0000 0000 0000                | 0 VOLTS                        |
| 1        | 1111 1111 1111                | -V <sub>IN</sub> × (4095/4096) |

NOTE: SIGN BIT AT "0" CONNECTS THE NONINVERTING INPUT OF A2 TO ANALOG COMMON

Figure 25. Sign Magnitude Code Table

CMOS DAC's output current to a voltage and provides the necessary level shifting to achieve a bipolar voltage output. The circuit operates with a 12-bit plus sign input code. The transfer function is shown in Figure 25.

The AD7592 is a fully protected dual CMOS SPDT switch with data latches. R4 and R5 should match to within 0.01% to maintain the accuracy of the converter. A mismatch between R4 and R5 introduces a gain error. Overall gain is trimmed by adjusting R<sub>IN</sub>. The AD648's low input offset voltage, low drift over temperature, and excellent dynamics make it an attractive low power output buffer.

The input offset voltage of the AD648 output amplifier results in an output error voltage. This error voltage equals the input offset voltage of the op amp times the noise gain of the amplifier.

That is:

$$V_{OS\ Output} = V_{OS\ Input} \left( 1 + \frac{R_{FB}}{R_O} \right)$$

R<sub>FB</sub> is the feedback resistor for the op amp, which is internal to the DAC. R<sub>O</sub> is the DAC's R-2R ladder output resistance. The value of R<sub>O</sub> is code dependent. This has the effect of changing the offset error voltage at the amplifier's output. An output amplifier with a sub millivolt input offset voltage is needed to preserve the linearity of the DAC's transfer function.

# AD648

The AD648 in this configuration provides a 700 kHz small signal bandwidth and 1.8 V/ $\mu$ s typical slew rate. The 33 pF capacitor across the feedback resistor optimizes the circuit's response. The oscilloscope photos in Figures 26a and 26b show small and large signal outputs of the circuit in Figure 24. Upper traces show the input signal  $V_{IN}$ . Lower traces are the resulting output voltage with the DAC's digital input set to all 1s. The circuit settles to  $\pm 0.01\%$  for a 20 V input step in 14  $\mu$ s.

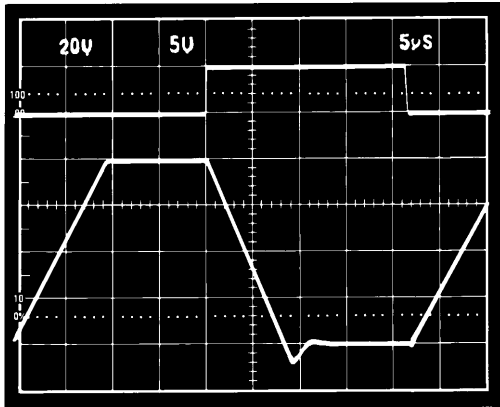


Figure 26a. Response to  $\pm 20$  V p-p Reference Square Wave

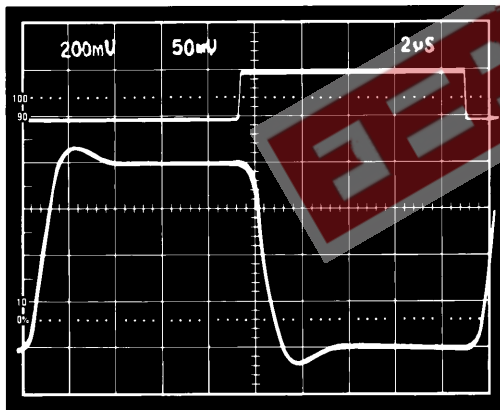


Figure 26b. Response to  $\pm 100$  mV p-p Reference Square Wave

## DUAL PHOTODIODE PREAMP

The performance of the dual photodiode preamp shown in Figure 27 is enhanced by the AD648's low input current, input voltage offset, and offset voltage drift. Each photodiode sources a current proportional to the incident light power on its surface.  $R_F$  converts the photodiode current to an output voltage equal to  $R_F \times I_S$ .

An error budget illustrating the importance of low amplifier input current, voltage offset, and offset voltage drift to minimize output voltage errors can be developed by considering the equivalent circuit for the small (0.2 mm<sup>2</sup> area) photodiode shown in Figure 27. The input current results in an error proportional to the feedback resistance used. The amplifier's offset will produce an error proportional to the preamp's noise gain ( $1 + R_F/R_{SH}$ ), where  $R_{SH}$  is the photodiode shunt resistance. The amplifier's input current will double with every 10°C rise in temperature, and the photodiode's shunt resistance halves with every 10°C rise. The error budget in Figure 28 assumes a room temperature photodiode  $R_{SH}$  of 500 M $\Omega$ , and the maximum input current and input offset voltage specs of an AD648C.

The capacitance at the amplifier's negative input (the sum of the photodiode's shunt capacitance, the op amp's differential input capacitance, stray capacitance due to wiring, etc.) will cause a rise in the preamp's noise gain over frequency. This can result in excess noise over the bandwidth of interest.  $C_F$  reduces the noise gain "peaking" at the expense of signal bandwidth.

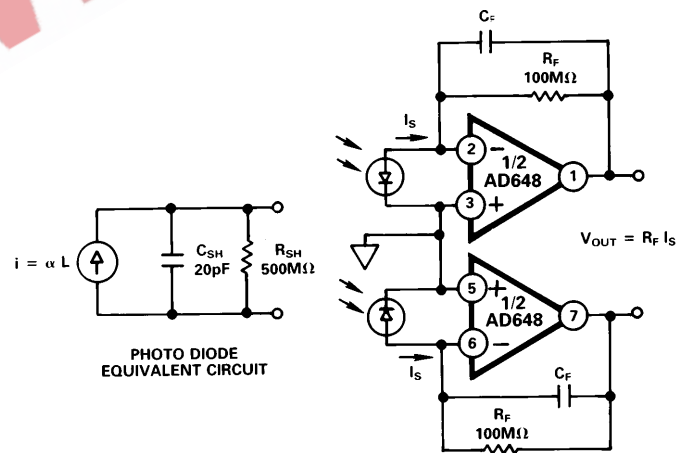


Figure 27. A Dual Photodiode Pre-Amp

| TEMP<br>°C | $R_{SH}$<br>(M $\Omega$ ) | $V_{OS}$<br>( $\mu$ V) | $(1 + R_F/R_{SH}) V_{OS}$ | $I_B$<br>(pA) | $I_B R_F$   | TOTAL       |
|------------|---------------------------|------------------------|---------------------------|---------------|-------------|-------------|
| -25        | 15,970                    | 150                    | 151 $\mu$ V               | 0.30          | 30 $\mu$ V  | 181 $\mu$ V |
| 0          | 2,830                     | 225                    | 233 $\mu$ V               | 2.26          | 262 $\mu$ V | 495 $\mu$ V |
| +25        | 500                       | 300                    | 360 $\mu$ V               | 10.00         | 1.0 mV      | 1.36 mV     |
| +50        | 88.5                      | 375                    | 800 $\mu$ V               | 56.6          | 5.6 mV      | 6.40 mV     |
| +75        | 15.6                      | 450                    | 3.33 mV                   | 320           | 32 mV       | 35.3 mV     |
| +85        | 7.8                       | 480                    | 6.63 mV                   | 640           | 64 mV       | 70.6 mV     |

Figure 28. Photodiode Pre-Amp Errors Over Temperature



**INSTRUMENTATION AMPLIFIER**

The AD648J's maximum input current of 20 pA per amplifier makes it an excellent building block for the high input impedance instrumentation amplifier shown in Figure 29. Total current drain for this circuit is under 600  $\mu$ A. This configuration is optimal for conditioning differential voltages from high impedance sources.

The overall gain of the circuit is controlled by  $R_G$ , resulting in the following transfer function:

$$\frac{V_{OUT}}{V_{IN}} = 1 + \frac{(R3 + R4)}{R_G}$$

Gains of 1 to 100 can be accommodated with gain nonlinearities of less than 0.01%. The maximum input current is 30 pA over the common-mode range, with a common-mode impedance of over  $1 \times 10^{12} \Omega$ . The capacitors C1, C2, C3 and C4 compensate for peaking in the gain over frequency which is caused by input capacitance.

To calibrate this circuit, first adjust trimmer R1 for common-mode rejection with +10 volts dc applied to the input pins. Next, adjust R2 for zero offset at  $V_{OUT}$  with both inputs grounded. Trim the circuit a second time for optimal performance.

The -3 dB small signal bandwidth for this low power instrumentation amplifier is 700 kHz for a gain of 1 and 10 kHz for a gain of 100. The typical output slew rate is 1.8 V/ $\mu$ s.

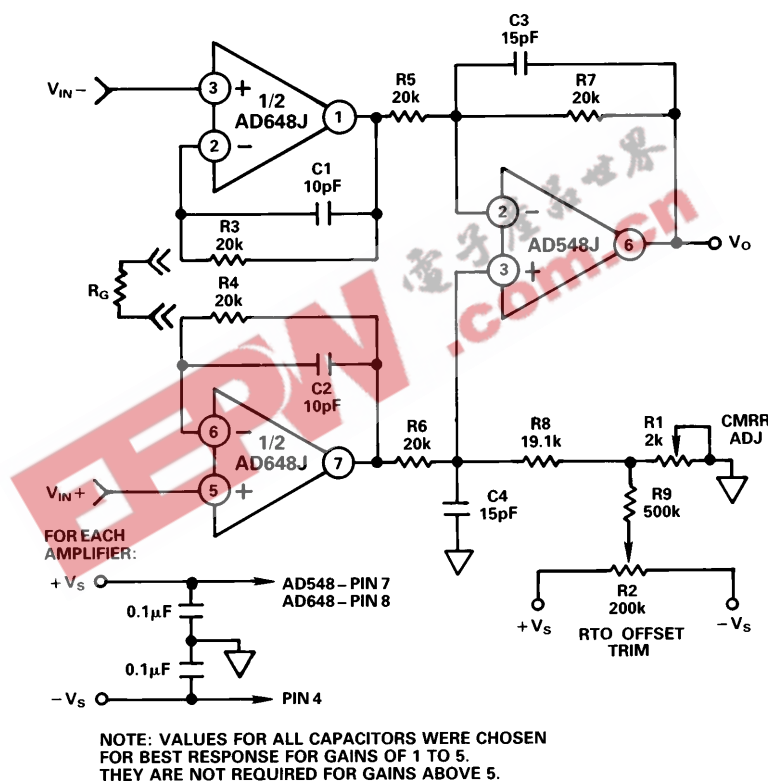


Figure 29. Low Power Instrumentation Amplifier

# AD648

## LOG RATIO AMPLIFIER

Log ratio amplifiers are useful for a variety of signal conditioning applications, such as linearizing exponential transducer outputs and compressing analog signals having a wide dynamic range. The AD648's picoamp level input current and low input offset voltage make it a good choice for the front-end amplifier of the log ratio circuit shown in Figure 30. This circuit produces an output voltage equal to the log base 10 of the ratio of the input currents  $I_1$  and  $I_2$ . Resistive inputs R1 and R2 are provided for voltage inputs.

Input currents  $I_1$  and  $I_2$  set the collector currents of Q1 and Q2, a matched pair of logging transistors. Voltages at points A and B are developed according to the following familiar diode equation:

$$V_{BE} = (kT/q) \ln(I_C/I_{ES})$$

In this equation, k is Boltzmann's constant, T is absolute temperature, q is an electron charge, and  $I_{ES}$  is the reverse saturation current of the logging transistors. The difference of these two voltages is taken by the subtractor section and scaled by a factor of approximately 16 by resistors R9, R10 and R8. Temperature compensation is provided by resistors R8 and R15,

which have a positive 3500 ppm/°C temperature coefficient. The transfer function for the output voltage is:

$$V_{OUT} = 1 V \log_{10}(I_2/I_1)$$

Frequency compensation is provided by R11, R12, C1, and C2. Small signal bandwidth is approximately 300 kHz at input currents above 100  $\mu$ A and will proportionally decrease with lower signal levels. D1, D2, R13, and R14 compensate for the effects of the two logging transistors' ohmic emitter resistance.

To trim this circuit, set the two input currents to 10  $\mu$ A and adjust  $V_{OUT}$  to zero by adjusting the potentiometer on A3. Then set  $I_2$  to 1  $\mu$ A and adjust the scale factor such that the output voltage is 1 V by trimming potentiometer R10. Offset adjustment for A1 and A2 is provided to increase the accuracy of the voltage inputs.

This circuit ensures a 1% log conformance error over an input current range of 300 pA to 1 mA, with low level accuracy limited by the AD648's input current. The low level input voltage accuracy of this circuit is limited by the input offset voltage and drift of the AD648.

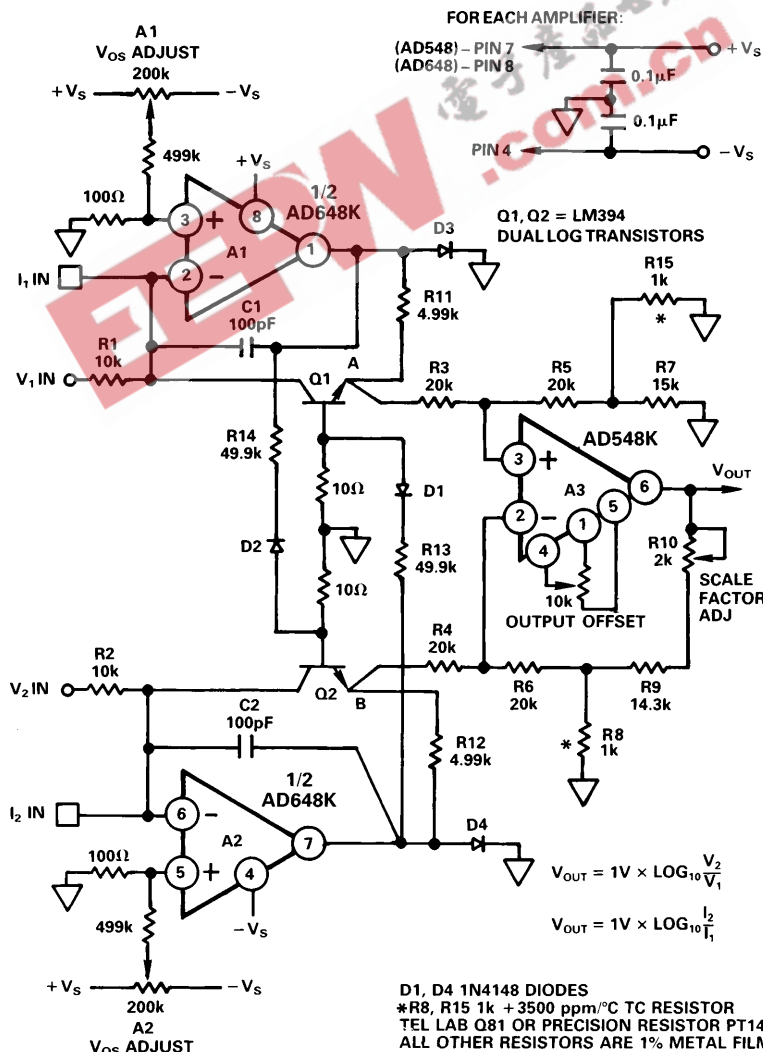
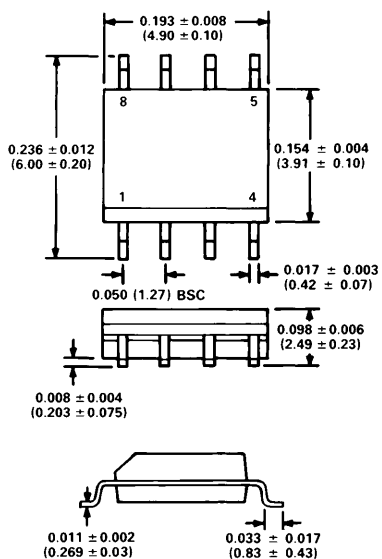


Figure 30. Precision Log Ratio Amplifier

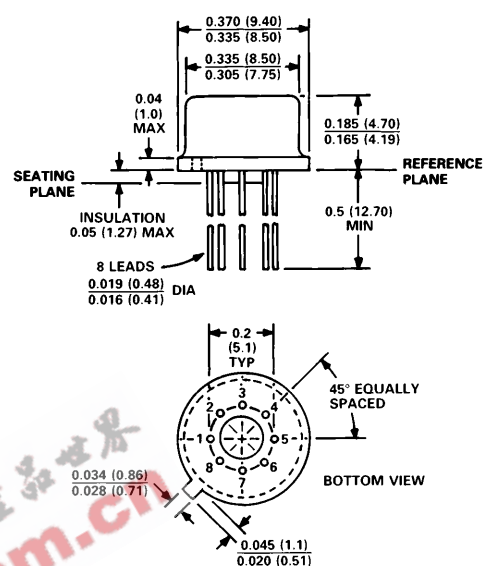
**OUTLINE DIMENSIONS**

Dimensions shown in inches and (mm).

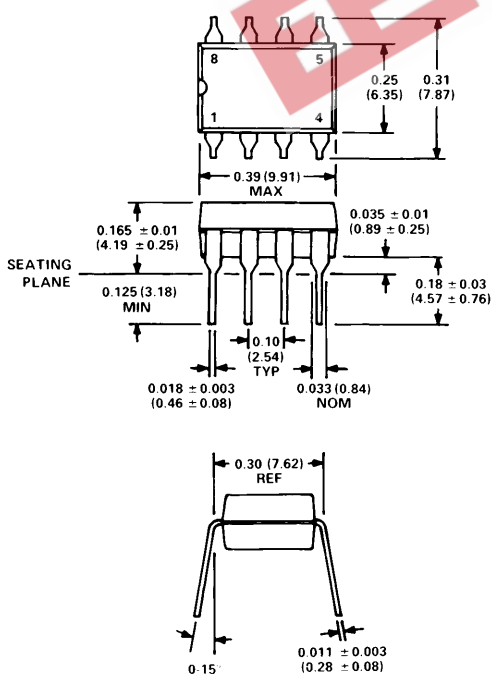
**8-Pin SOIC (R) Package**



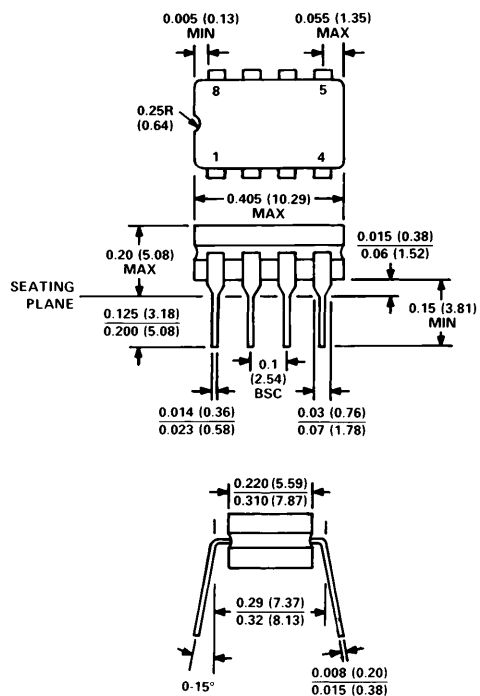
**TO-99 (H) Package**



**Mini-DIP (N) Package**



**Cerdip (Q) Package**



EEPW 电子产品世界  
.com.cn