

# Related Products: Motor Operated Auto Drain Series ADM200

## Reliably discharges even highly viscous drainage

Highly resistant to dust and highly viscous drainage, the valve opens and closes reliably to discharge the drainage.

## Large drain discharge capacity

With a large discharge port, a large amount of drainage can be discharged in a single operation.

Elimination of residual drainage from inside of the tank and pipes prevents the generation of foreign matter as a result of dried rust or drainage, which could adversely affect the equipment located on the outlet side.

## Low power consumption: 4 W

A long pipe can also be connected to the discharge port. It can be connected directly to a compressor.



## Model/Specifications

Model	ADM200-□□-□
Fluid	Air
Max. operating pressure	1.0 MPa
Proof pressure	1.5 MPa
Ambient and fluid temperature	-5 to 60°C (No freezing)
Operating cycle*	1 cycle in a minute (Standard)
Operating time	2 sec./cycle (Standard)
Power source	100, 200 VAC <sup>50/60</sup> Hz, Other
Power consumption	4 W
Port size	IN: Rc 3/8, 1/2 OUT: Rc 3/8
Weight	550 g

\* If the operating cycle is twice in a minute (op. time 2 sec. x 2) operating time is 4 sec. each minute.

## ⚠ Precautions

Be sure to read before handling. Refer to pages 14-21-3 to 4 for Safety Instructions and Common Precautions on the products mentioned in this catalog, and refer to pages 14-14-6 to 8 for Precautions on every series.

the tank. Failure to observe this precaution could lead to malfunctions.

2. Install this product, so that its drain port faces down. Failure to observe this precaution could lead to malfunctions.

## ⚠ Caution

1. Provide a stop valve before ADM200 to facilitate maintenance and inspection.

## Maintenance

## ⚠ Caution

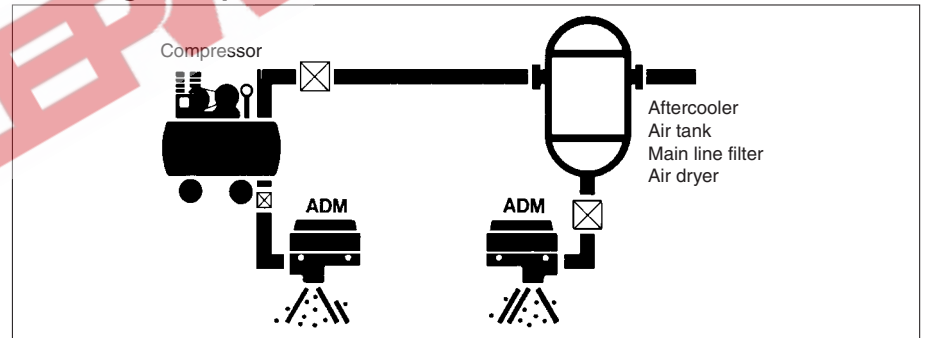
1. If the valve becomes clogged with debris, press the manual button to flush out the debris. Failure to observe this precaution could lead to malfunctions.

## Mounting

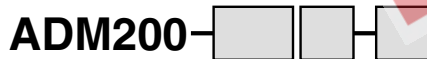
## ⚠ Warning

1. Install this product after discharging the drainage that has already accumulated in

## Mounting Example



## How to Order



### Port size

Symbol	IN	OUT
03	3/8	3/8
04	1/2	3/8

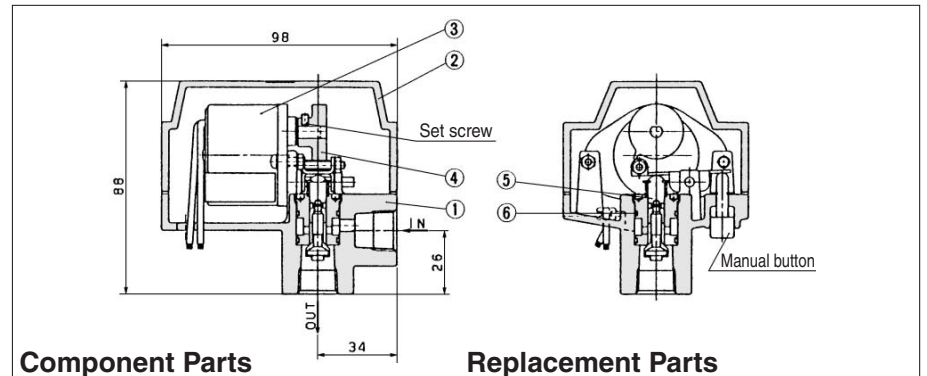
### Voltage

1	100 VAC <sup>50/60</sup> Hz
2	200 VAC <sup>50/60</sup> Hz
3	240 VAC <sup>50/60</sup> Hz
4	110 VAC <sup>50/60</sup> Hz
5	220 VAC <sup>50/60</sup> Hz
6	24 VDC
7	12 VDC

### Operating time/ Applicable compressor

Nil	2 sec/min (1 cycle/min) /3.7 to 37 kW
4	4 sec/min (2 cycle/min) /37 to 75 kW
6	6 sec/min (3 cycle/min) /75 to 110 kW
8	8 sec/min (4 cycle/min) /220 to 370 kW

## Construction/Dimensions



## Component Parts

No.	Description	Material	Note
①	Body	ADC12	Chrome treated
②	Cap	ADC12	Chrome treated

## Replacement Parts

No.	Description	Material	Part no.
③ <sup>Note)</sup>	Motor	—	812PG-voltage
			Operating time
			201324 (Nil)
			201325 (4)
			201326 (6)
			201327 (8)
④	Cam	SCS13	
⑤	Valve assembly	C3604B	20137-1A
⑥	O-ring	NBR	S-16

Note) Motor port no. in the case of 100 VAC: 812PG-100VAC