

Part Number: AM2520EG/4YD5V

Yellow

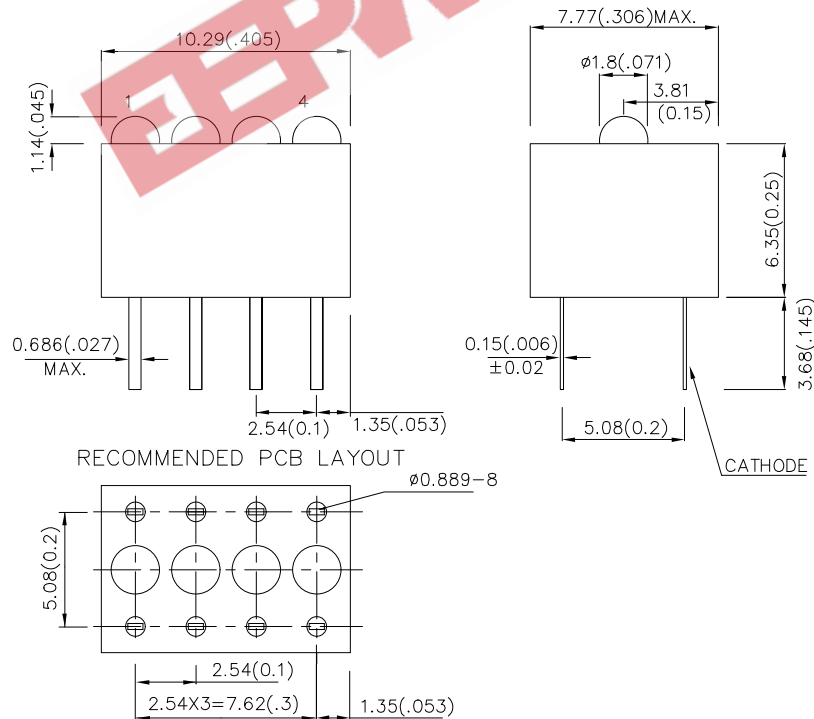
Features

- BLACK CASE ENHANCES CONTRAST.
- VIBRATION AND SHOCK RESISTANT.
- AVAILABLE WITH A VARIETY OF LEDs.
- UL RATING : 94V-0.
- HOUSING MATERIAL: TYPE 66 NYLON.
- 5V INTERNAL RESISTOR.
- RoHS COMPLIANT.

Description

The Yellow source color devices are made with Gallium Arsenide Phosphide on Gallium Phosphide Yellow Light Emitting Diode.

Package Dimensions



Notes:

1. All dimensions are in millimeters (inches).
2. Tolerance is $\pm 0.25(0.01)$ unless otherwise noted.
3. Lead spacing is measured where the leads emerge from the package.
4. Specifications are subject to change without notice.



Selection Guide

| Part No. | Dice | Lens Type | Iv (mcd) [2] V= 5V | | Viewing Angle [1] |
|----------------|--------------------|-----------------|-----------------------|------|-------------------|
| | | | Min. | Typ. | 2θ1/2 |
| AM2520EG/4YD5V | Yellow (GaAsP/GaP) | YELLOW DIFFUSED | 1 | 3 | 40° |

Notes:

1. θ1/2 is the angle from optical centerline where the luminous intensity is 1/2 the optical centerline value.
2. Luminous intensity/ luminous Flux: +/-15%.

Electrical / Optical Characteristics at TA=25°C

| Symbol | Parameter | Device | Typ. | Max. | Units | Test Conditions |
|-----------------------|--------------------------|--------|------|------|-------|---------------------|
| λ_{peak} | Peak Wavelength | Yellow | 590 | | nm | V _F =5V |
| λ_D [1] | Dominant Wavelength | Yellow | 588 | | nm | V _F =5V |
| $\Delta\lambda_{1/2}$ | Spectral Line Half-width | Yellow | 35 | | nm | V _F =5V |
| I _F | Forward Current | Yellow | 13 | 17.5 | mA | V _F =5V |
| I _R | Reverse Current | Yellow | | 10 | uA | V _R = 5V |

Note:

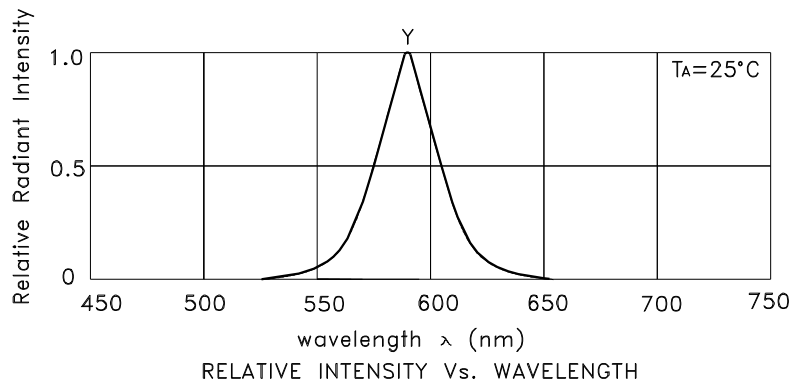
- 1.Wavelength: +/-1nm.

Absolute Maximum Ratings at TA=25°C

| Parameter | Yellow | Units |
|-----------------------------|---------------------|-------|
| Power dissipation | 85 | mW |
| Forward Voltage | 6 | V |
| Reverse Voltage | 5 | V |
| Operating Temperature | -40°C To +70°C | |
| Storage Temperature | -40°C To +85°C | |
| Lead Solder Temperature [1] | 260°C For 3 Seconds | |
| Lead Solder Temperature [2] | 260°C For 5 Seconds | |

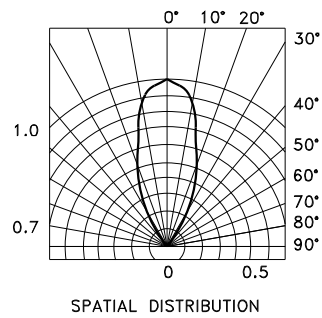
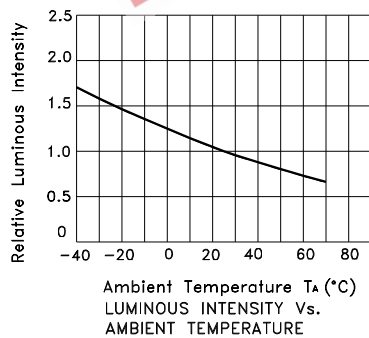
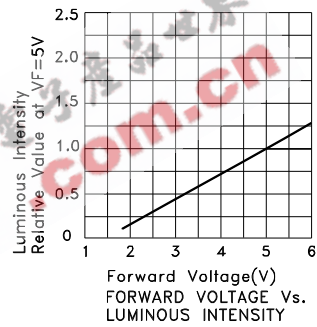
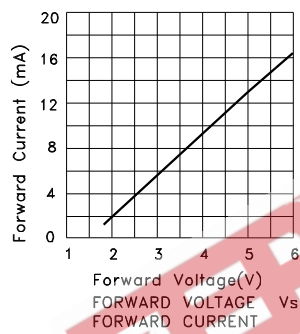
Notes:

1. 2mm below package base.
2. 5mm below package base.



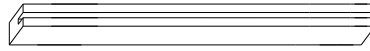
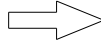
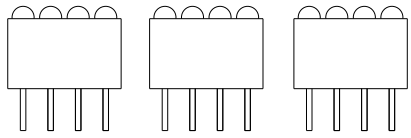
Yellow

AM2520EG/4YD5V

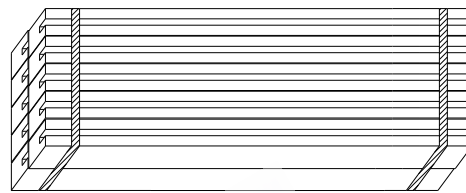


PACKING & LABEL SPECIFICATIONS

AM2520EG/4YD5V



48PCS / IC TUBE




480pcs / 10pcs IC TUBE



OUTSIDE LABEL

10.56K / 10# BOX

| | | | | |
|-------------------------------------------------------------------------------------------------------------------------|------------------------------------------------------------------------------------------------------------------------------------------------------------------------------------------------|----|----------|--------|
| Kingbright | | | | |
| Q.C. | <table border="1"> <tr> <td style="text-align: center;">QC</td> </tr> <tr> <td style="text-align: center;">XX XX XX</td> </tr> <tr> <td style="text-align: center;">PASSED</td> </tr> </table> | QC | XX XX XX | PASSED |
| QC | | | | |
| XX XX XX | | | | |
| PASSED | | | | |
| TYPE NO : AM2520EGxxx | | | | |
| QUANTITY : 480 pcs | | | | |
| S/N : XX | CODE: XX | | | |
| LOT NO :  <small>XX-HPXXX</small> | | | | |
| RoHS Compliant | | | | |