

Accutek Microcircuit Corporation

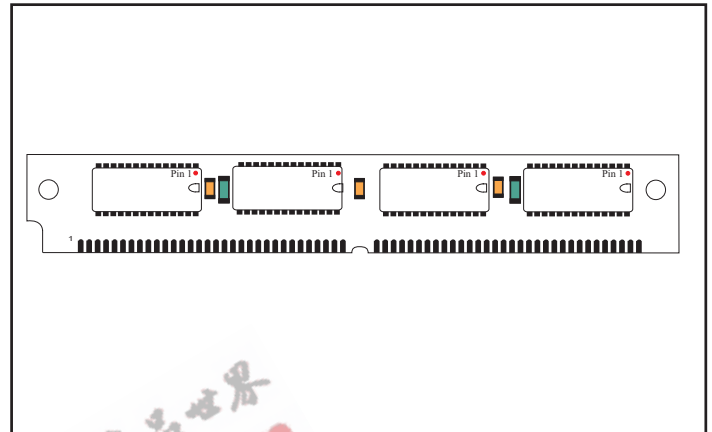
AK63232W
32,768 x 32 Bit CMOS/BiCMOS
Static Random Access Memory

DESCRIPTION

The Accutek AK63232W SRAM Module consists of fast high performance SRAMs mounted on a low profile, 64 pin SIM Board. The module utilizes four 28 pin 32K x 8 SRAMs in SOJ packages and four decoupling capacitor chips on one side of the circuit board.

The SRAMs used have common I/O functions and single output enable functions. Also, four separate chip select (CE) connections are used to independently enable the four bytes. The modules can be supplied in a variety of access time values from 12 nSEC to 45 nSEC in CMOS or BiCMOS technology.

The Accutek module is designed for the lowest height off the board, consistent with the availability of commonly available SRAM SOJ package configurations. Each conforms to JEDEC - standard sizes and pin-out configurations. This, along with use of two pins for module memory density identification, PD₀ and PD₁, minimizes interchangeability and design considerations when changing from one module size to the other in customer applications.



FEATURES

- 32,768 x 32 bit organization
- JEDEC Standardized 64 pin SIM format
- Common I/O, single OE functions with four separate chip selects (CE)
- Low height, 0.600 inch maximum, for mounting in straight-up or angled SIM sockets
- Upward compatible with 64k x 32, AK63264W, 256K x 32, AK6322W and 1 meg x 32, AK6321024W designs
- Presence Detect, PD₀ and PD₁ for identifying module density
- Fast Access Times range from 12 nSEC BiCMOS to 45 nSEC CMOS
- TTL compatible inputs and outputs
- Single 5 volt power supply - AK63232W
- Single 3.3 volt power supply - AK63232W/3.3
- Operating temperature range in free air, 0°C to 70°C

PIN NOMENCLATURE

A0 - A14	Address Inputs
CE ₁ - CE ₄	Chip Enable
DQ ₁ - DQ ₃₂	Data In/Data Out
OE	Output Enable
PD ₀ - PD ₁	Presence Detect
Vcc	Power Supply
Vss	Ground
WE	Write Enable

MODULE OPTIONS

Leadless SIM: AK63232W

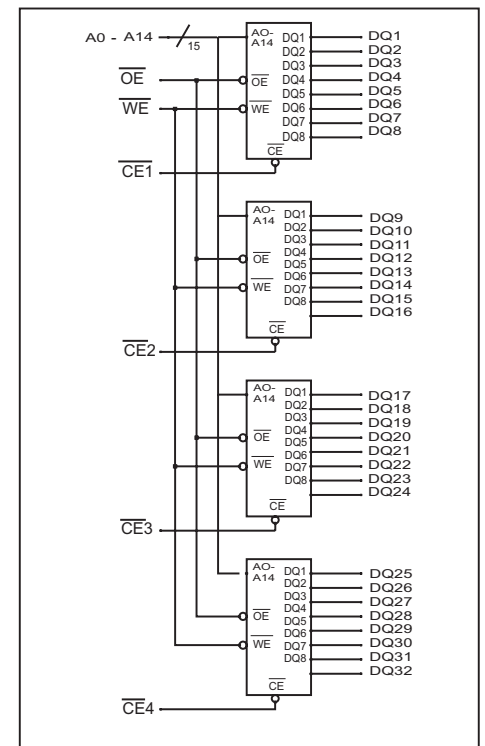
Leaded SIP: AK63232G

PIN ASSIGNMENT

PIN #	SYMBOL	PIN #	SYMBOL	PIN #	SYMBOL	PIN #	SYMBOL
1	Vss	17	A2	33	CE4	49	A4
2	PD0	18	A9	34	CE3	50	A11
3	PD1	19	DQ13	35	NC	51	A5
4	DQ1	20	DQ5	36	NC	52	A12
5	DQ9	21	DQ14	37	OE	53	Vcc
6	DQ2	22	DQ6	38	Vss	54	A13
7	DQ10	23	DQ15	39	DQ25	55	A6
8	DQ3	24	DQ7	40	DQ17	56	DQ21
9	DQ11	25	DQ16	41	DQ26	57	DQ29
10	DQ4	26	DQ8	42	DQ18	58	DQ22
11	DQ12	27	Vss	43	DQ27	59	DQ30
12	Vcc	28	WE	44	DQ19	60	DQ23
13	A0	29	NC	45	DQ28	61	DQ31
14	A7	30	A14	46	DQ20	62	DQ24
15	A1	31	CE2	47	A3	63	DQ32
16	A8	32	CE1	48	A10	64	Vss

PD0 = Open
PD1 = Open

FUNCTIONAL DIAGRAM



ORDERING INFORMATION

PART NUMBER CODING INTERPRETATION

Position 1 2 3 4 5 6 7 8

1 Product

AK = Accuthek Memory

2 Type

4 = Dynamic RAM
5 = CMOS Dynamic RAM
6 = Static RAM

3 Organization/Word Width

1 = by 1 16 = by 16
4 = by 4 32 = by 32
8 = by 8 36 = by 36
9 = by 9

4 Size/Bits Depth

64 = 64K 4096 = 4 MEG
256 = 256K 8192 = 8 MEG
1024 = 1 MEG 16384 = 16 MEG

5 Package Type

G = Single In-Line Package (SIP)
S = Single In-Line Module (SIM)
D = Dual In-Line Package (DIP)
W = .050 inch Pitch Edge Connect
Z = Zig-Zag In-Line Package (ZIP)

6 Special Designation

P = Page Mode
N = Nibble Mode
K = Static Column Mode
W = Write Per Bit Mode
V = Video Ram

7 Separator

- = Commercial 0°C to +70°C
M = Military Equivalent Screened (-55°C to +125°C)
I = Industrial Temperature Tested (-45°C to +85°C)
X = Burned In

8 Speed (first two significant digits)

DRAMS		SRAMS	
50 = 50 nS	8 = 8 nS		
60 = 60 nS	12 = 12 nS		
70 = 70 nS	15 = 15 nS		
80 = 80 nS	20 = 20 nS		

The numbers and coding on this page do not include all variations available but are shown as examples of the most widely used variations. Contact Accuthek if other information is required.

EXAMPLES:

AK63232W-12

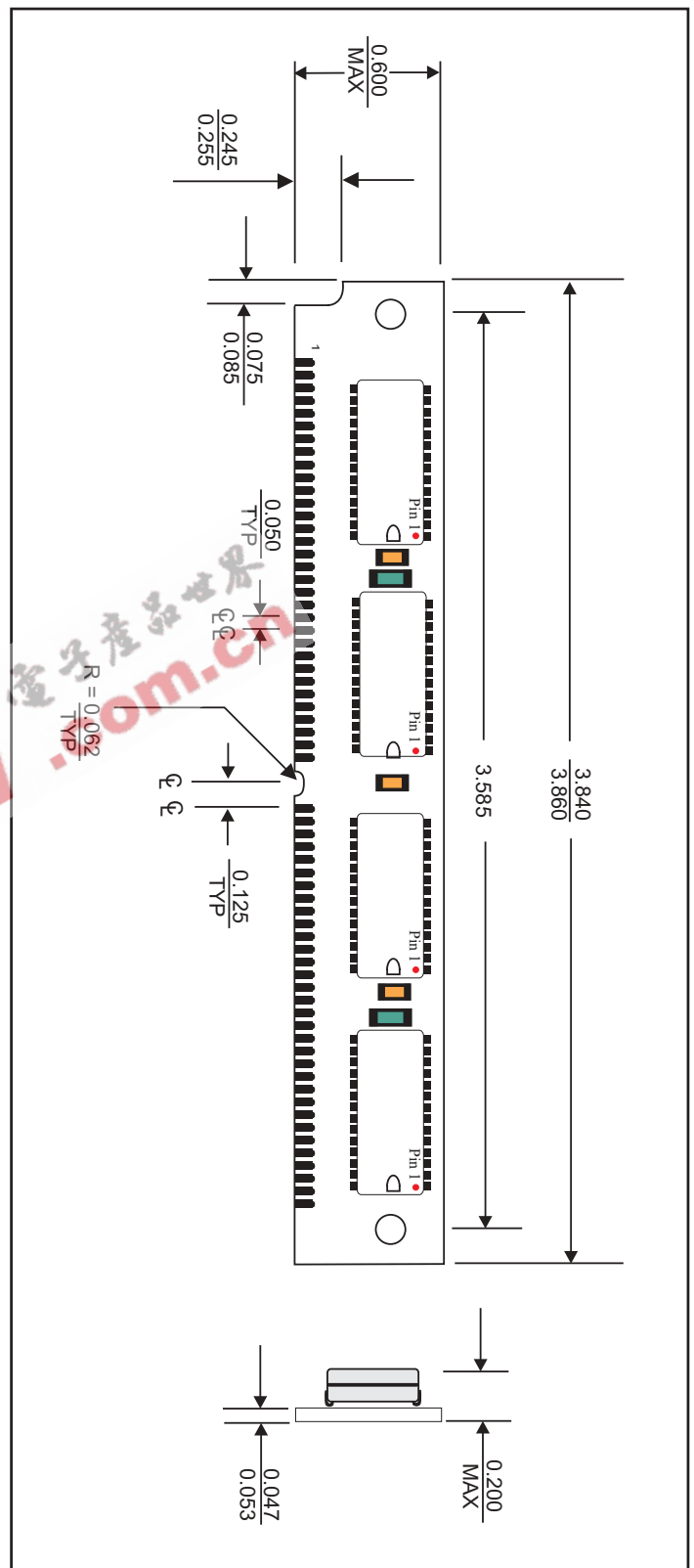
32K x 32, 12 nSEC SRAM SIM Module



ACCUTEK MICROCIRCUIT CORPORATION
BUSINESS CENTER at NEWBURYPORT
2 NEW PASTURE ROAD, SUITE 1
NEWBURYPORT, MA 01950-4054
PHONE: 978-465-6200 FAX: 978-462-3396
Email: sales@accutekmicro.com
Internet: www.accutekmicro.com

MECHANICAL DIMENSIONS

Inches



Accuthek reserves the right to make changes in specifications at any time and without notice. Accuthek does not assume any responsibility for the use of any circuitry described; no circuit patent licenses are implied. Preliminary data sheets contain minimum and maximum limits based upon design objectives, which are subject to change upon full characterization over the specific operating conditions.