

Part Number: AM2520EF/4YD5V

Yellow

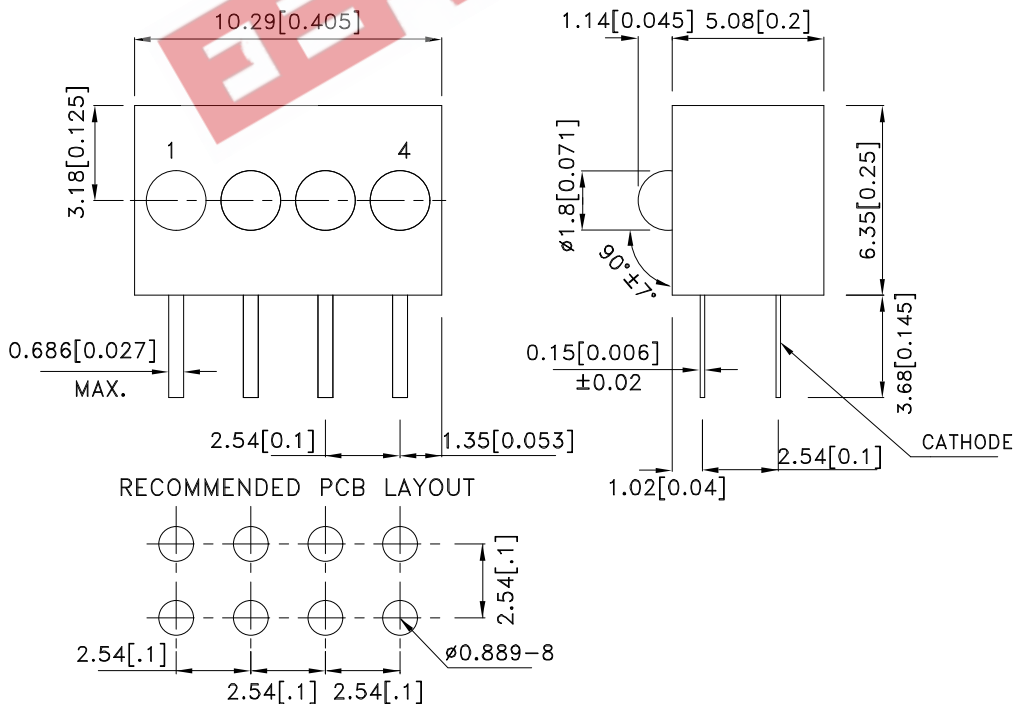
### Features

- BLACK CASE ENHANCES CONTRAST.
- VIBRATION AND SHOCK RESISTANT.
- AVAILABLE WITH A VARIETY OF LEDs.
- UL RATING : 94V-0.
- HOUSING MATERIAL: TYPE 66 NYLON.
- 5V INTERNAL RESISTOR.
- RoHS COMPLIANT.

### Description

The Yellow source color devices are made with Gallium Arsenide Phosphide on Gallium Phosphide Yellow Light Emitting Diode.

### Package Dimensions



#### Notes:

1. All dimensions are in millimeters (inches).
2. Tolerance is  $\pm 0.25(0.01")$  unless otherwise noted.
3. Lead spacing is measured where the leads emerge from the package.
4. Specifications are subject to change without notice.



## Selection Guide

Part No.	Dice	Lens Type	Iv (mcd) [2] V= 5V		Viewing Angle [1]
			Min.	Typ.	2 $\theta$ 1/2
AM2520EF/4YD5V	Yellow (GaAsP/GaP)	YELLOW DIFFUSED	1	3	40°

Notes:

1.  $\theta$ 1/2 is the angle from optical centerline where the luminous intensity is 1/2 the optical centerline value.
2. Luminous intensity/ luminous Flux: +/-15%.

## Electrical / Optical Characteristics at TA=25°C

Symbol	Parameter	Device	Typ.	Max.	Units	Test Conditions
$\lambda_{peak}$	Peak Wavelength	Yellow	590		nm	V <sub>F</sub> =5V
$\lambda_D$ [1]	Dominant Wavelength	Yellow	588		nm	V <sub>F</sub> =5V
$\Delta\lambda_{1/2}$	Spectral Line Half-width	Yellow	35		nm	V <sub>F</sub> =5V
I <sub>F</sub>	Forward Current	Yellow	13	17.5	mA	V <sub>F</sub> =5V
I <sub>R</sub>	Reverse Current	Yellow		10	uA	V <sub>R</sub> = 5V

Note:

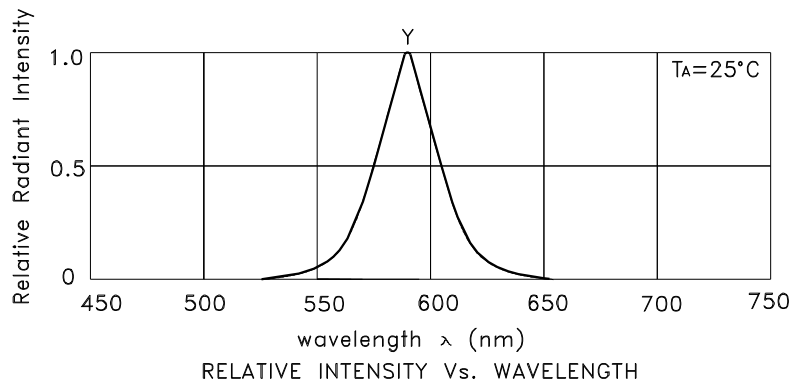
1. Wavelength: +/-1nm.

## Absolute Maximum Ratings at TA=25°C

Parameter	Yellow	Units
Power dissipation	85	mW
Forward Voltage	6	V
Reverse Voltage	5	V
Operating Temperature	-40°C To +70°C	
Storage Temperature	-40°C To +85°C	
Lead Solder Temperature [1]	260°C For 3 Seconds	
Lead Solder Temperature [2]	260°C For 5 Seconds	

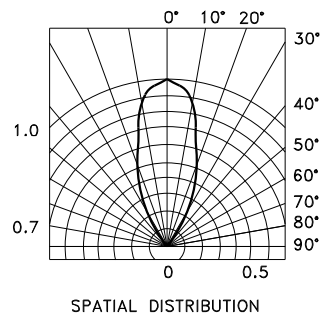
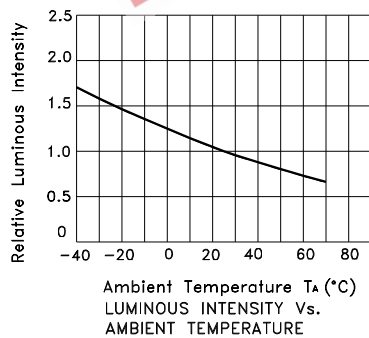
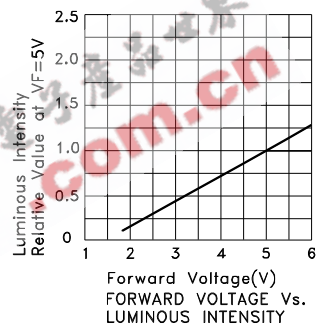
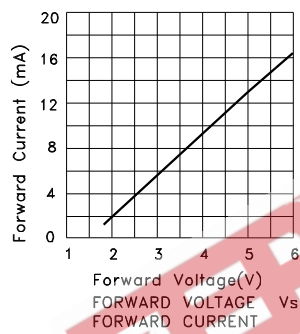
Notes:

1. 2mm below package base.
2. 5mm below package base.



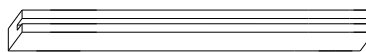
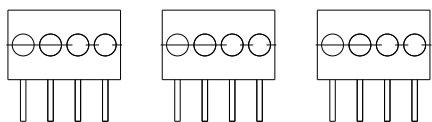
Yellow

AM2520EF/4YD5V

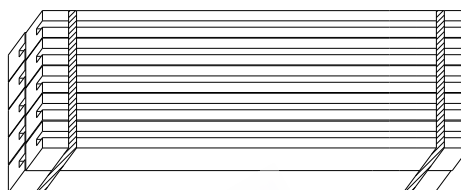


## PACKING & LABEL SPECIFICATIONS

AM2520EF/4YD5V



48PCS / IC TUBE




480pcs / 10pcs IC TUBE



OUTSIDE LABEL

10.56K / 10# BOX

<h1>Kingbright</h1>				
Q.C.	<table border="1"> <tr> <td style="text-align: center;">QC</td> </tr> <tr> <td style="text-align: center;">XX XX XX</td> </tr> <tr> <td style="text-align: center;">PASSED</td> </tr> </table>	QC	XX XX XX	PASSED
QC				
XX XX XX				
PASSED				
TYPE NO : AM2520EFxxx				
QUANTITY : 480 pcs				
S/N : XX	CODE: XX			
LOT NO :  <small>XX-HPXXX</small>				
RoHS Compliant				