

# Accutek Microcircuit Corporation

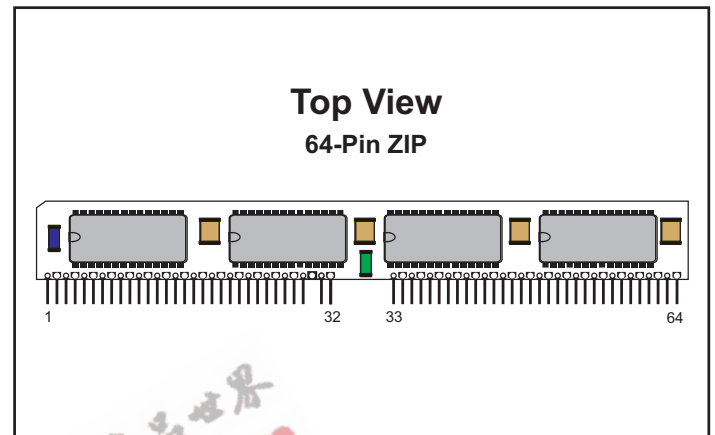
**AK63216Z**  
**16,384 x 32 Bit CMOS / BiCMOS**  
**Static Random Access Memory**

## DESCRIPTION

The Accutek AK63216Z SRAM Module consists of fast high performance SRAMs mounted on a low profile, 64 pin ZIP Board. The module utilizes four 28 pin 32K x 8 SRAMs in 300 mil SOJ packages and four decoupling capacitors mounted on the front side of a printed circuit board. Eliminating Pin 30 makes a 16K x 32 bit module using four 32K x 8 SRAMs.

The SRAMs used have common I/O functions and single output enable functions. Also, four separate chip select (CE) connections are used to independently enable the four bytes. The modules can be supplied in a variety of access time values from 8 nSEC to 45 nSEC in CMOS or BiCMOS technology.

The Accutek module is designed to have a maximum seated height of 0.500 inch. The module conforms to JEDEC-standard sizes and pin-out configurations. This, along with use of two pins for module memory density identification, PD<sub>0</sub> and PD<sub>1</sub>, minimizes interchangeability and design considerations when changing from one module size to the other in customer applications.



- Upward compatible with 32K x 32 (AK63232) 64K x 32 (AK63264), 256K x 32 (AK632256), 512K x 32 (AK632512) and 1 Meg x 32 (AK6321024)
- Presence Detect, PD<sub>0</sub> and PD<sub>1</sub> for identifying module density
- Fast Access Times range from 8 nSEC BiCMOS to 45 nSEC CMOS
- TTL compatible inputs and outputs
- Single 5 volt power supply - AK63216Z
- Single 3.3 volt power supply - AK63216Z/3.3
- Operating temperature range in free air, 0°C to 70°C

## FEATURES

- 16,384 x 32 bit organization
- JEDEC standard 64 pin ZIP format
- Common I/O, single OE functions with four separate chip selects (CE)
- Low height, 0.500 inch maximum seated height

## PIN NOMENCLATURE

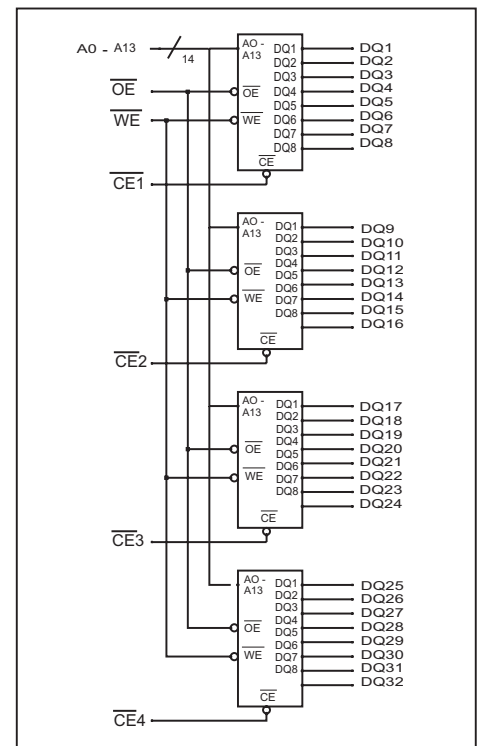
A <sub>0</sub> - A <sub>13</sub>	Address Inputs
CE <sub>1</sub> - CE <sub>4</sub>	Chip Enable
DQ <sub>1</sub> - DQ <sub>32</sub>	Data In/Data Out
OE	Output Enable
PD <sub>0</sub> - PD <sub>1</sub>	Presence Detect
V <sub>cc</sub>	Power Supply
V <sub>ss</sub>	Ground
WE	Write Enable

## PIN ASSIGNMENT

PIN #	SYMBOL	PIN #	SYMBOL	PIN #	SYMBOL	PIN #	SYMBOL
1	V <sub>ss</sub>	17	A <sub>2</sub>	33	CE <sub>4</sub>	49	A <sub>4</sub>
2	PD <sub>0</sub>	18	A <sub>9</sub>	34	CE <sub>3</sub>	50	A <sub>11</sub>
3	PD <sub>1</sub>	19	DQ <sub>13</sub>	35	NC	51	A <sub>5</sub>
4	DQ <sub>1</sub>	20	DQ <sub>5</sub>	36	NC	52	A <sub>12</sub>
5	DQ <sub>9</sub>	21	DQ <sub>14</sub>	37	OE	53	V <sub>cc</sub>
6	DQ <sub>2</sub>	22	DQ <sub>6</sub>	38	V <sub>ss</sub>	54	A <sub>13</sub>
7	DQ <sub>10</sub>	23	DQ <sub>15</sub>	39	DQ <sub>25</sub>	55	A <sub>6</sub>
8	DQ <sub>3</sub>	24	DQ <sub>7</sub>	40	DQ <sub>17</sub>	56	DQ <sub>21</sub>
9	DQ <sub>11</sub>	25	DQ <sub>16</sub>	41	DQ <sub>26</sub>	57	DQ <sub>29</sub>
10	DQ <sub>4</sub>	26	DQ <sub>8</sub>	42	DQ <sub>18</sub>	58	DQ <sub>22</sub>
11	DQ <sub>12</sub>	27	V <sub>ss</sub>	43	DQ <sub>27</sub>	59	DQ <sub>30</sub>
12	V <sub>cc</sub>	28	WE	44	DQ <sub>19</sub>	60	DQ <sub>23</sub>
13	A <sub>0</sub>	29	NC	45	DQ <sub>28</sub>	61	DQ <sub>31</sub>
14	A <sub>7</sub>	30	NC	46	DQ <sub>20</sub>	62	DQ <sub>24</sub>
15	A <sub>1</sub>	31	CE <sub>2</sub>	47	A <sub>3</sub>	63	DQ <sub>32</sub>
16	A <sub>8</sub>	32	CE <sub>1</sub>	48	A <sub>10</sub>	64	V <sub>ss</sub>

PD<sub>0</sub> = Open  
PD<sub>1</sub> = Open

## FUNCTIONAL DIAGRAM



## MODULE OPTIONS

Leaded ZIP: AK63216Z

## ORDERING INFORMATION

### PART NUMBER CODING INTERPRETATION

Position 1 2 3 4 5 6 7 8

#### 1 Product

AK = Accuthek Memory

#### 2 Type

4 = Dynamic RAM  
5 = CMOS Dynamic RAM  
6 = Static RAM

#### 3 Organization/Word Width

1 = by 1 16 = by 16  
4 = by 4 32 = by 32  
8 = by 8 36 = by 36  
9 = by 9

#### 4 Size/Bits Depth

64 = 64K 4096 = 4 MEG  
256 = 256K 8192 = 8 MEG  
1024 = 1 MEG 16384 = 16 MEG

#### 5 Package Type

G = Single In-Line Package (SIP)  
S = Single In-Line Module (SIM)  
D = Dual In-Line Package (DIP)  
W = .050 inch Pitch Edge Connect  
Z = Zig-Zag In-Line Package (ZIP)

#### 6 Special Designation

P = Page Mode  
N = Nibble Mode  
K = Static Column Mode  
W = Write Per Bit Mode  
V = Video Ram

#### 7 Separator

- = Commercial 0°C to +70°C  
M = Military Equivalent Screened (-55°C to +125°C)  
I = Industrial Temperature Tested (-45°C to +85°C)  
X = Burned In

#### 8 Speed (first two significant digits)

DRAMS		SRAMS	
50	= 50 nS	8	= 8 nS
60	= 60 nS	12	= 12 nS
70	= 70 nS	15	= 15 nS
80	= 80 nS	20	= 20 nS

The numbers and coding on this page do not include all variations available but are shown as examples of the most widely used variations. Contact Accuthek if other information is required.

### EXAMPLES:

AK63216Z-12

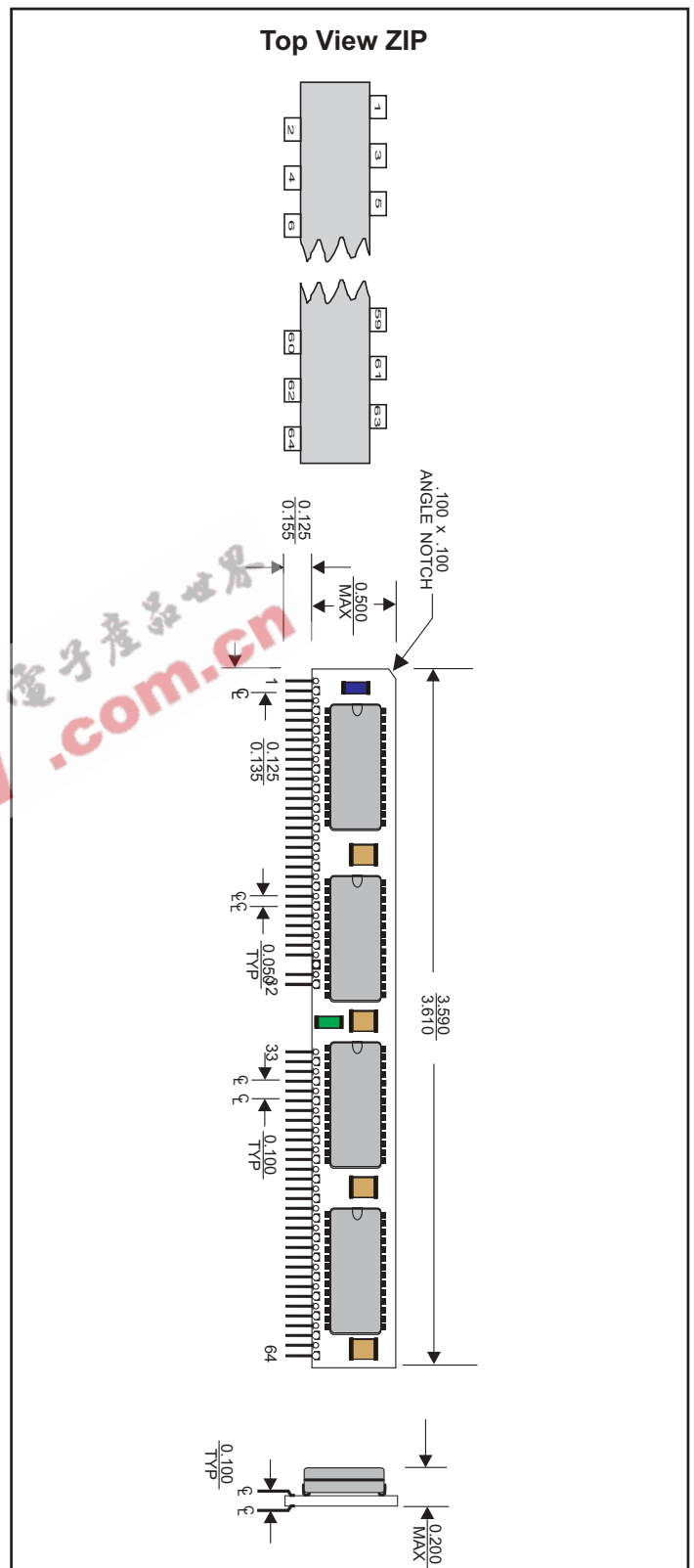
16K x 32, 12 nSEC SRAM ZIP Module



**ACCUTEK MICROCIRCUIT CORPORATION**  
BUSINESS CENTER at NEWBURYPORT  
2 NEW PASTURE ROAD, SUITE 1  
NEWBURYPORT, MA 01950-4054  
PHONE: 978-465-6200 FAX: 978-462-3396  
Email: sales@accutekmicro.com  
Internet: www.accutekmicro.com

## MECHANICAL DIMENSIONS

Inches



Accuthek reserves the right to make changes in specifications at any time and without notice. Accuthek does not assume any responsibility for the use of any circuitry described; no circuit patent licenses are implied. Preliminary data sheets contain minimum and maximum limits based upon design objectives, which are subject to change upon full characterization over the specific operating conditions.