

AM2520MGC03 MEGA GREEN

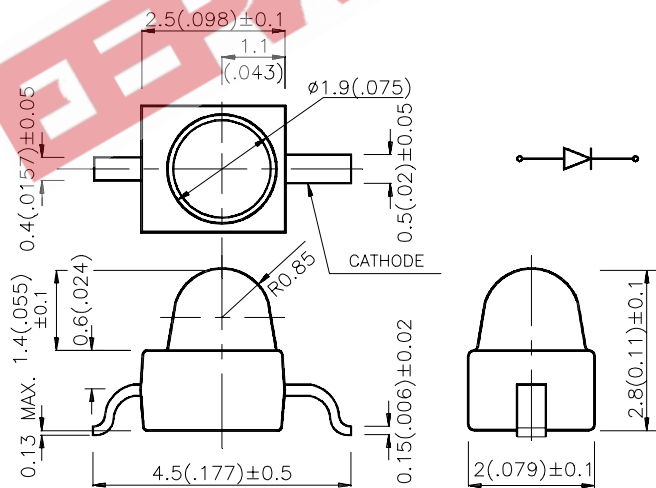
Features

- SUBMINIATURE PACKAGE.
- WIDE VIEWING ANGLE.
- GULL WING.
- LONG LIFE - SOLID STATE RELIABILITY.
- LOW PACKAGE PROFILE.
- PACKAGE : 1000PCS / REEL.

Description

The Mega Green source color devices are made with DH InGaAlP on GaAs substrate Light Emitting Diode.

Package Dimensions



Notes:

1. All dimensions are in millimeters (inches).
2. Tolerance is $\pm 0.25(0.01)$ unless otherwise noted.
3. Lead spacing is measured where the lead emerge package.
4. Specifications are subject to change without notice.

Selection Guide

| Part No. | Dice | Lens Type | Iv (mcd) @ 20 mA | | Viewing Angle |
|-------------|----------------------|-------------|---------------------|------|------------------|
| | | | Min. | Typ. | 2θ1/2 |
| AM2520MGC03 | MEGA GREEN (InGaAlP) | WATER CLEAR | 100 | 400 | 20° |

Note:

1. θ1/2 is the angle from optical centerline where the luminous intensity is 1/2 the optical centerline value.

Electrical / Optical Characteristics at T_A=25°C

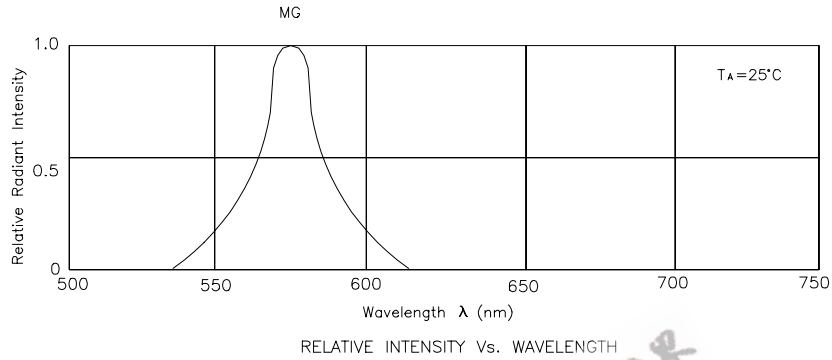
| Symbol | Parameter | Device | Typ. | Max. | Units | Test Conditions |
|-------------------|-------------------------|------------|------|------|-------|-----------------|
| λ _{peak} | Peak Wavelength | Mega Green | 574 | | nm | IF=20mA |
| λ _D | Dominate Wavelength | Mega Green | 568 | | nm | IF=20mA |
| Δλ 1/2 | Spectral Line Halfwidth | Mega Green | 26 | | nm | IF=20mA |
| C | Capacitance | Mega Green | 20 | | pF | VF=0V;f=1MHz |
| V _F | Forward Voltage | Mega Green | 2.1 | 2.5 | V | IF=20mA |
| I _r | Reverse Current | Mega Green | | 10 | uA | VR = 5V |

Absolute Maximum Ratings at T_A=25°C

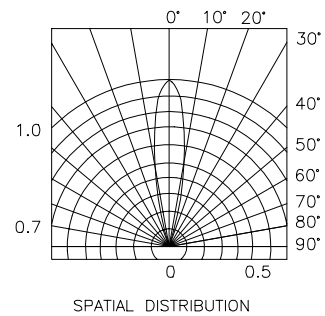
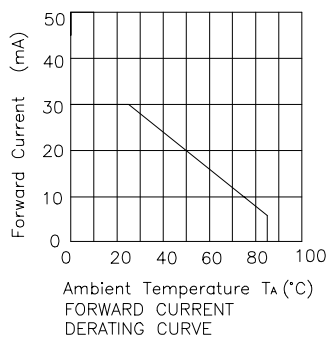
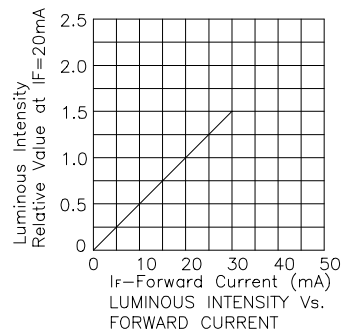
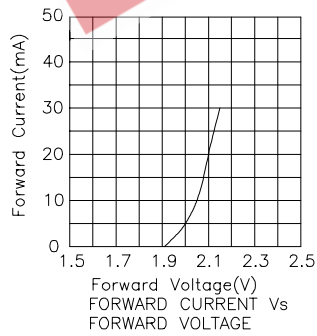
| Parameter | Mega Green | Units |
|-------------------------------|----------------|-------|
| Power dissipation | 105 | mW |
| DC Forward Current | 30 | mA |
| Peak Forward Current [1] | 205 | mA |
| Reverse Voltage | 5 | V |
| Operating/Storage Temperature | -40°C To +85°C | |

Note:

1. 1/10 Duty Cycle, 0.1ms Pulse Width.

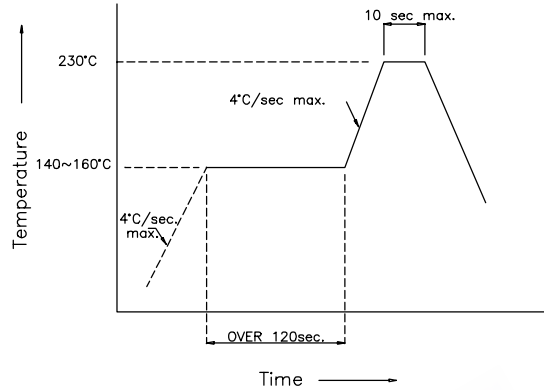


Mega Green AM2520MGC03

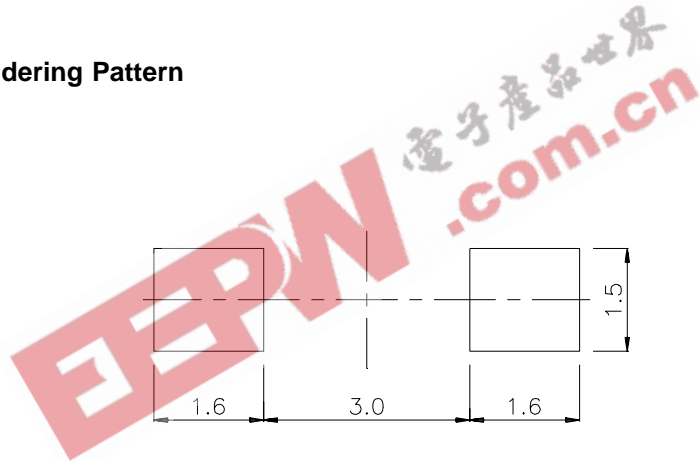


AM2520MGC03 SMT Reflow Soldering Instructions

Number of reflow process shall be less than 2 times and cooling process to normal temperature is required between first and second soldering process.



Recommended Soldering Pattern (Units : mm)



Tape Specifications (Units : mm)

