

AZ762

16 A SPDT MINIATURE POWER RELAY

FEATURES

- Dielectric strength 5000 Vrms
- Low cost
- Epoxy sealed version available
- 16 Amp switching
- Isolation spacing greater than 10 mm
- Reinforced insulation, EN 60730-1 (VDE 0631, part 1), EN 60335-1 (VDE 0700, part 1)
- UL, CUR file E44211
- VDE 40006031



CONTACTS

Arrangement	SPDT (1 Form C) SPST (1 Form A, 1 Form B)
Ratings	Resistive load: Max. switched power: 480 W or 4432 VA Max. switched current: 16 A Max. switched voltage: 150 VDC* or 440 VAC * Note: If switching voltage is greater than 30 VDC, special precautions must be taken. Please contact the factory.
Rated Load UL, CUR	16 A at 277 VAC resistive, 100k cycles [3] 16 A at 277 VAC resistive, 50k cycles [1] 1 HP at 250 VAC (1 Form A) [1] 1/2 HP at 125 VAC (1 Form A) [1] TV-5 at 125 VAC (1 Form A) [1] 16 A at 277 VAC resistive, 75k cycles [2] B300 Pilot Duty [2] R300 Pilot Duty [2]
VDE	16 A at 250 VAC resistive, [1] [2] and [3] 9 A at 250 VAC, inductive (Form A) [1] [2] and [3]
Material	Silver cadmium oxide [1] or silver tin oxide [2] or silver nickel [3]. Gold plating available
Resistance	< 50 milliohms initially

COIL

Power At Pickup Voltage (typical)	196 mW
Max. Continuous Dissipation	1.7 W at 20°C (68°F) ambient
Temperature Rise	26°C (47°F) at nominal coil voltage
Max. Temperature	130°C (266°F)

NOTES

1. All values at 20°C (68°F).
2. Relay may pull in with less than "Must Operate" value.
3. Specifications subject to change without notice.

GENERAL DATA

Life Expectancy Mechanical Electrical	Minimum operations 1 x 10 ⁷ 1 x 10 ⁵ at 16 A 250 VAC Res.
Operate Time (typical)	7 ms at nominal coil voltage
Release Time (typical)	3 ms at nominal coil voltage (with no coil suppression)
Dielectric Strength (at sea level for 1 min.)	5000 Vrms coil to contact 1000 Vrms between open contacts
Insulation Resistance	1000 megohms min. at 20°C 500 VDC 50% RH
Insulation (according to DIN VDE 0110, IEC 60664-1)	C250 Overvoltage category: III Pollution degree: 3 Nominal voltage: 250 VAC
Dropout	Greater than 10% of nominal coil voltage
Ambient Temperature Operating Storage	At nominal coil voltage -40°C (-40°F) to 85°C (185°F) -40°C (-40°F) to 105°C (221°F)
Vibration	0.062" (1.5 mm) DA at 10–55 Hz
Shock	10 g
Enclosure	P.B.T. polyester
Terminals	Tinned copper alloy, P.C.
Max. Solder Temp.	270°C (518°F)
Max. Solder Time	5 seconds
Max. Solvent Temp.	80°C (176°F)
Max. Immersion Time	30 Seconds
Weight	14 grams
Packing unit in pcs	20 per plastic tube / 1000 per carton box

ZETTLER electronics GmbH

Junkersstrasse 3, D-82178 Puchheim, Germany

Tel. +49 89 800 97 0
Fax +49 89 800 97 200

office@ZETTLERelectronics.com
www.ZETTLERelectronics.com

2004-09-27

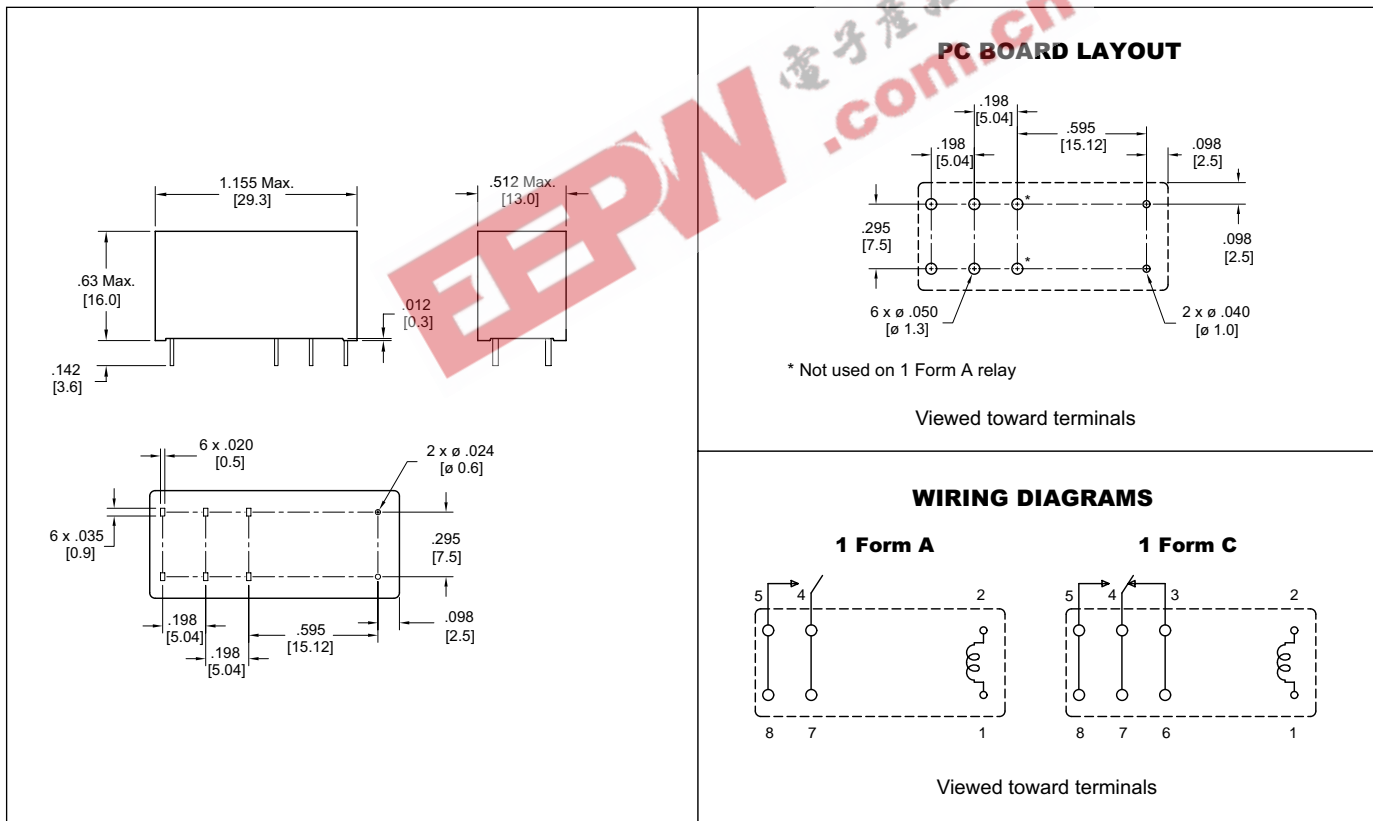
AZ762

RELAY ORDERING DATA

COIL SPECIFICATIONS – DC COIL				ORDER NUMBER*	
Nominal Coil VDC	Must Operate VDC	Max. Continuous VDC	Coil Resistance Ohm $\pm 10\%$	1 Form A	1 Form C
5	3.5	10.2	62	AZ762-1A-5D	AZ762-1C-5D
6	4.2	12.3	90	AZ762-1A-6D	AZ762-1C-6D
9	6.3	18.3	200	AZ762-1A-9D	AZ762-1C-9D
12	8.4	24.7	360	AZ762-1A-12D	AZ762-1C-12D
18	12.6	37.0	810	AZ762-1A-18D	AZ762-1C-18D
24	16.8	49.4	1,440	AZ762-1A-24D	AZ762-1C-24D
48	33.6	98.0	5,760	AZ762-1A-48D	AZ762-1C-48D
60	42.0	112.9	7,500	AZ762-1A-60D	AZ762-1C-60D
110	77.0	206.9	25,200	AZ762-1A-110D	AZ762-1C-110D

* "1A" or "1C" denote silver cadmium oxide contacts.
 Substitute "1B" in place of "1A" for 1 Form B contact.
 Add suffix "E" to "1A" or "1B" or "1C" for silver tin oxide contacts.
 Add suffix "B" to "1A" or "1B" or "1C" for silver nickel contacts.
 Add suffix "E" at the end of order number for sealed version.
 Add suffix "A" at the end of order number for gold plated contacts.

MECHANICAL DATA



Dimensions in inches with metric equivalents in parentheses. Tolerance: $\pm .010$ "

ZETTLER electronics GmbH

Junkersstrasse 3, D-82178 Puchheim, Germany

Tel. +49 89 800 97 0
 Fax +49 89 800 97 200

office@ZETTLERelectronics.com
 www.ZETTLERelectronics.com

2004-09-27