

INTRODUCTION

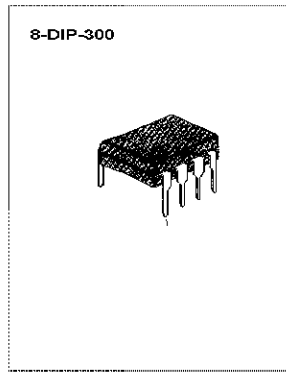
The KA2410/KA2411 is a bipolar integrated circuit designed for telephone bell replacement.

FUNCTIONS

- Two oscillators
- Output amplifier
- Power supply control circuit

FEATURES

- Designed for telephone bell replacement
- Low current drain.
- Small size 'MINIDIP' package.
- Adjustable 2-frequency tone.
- Adjustable warbling rate.
- Built-in hysteresis prevents false triggering and rotary dial 'CHIRPS'.
- Extension tone ringer modules.
- Alarms or other alerting devices.
- External triggering or ringer disable. (KA2410)
- Adjustable for reduced initial supply current. (KA2411)



ORDERING INFORMATION

| Device | Package | Operating Temperature |
|--------|-----------|-----------------------|
| KA2410 | 8-DIP-300 | - 45 ~ + 65°C |
| KA2411 | | |

PIN CONFIGURATION

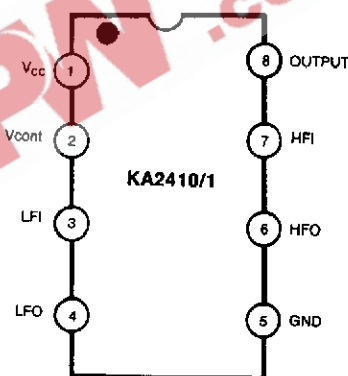


Fig. 1

ABSOLUTE MAXIMUM RATINGS ($T_a = 25^\circ\text{C}$)

| Characteristic | Symbol | Value | Unit |
|-----------------------|-----------|------------|------------------|
| Supply Voltage | V_{CC} | 30 | V |
| Power Dissipation | P_D | 400 | mW |
| Operating Temperature | T_{OPR} | - 45 ~ 65 | $^\circ\text{C}$ |
| Storage Temperature | T_{STG} | - 65 ~ 150 | $^\circ\text{C}$ |

ELECTRICAL CHARACTERISTICS ($T_a = 25^\circ\text{C}$)

(All voltage referenced to GND unless otherwise specified)

| Characteristic | Symbol | Test Conditions | Min | Typ | Max | Unit |
|---------------------------------|----------------|---|------|------|-------------------|---------------|
| Operating Voltage | V_{CC} | — | — | — | 29.0 | V |
| Initiation Voltage ¹ | V_{SI} | See Fig. 2 | 17 | 19 | 21 | V |
| Initiation Current ¹ | I_{SI} | KA2411-6.8K-Pin 2 to GND | 1.4 | 2.5 | 4.2 | mA |
| Sustaining Voltage ² | V_{SUS} | See Fig. 2 | 9.7 | 11.0 | 12.0 | V |
| Sustaining Current ² | I_{SUS} | No Load $V_{CC} = V_{SUS}$, See Fig. 2 | 0.7 | 1.4 | 2.5 | mA |
| Trigger Voltage ³ | V_{TRG} | KA2410 Only $V_{CC} = 15\text{V}$ | 9.0 | 10.5 | 12.0 | V |
| Trigger Current ³ | I_{TRG} | KA2410 Only | 10.0 | 20.0 | 1000 ⁵ | μA |
| Disable Voltage ⁴ | V_{DIS} | KA2410 Only | — | — | 0.8 | V |
| Disable Current ⁴ | I_{DIS} | KA2410 Only | - 40 | - 50 | — | μA |
| Output Voltage High | V_{OH} | $V_{CC} = 21\text{V}$, $I_b = -15\text{mA}$ Pin 6 = 6V, Pin 7 = GND | 17.0 | 19.0 | 21.0 | V |
| Output Voltage Low | V_{OL} | $V_{CC} = 21\text{V}$, $I_b = 15\text{mA}$ Pin 6 = GND, Pin 7 = 6V | — | — | 1.6 | V |
| Input Current 1 (Pin 3) | $I_{I(PIN 3)}$ | Pin 3 = 6V, Pin 4 = GND | — | — | 500 | nA |
| Input Current 2 (Pin 7) | $I_{I(PIN 7)}$ | Pin 7 = 6V, Pin 6 = GND | — | — | 500 | nA |
| High Frequency 1 | f_{H1} | $R_3 = 191\text{K}$, $C_3 = 6800\text{pF}$ | 461 | 512 | 563 | Hz |
| High Frequency 2 | f_{H2} | $R_3 = 191\text{K}$, $C_3 = 6800\text{pF}$ | 576 | 640 | 704 | Hz |
| Low Frequency | f_L | $R_2 = 165\text{K}$, $C_2 = 0.47\mu\text{F}$ | 9.0 | 10 | 11.0 | Hz |

• NOTE (see electrical characteristics sheet)

1. Initial supply voltage (V_{SI}) is the supply voltage required to start the tone ringer oscillating.
2. Sustaining voltage (V_{SUS}) is the supply voltage required to maintain oscillation.
3. V_{TR} and I_{TR} are the conditions applied to trigger in to start oscillation for $V_{SUS} \leq V_{CC} \leq V_{SI}$
4. V_{DIS} and I_{DIS} are the conditions applied to trigger in to inhibit oscillation for $V_{SI} \leq V_{CC}$
5. Trigger current must be limited to this value externally.

GRAPH

KA2410 Supply Current (No Load) Vs. Supply Voltage

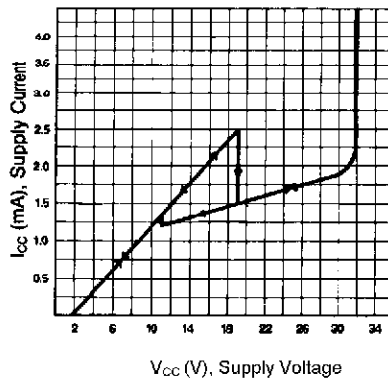


Fig. 2

KA2411 Supply Current (No Load) Vs. Supply Voltage

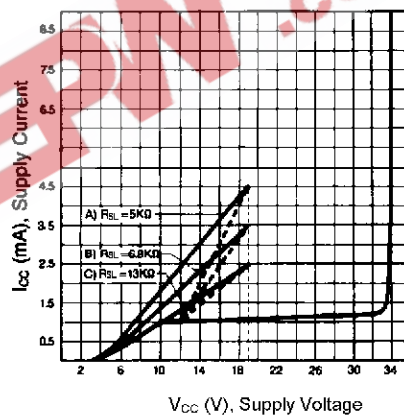


Fig. 3

APPLICATION INFORMATION

The application circuit illustrates the use of the KA2410/1 devices in typical telephone or extensive tone ringer applications. The AC ringer signal voltage appears across the TIP and RING inputs of the circuit and is attenuated by capacitor C₁ and resistor R₁. C₁ also provides isolation from DC voltages (48V) on the exchange line. After full wave rectification by the bridge diode, the waveform is filtered by capacitor C₄ to provide a DC supply for the tone ringer chip. When this voltage exceeds the initiation (V_{SI}), oscillation starts. With the components shown, the output frequency chops between 512 Hz (f_{H1}) and 640Hz (f_{H2}) at a 10Hz (f_L) rate. The loudspeaker load is coupled through a 1300Ω to 8Ω transformer. The output coupling capacitor C₅ is required with transformer coupled loads. When driving a piezo-ceramic transducer type load, the coupling C₅ and transformer (1300Ω :8Ω) are not required. However, a current limiting resistor is required. The low frequency oscillator oscillates at a rate (f_L) controlled by an external resistor (R₂) and capacitor (C₂). The frequency can be determined using the relation $f_L = 1/(1.289 R_2 \cdot C_2)$. The high frequency oscillates at a f_{H1}, f_{H2} controlled by an external resistor (R₃) and capacitor (C₃). The frequency can be determined using the relation $f_{H1} = 1/(1.504 R_3 \cdot C_3)$ voltage remains constant independent of R_{SL}.

Pin 2 of the KA2411 allows connection of an external resistor R_{SL}, which is used to program the slope of the supply current vs supply voltage characteristics (see Fig. 3) and hence the supply current up to the initial voltage (V_{SI}). This initial voltage remains constant independent of R_{SL}.

The supply current drawn prior to triggering varies inversely with R_{SL}, decreasing for an increasing value of resistance. Thus, increasing the value of R_{SL}, will decrease the amount of AC ringing current required to trigger the device. As such longer subscriber loops are possible since less voltage is dropt per unit length of loop wire due to the lower current level. R_{SL} can also be used to compensate for smaller AC coupling capacitors (C₅ on Fig. 5) (higher impedance) to the line which is used to alter the ringer equivalence number of a tone ringer circuit.

The graph in Fig. 3 illustrates the variation of supply current with supply voltage of the KA2411. Three curves are drawn to show the variation of initiation current with R_{SL}. Curve B (R_{SL} = 6.8kΩ) shows the I-V characteristic for the KA2411 tone ringer. Curve A is a plot with R_{SL} < 6.8kΩ and shows an increase in the current drawn up to the initiation voltage V_{SI}. After initiation, the I-V characteristic remain unchanged. Curve C illustrates the effect of increasing R_{SL} above 6.8kΩ initiation current decreases but is unchanged again after triggering.

APPLICATION CIRCUIT 1 (KA2410)

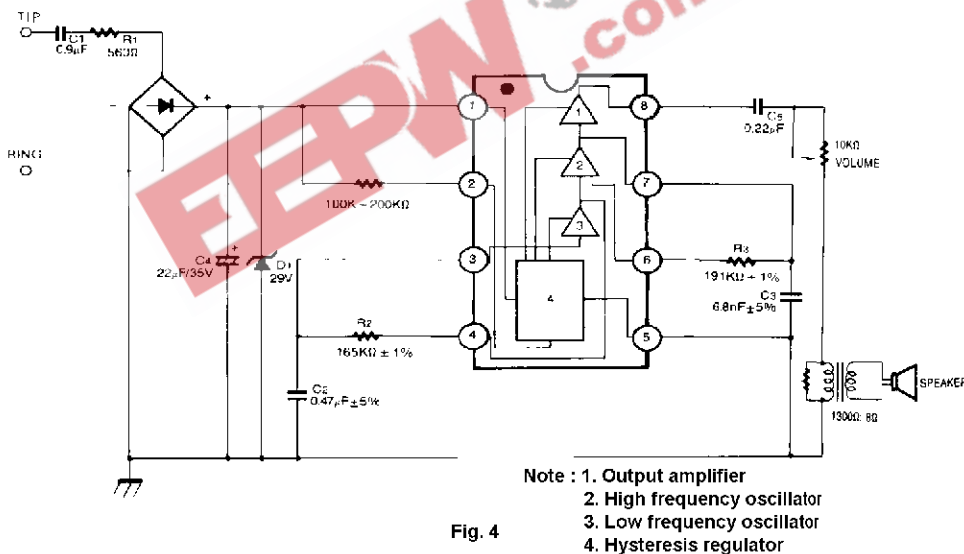


Fig. 4

APPLICATION CIRCUIT 2 (KA2411)

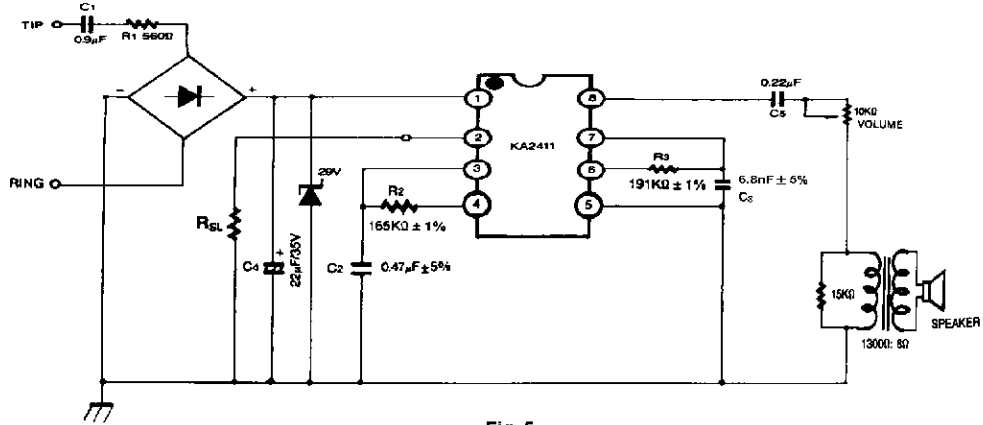


Fig. 5

EQUIVALENT CIRCUIT
(Pin 2 Input)

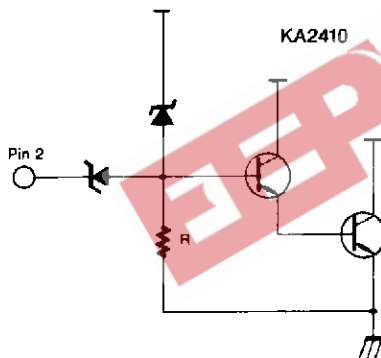


Fig. 6

INHIBITING OSCILLATION

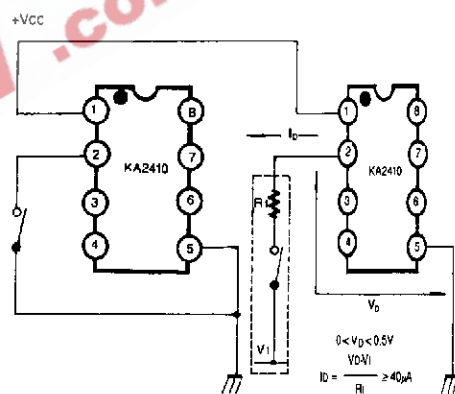


Fig. 7

TRIGGERING THE KA2410 FROM CMOS OR TTL LOGIC

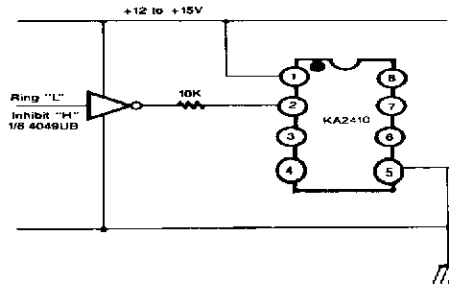


Fig. 8

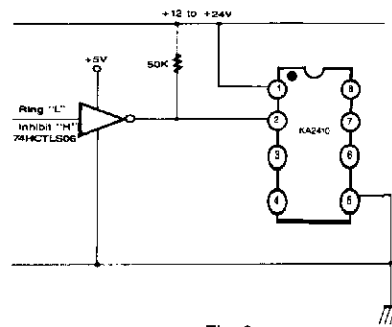


Fig. 9

PROGRAMMING THE KA2410 INITIATION SUPPLY VOLTAGE

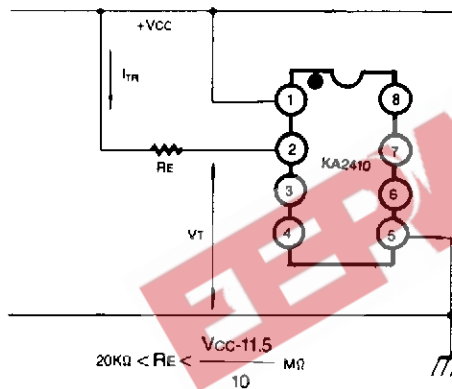


Fig. 10

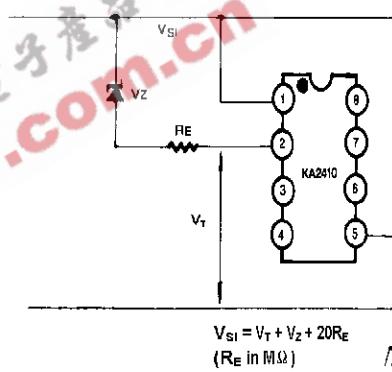


Fig. 11

Dimensions in Millimeters

