

**PULSE-WIDTH-MODULATION CONTROL CIRCUITS****AZ7500B/C****General Description**

The AZ7500B/C is a voltage mode pulse width modulation switching regulator control circuit designed primarily for power supply control.

The AZ7500B/C consists of a reference voltage circuit, two error amplifiers, an on-chip adjustable oscillator, a dead-time control (DTC) comparator, a pulse-steering control flip-flop, and an output control circuit. The precision of voltage reference (V_{REF}) is improved up to $\pm 1\%$ through trimming and this provides a better output voltage regulation. The AZ7500B/C provides for push-pull or single-ended output operation, which can be selected through the output control.

The difference between AZ7500B and AZ7500C is that they have 4.95V and 5V reference voltage respectively.

The AZ7500B/C is available in standard packages of DIP-16 and SOIC-16.

Features

- Stable 4.95V/5V Reference Voltage Trimmed to $\pm 1.0\%$ Accuracy
- Uncommitted Output TR for 200mA Sink or Source Current
- Single-End or Push-Pull Operation Selected by Output Control
- Internal Circuitry Prohibits Double Pulse at Either Output
- Complete PWM Control Circuit with Variable Duty Cycle
- On-Chip Oscillator With Master or Slave Operation

Applications

- SMPS
- Back Light Inverter
- Charger

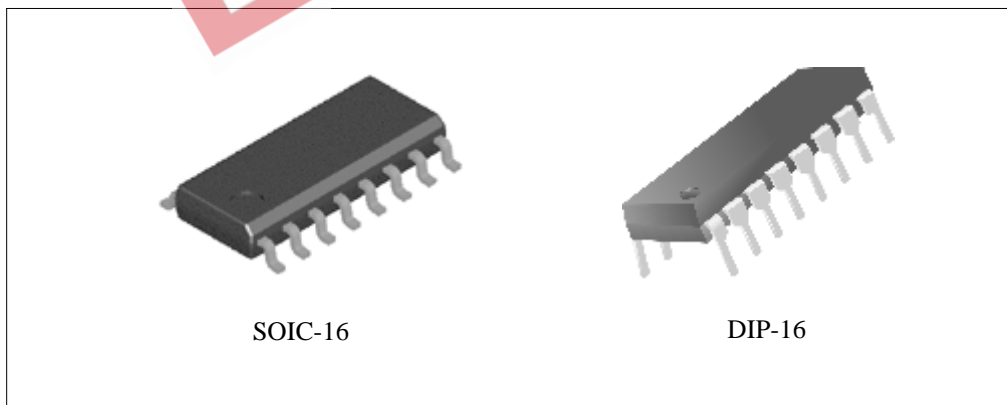


Figure 1. Package Types of AZ7500B/C



PULSE-WIDTH-MODULATION CONTROL CIRCUITS

AZ7500B/C

Pin Configuration

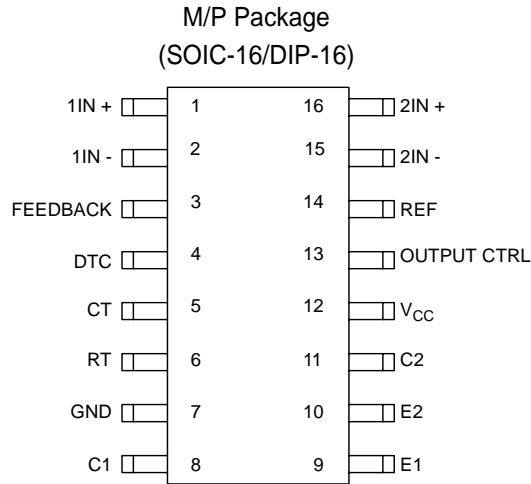


Figure 2. Pin Configuration of AZ7500B/C (Top View)

Output Function Control Table

Signal for Output Control	Output Function
$V_I = \text{GND}$	Single-ended or parallel output
$V_I = V_{\text{REF}}$	Normal push-pull operation

Functional Block Diagram

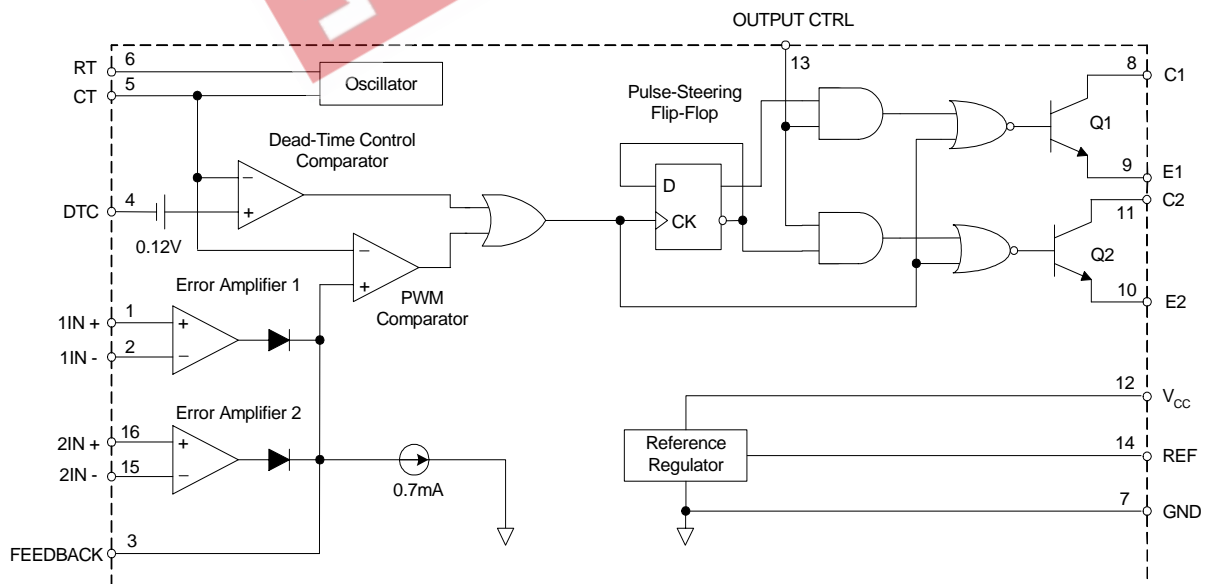


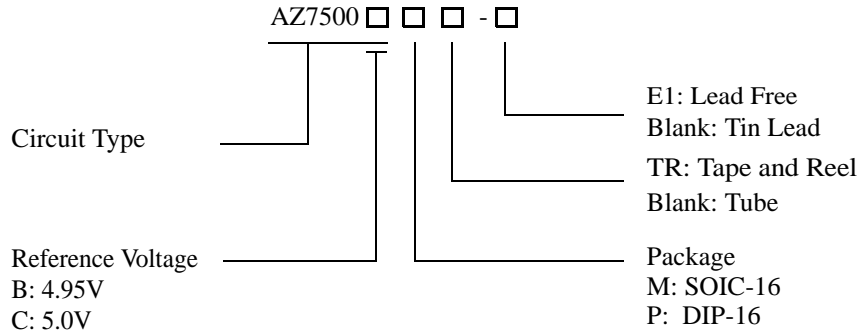
Figure 3. Functional Block Diagram of AZ7500B/C



PULSE-WIDTH-MODULATION CONTROL CIRCUITS

AZ7500B/C

Ordering Information



Package	Temperature Range	Part Number		Marking ID		Packing Type
		Tin Lead	Lead Free	Tin Lead	Lead Free	
SOIC-16	-40 to 85°C	AZ7500BM	AZ7500BM-E1	AZ7500BM	AZ7500BM-E1	Tube
		AZ7500BMTR	AZ7500BMTR-E1	AZ7500BM	AZ7500BM-E1	Tape & Reel
		AZ7500CM	AZ7500CM-E1	AZ7500CM	AZ7500CM-E1	Tube
		AZ7500CMTR	AZ7500CMTR-E1	AZ7500CM	AZ7500CM-E1	Tape & Reel
DIP-16		AZ7500BP	AZ7500BP-E1	AZ7500BP	AZ7500BP-E1	Tube
		AZ7500CP	AZ7500CP-E1	AZ7500CP	AZ7500CP-E1	Tube

BCD Semiconductor's Pb-free products, as designated with "E1" suffix in the part number, are RoHS compliant.

**PULSE-WIDTH-MODULATION CONTROL CIRCUITS****AZ7500B/C****Absolute Maximum Ratings (Note 1)**

Parameter	Symbol	Value	Unit
Supply Voltage (Note 2)	V_{CC}	40	V
Amplifier Input Voltage	V_I	-0.3 to $V_{CC} + 0.3$	V
Collector Output Voltage	V_O	40	V
Collector Output Current	I_O	250	mA
Package Thermal Impedance (Note 3)	$R\theta_{JA}$	M Package	73
		P Package	67
Lead Temperature 1.6mm from case for 10 seconds		260	°C
Storage Temperature Range	T_{STG}	-65 to 150	°C
ESD rating (Machine Model)		200	V

Note 1: Stresses greater than those listed under "Absolute Maximum Ratings" may cause permanent damage to the device. These are stress ratings only, and functional operation of the device at these or any other conditions beyond those indicated under "Recommended Operating Conditions" is not implied. Exposure to "Absolute Maximum Ratings" for extended periods may affect device reliability.

Note 2: All voltage values are with respect to the network ground terminal.

Note 3: Maximum power dissipation is a function of $T_J(\max)$, $R\theta_{JA}$ and T_A . The maximum allowable power dissipation at any allowable ambient temperature is $P_D = (T_J(\max) - T_A) / R\theta_{JA}$. Operating at the absolute maximum T_J of 150°C can affect reliability.

Recommended Operating Conditions

Parameter	Symbol	Min	Typ	Max	Unit
Supply Voltage	V_{CC}	7	15	36	V
Collector Output Voltage	V_{C1}, V_{C2}		30	36	V
Collector Output Current (Each Transistor)	I_{C1}, I_{C2}			200	mA
Amplifier Input Voltage	V_I	0.3		$V_{CC} - 2$	V
Current Into Feedback Terminal	I_{FB}			0.3	mA
Reference Output Current	I_{REF}			10	mA
Timing Capacitor	C_T	0.00047	0.001	10	μF
Timing Resistor	R_T	1.8	30	500	KΩ
Oscillator Frequency	f_{osc}	1.0	40	200	KHz
PWM Input Voltage (Pin 3, 4, 14)		0.3		5.3	V
Operating Free-Air Temperature	T_A	-40		85	°C



PULSE-WIDTH-MODULATION CONTROL CIRCUITS

AZ7500B/C

Electrical Characteristics

T_A = 25°C, V_{CC}=20V, f=10KHz unless otherwise noted.

Parameter	Symbol	Conditions	Min	Typ	Max	Unit
Reference Section						
Output Reference Voltage for AZ7500B	V _{REF}	I _{REF} =1mA	4.90	4.95	5.0	V
		I _{REF} =1mA, T _A = -40 to 85°C	4.85	4.95	5.05	V
Output Reference Voltage for AZ7500C	V _{REF}	I _{REF} =1mA	4.95	5.0	5.05	V
		I _{REF} =1mA, T _A = -40 to 85°C	4.9	5.0	5.1	V
Line Regulation	R _{LINE}	V _{CC} = 7V to 36V		2	25	mV
Load Regulation	R _{LOAD}	I _{REF} =1mA to 10mA		1	15	mV
Short-Circuit Output Current	I _{SC}	V _{REF} = 0V	10	35	50	mA
Oscillator Section						
Oscillator Frequency	f _{OSC}	C _T =0.001μF, R _T =30KΩ		40		KHz
		C _T =0.01μF, R _T =12KΩ	9.2	10	10.8	
		C _T =0.01μF, R _T =12KΩ, T _A = -40 to 85°C	9.0		12	
Frequency Change with Temperature	Δf /ΔT	C _T =0.01μF, R _T =12KΩ, T _A = -40 to 85°C			1	%
Dead-Time Control Section						
Input Bias Current	I _{BIAS}	V _{CC} =15V, V ₄ = 0 to 5.25V		-2	-10	μA
Maximum Duty Cycle,	D(MAX)	V _{CC} =15V, V ₄ = 0V, Pin 13= V _{REF}	45			%
Input Threshold Voltage	V _{ITH}	Zero Duty Cycle		3	3.3	V
		Maximum Duty Cycle	0			
Error-Amplifier Section						
Input Offset Voltage	V _{IO}	V ₃ = 2.5V		2	10	mV
Input Offset Current	I _{IO}	V ₃ = 2.5V		25	250	nA
Input Bias Current	I _{BIAS}	V ₃ = 2.5V		0.2	1	μA
Common-Mode Input Voltage Range	V _{CM}	V _{CC} =7V to 36V	-0.3		V _{CC} -2	V
Open-Loop Voltage Gain	G _{VO}	V _O =0.5V to 3.5V	70	95		dB
Unity-Gain Bandwidth	BW			650		KHz
Common-Mode Rejection Ratio	CMRR		65	80		dB
Output Sink Current (Feedback)	I _{SINK}	V _{ID} = -15mV to -5V, V ₃ = 0.7V	-0.3	-0.7		mA
Output Source Current (Feedback)	I _{SOURCE}	V _{ID} =15mV to 5V, V ₃ = 3.5V	2			mA



PULSE-WIDTH-MODULATION CONTROL CIRCUITS

AZ7500B/C

Electrical Characteristics (Continued)

Parameter	Symbol	Conditions	Min	Typ	Max	Unit
PWM Comparator Section						
Input Threshold Voltage	V_{ITH}	Zero duty cycle		4	4.5	V
Input Sink Current	I_{SINK}	$V_3 = 0.7V$	-0.3	-0.7		mA
Output Section						
Output Saturation Voltage	Common Emitter	V_{CE} (SAT) $V_E = 0V, I_C = 200mA$		1.1	1.3	V
	Emitter Follower	V_{CC} (SAT) $V_{CC} = 15V, I_E = -200mA$		1.5	2.5	
Collector Off-State Current	I_C (OFF)	$V_{CE} = 36V, V_{CC} = 36V$		2	100	μA
Emitter Off-State Current	I_E (OFF)	$V_{CC} = V_C = 36V, V_E = 0$			-100	μA
Total Device						
Supply Current	I_{CC}	Pin 6 = $V_{REF}, V_{CC} = 15V$		6	10	mA
Output Switching Characteristics						
Rise Time	t_R	Common Emitter Common Collector		100	200	ns
Fall Time	t_F	Common Emitter Common Collector		25	100	ns



PULSE-WIDTH-MODULATION CONTROL CIRCUITS

AZ7500B/C

Parametr Measurement information

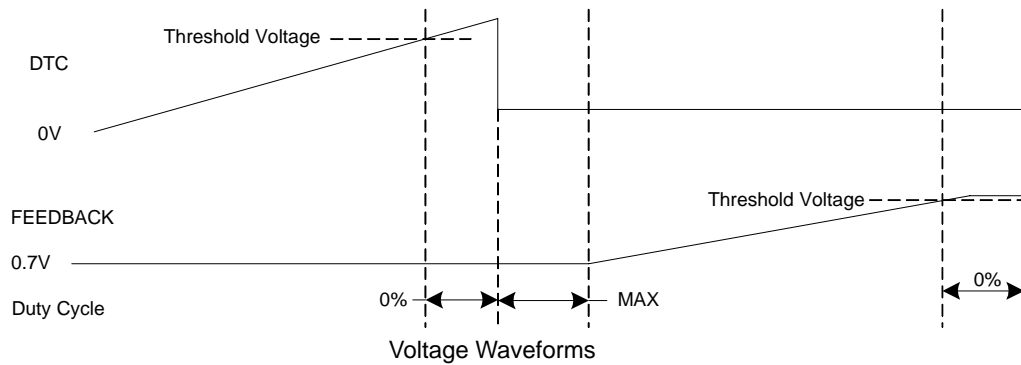
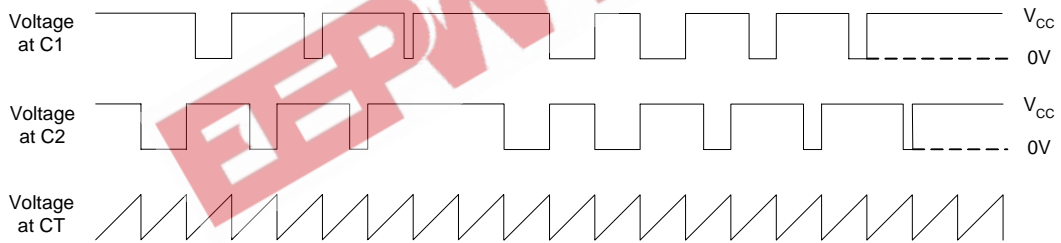
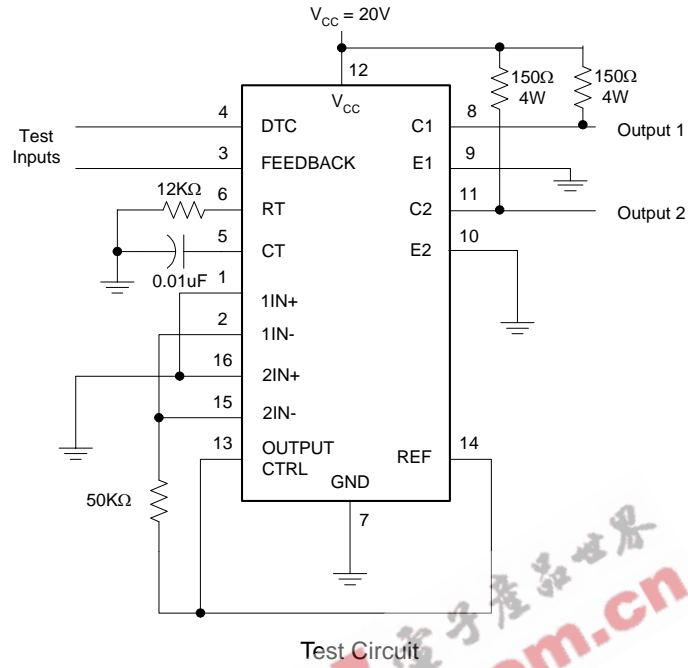


Figure 4. Operational Test Circuit and Waveforms



PULSE-WIDTH-MODULATION CONTROL CIRCUITS

AZ7500B/C

Parametr Measurement information (Continued)

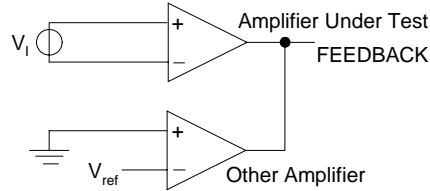
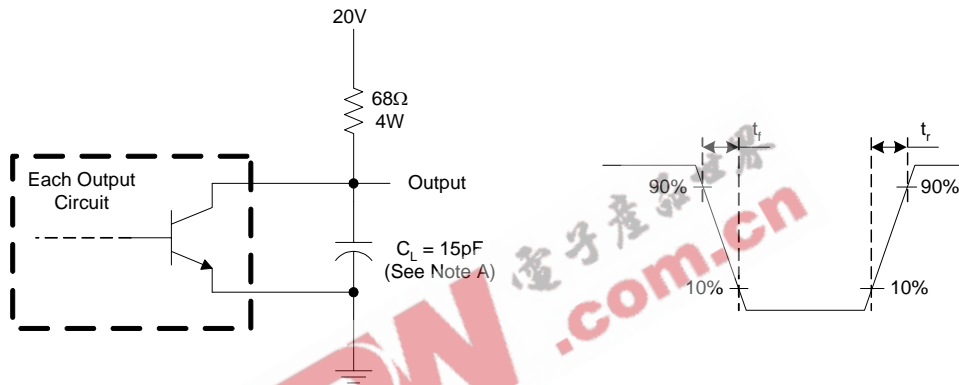
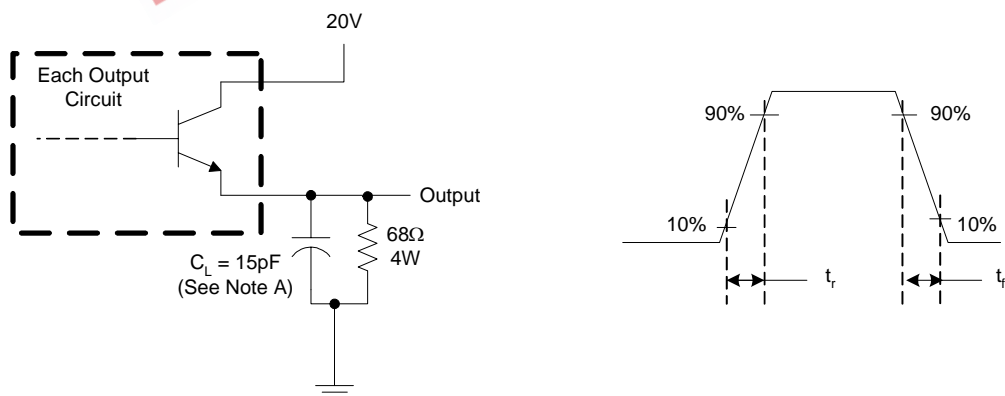


Figure 5. Error Amplifier Characteristics



Note A: C_L includes probe and jig capacitance.

Figure 6. Common-Emitter Configuration



Note A: C_L includes probe and jig capacitance.

Figure 7. Emitter-Follower Configuration



Typical Performance Characteristics

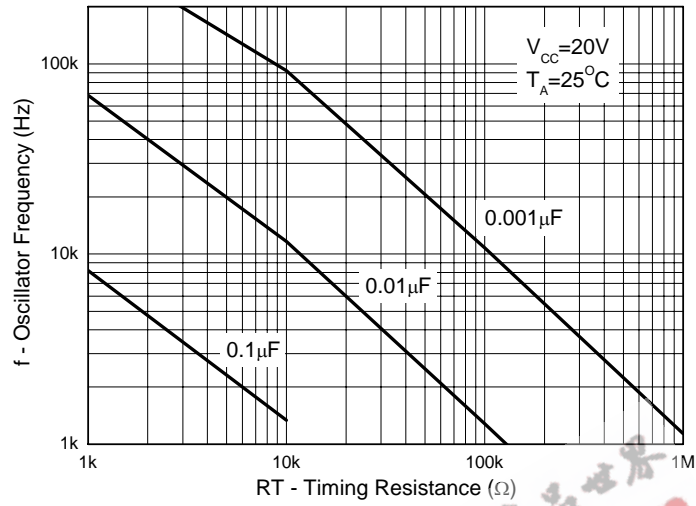


Figure 8. Oscillator Frequency vs. RT and CT

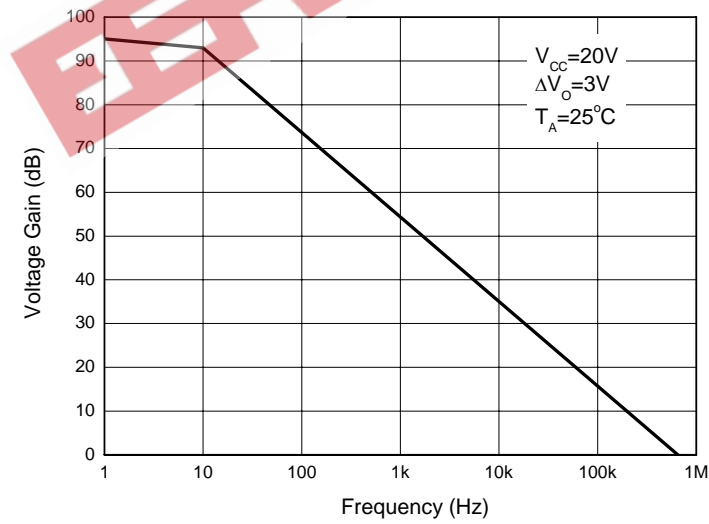


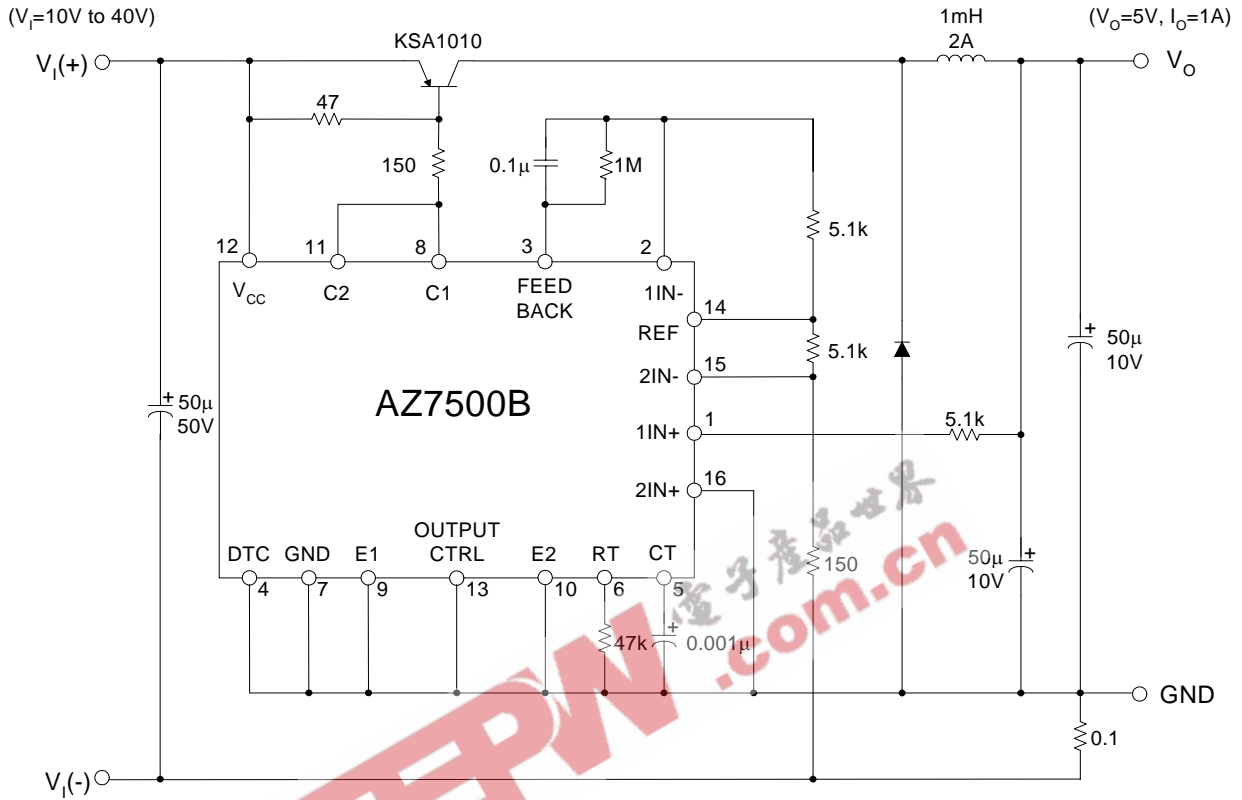
Figure 9. Error Amplifier Small-Signal Voltage Gain vs. Frequency



PULSE-WIDTH-MODULATION CONTROL CIRCUITS

AZ7500B/C

Typical Applications





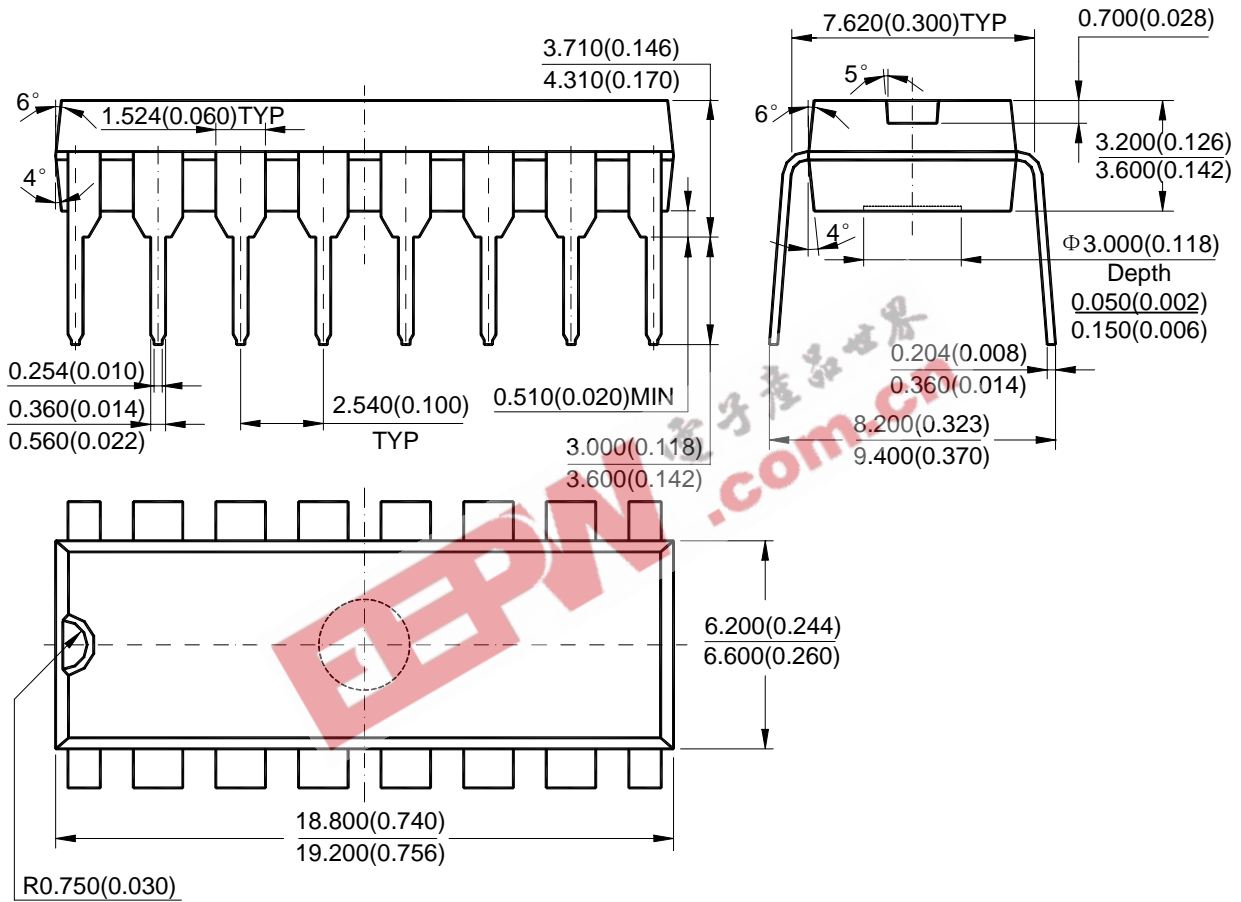
PULSE-WIDTH-MODULATION CONTROL CIRCUITS

AZ7500B/C

Mechanical Dimensions (Continued)

DIP-16

Unit: mm(inch)





BCD Semiconductor Manufacturing Limited

<http://www.bcdsemi.com>

EEPW.com.cn
电子世界

IMPORTANT NOTICE

BCD Semiconductor Manufacturing Limited reserves the right to make changes without further notice to any products or specifications herein. BCD Semiconductor Manufacturing Limited does not assume any responsibility for use of any its products for any particular purpose, nor does BCD Semiconductor Manufacturing Limited assume any liability arising out of the application or use of any its products or circuits. BCD Semiconductor Manufacturing Limited does not convey any license under its patent rights or other rights nor the rights of others.

MAIN SITE

BCD Semiconductor Manufacturing Limited
- Wafer Fab
Shanghai SIM-BCD Semiconductor Manufacturing Limited
800, Yi Shan Road, Shanghai 200233, China
Tel: +86-21-6485 1491, Fax: +86-21-5450 0008

BCD Semiconductor Manufacturing Limited
- IC Design Group
Advanced Analog Circuits (Shanghai) Corporation
8F, Zone B, 900, Yi Shan Road, Shanghai 200233, China
Tel: +86-21-6495 9539, Fax: +86-21-6485 9673

REGIONAL SALES OFFICE

Shenzhen Office
Shanghai SIM-BCD Semiconductor Manufacturing Co., Ltd. Shenzhen Office
Advanced Analog Circuits (Shanghai) Corporation Shenzhen Office
27B, Tower C, 2070, Middle Shen Nan Road, Shenzhen 518031, China
Tel: +86-755-8368 3987, Fax: +86-755-8368 3166

Taiwan Office
BCD Semiconductor (Taiwan) Company Limited
4F, 298-1, Rui Guang Road, Nei-Hu District, Taipei,
Taiwan
Tel: +886-2-2656 2808, Fax: +886-2-2656 2806

USA Office
BCD Semiconductor Corporation
3170 De La Cruz Blvd., Suite 105, Santa Clara,
CA 95054-2411, U.S.A
Tel: +1-408-988 6388, Fax: +1-408-988 6386