

PZUxB series

Single Zener diodes in a SOD323F package

Rev. 01 — 7 March 2006

Product data sheet

1. Product profile

1.1 General description

General-purpose Zener diodes in a SOD323F (SC-90) very small and flat lead Surface Mounted Device (SMD) plastic package.

1.2 Features

- Total power dissipation: ≤ 310 mW
- Tolerance series: B: approximately ± 5 %; B1, B2, B3: sequential, approximately ± 2 %
- Small plastic package suitable for surface mounted design
- Wide working voltage range: nominal 2.4 V to 36 V

1.3 Applications

- General regulation functions

1.4 Quick reference data

Table 1. Quick reference data

| Symbol | Parameter | Conditions | Min | Typ | Max | Unit |
|-----------|-------------------------|----------------------|-------|-----|-----|------|
| V_F | forward voltage | $I_F = 100$ mA | [1] - | - | 1.1 | V |
| P_{tot} | total power dissipation | $T_{amb} \leq 25$ °C | [2] - | - | 310 | mW |
| | | | [3] - | - | 550 | mW |

[1] Pulse test: $t_p \leq 300$ μ s; $\delta \leq 0.02$.


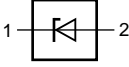
[2] Device mounted on an FR4 Printed-Circuit Board (PCB), single-sided copper, tin-plated and standard footprint.

[3] Device mounted on an FR4 PCB, single-sided copper, tin-plated, mounting pad for cathode 1 cm².

PHILIPS

2. Pinning information

Table 2. Pinning

| Pin | Description | Simplified outline | Symbol |
|-----|-------------|---|--|
| 1 | cathode |  |  <small>sym068</small> |
| 2 | anode | | |

[1] The marking bar indicates the cathode.

3. Ordering information

Table 3. Ordering information

| Type number | Package | | |
|----------------------------------|---------|--|---------|
| | Name | Description | Version |
| PZU2.4B to PZU36B ^[1] | SC-90 | plastic surface mounted package; 2 leads | SOD323F |

[1] The series consists of 97 types with nominal working voltages from 2.4 V to 36 V.

4. Marking

Table 4. Marking codes

| Type number | Marking code | | | | Type number | Marking code | | | |
|-------------|--------------|----|----|----|-------------|--------------|----|----|----|
| | B | B1 | B2 | B3 | | B | B1 | B2 | B3 |
| PZU2.4 | G3 | - | - | - | PZU10 | GJ | FH | HF | KB |
| PZU2.7 | G4 | F3 | H1 | - | PZU11 | GK | FJ | HG | KC |
| PZU3.0 | G5 | F4 | H2 | - | PZU12 | GL | FK | HH | KD |
| PZU3.3 | G6 | F5 | H3 | - | PZU13 | GM | FL | HJ | KE |
| PZU3.6 | G7 | F6 | H4 | - | PZU14 | - | - | HK | - |
| PZU3.9 | G8 | F7 | H5 | - | PZU15 | GN | FM | HL | KF |
| PZU4.3 | G9 | F8 | H6 | HS | PZU16 | GP | FN | HM | KG |
| PZU4.7 | GA | F9 | H7 | HT | PZU18 | GQ | FP | HN | KH |
| PZU5.1 | GB | FA | H8 | HU | PZU20 | GR | FQ | HP | KJ |
| PZU5.6 | GC | FB | H9 | HV | PZU22 | GS | FR | HQ | KK |
| PZU6.2 | GD | FC | HA | HW | PZU24 | GT | FS | HR | KL |
| PZU6.8 | GE | FD | HB | HX | PZU27 | GU | - | - | - |
| PZU7.5 | GF | FE | HC | HY | PZU30 | GV | - | - | - |
| PZU8.2 | GG | FF | HD | HZ | PZU33 | GW | - | - | - |
| PZU9.1 | GH | FG | HE | KA | PZU36 | GX | - | - | - |

5. Limiting values

Table 5. Limiting values

In accordance with the Absolute Maximum Rating System (IEC 60134).

| Symbol | Parameter | Conditions | Min | Max | Unit |
|-----------|---|-----------------------------|-------|---|------|
| I_F | forward current | | - | 200 | mA |
| I_{ZSM} | non-repetitive peak reverse current | | - | see Table 8 and 9 | |
| P_{ZSM} | non-repetitive peak reverse power dissipation | | [1] - | 40 | W |
| P_{tot} | total power dissipation | $T_{amb} \leq 25\text{ °C}$ | [2] - | 310 | mW |
| | | | [3] - | 550 | mW |
| T_j | junction temperature | | - | 150 | °C |
| T_{amb} | ambient temperature | | -65 | +150 | °C |
| T_{stg} | storage temperature | | -65 | +150 | °C |

[1] $t_p = 100\ \mu\text{s}$; square wave; $T_j = 25\text{ °C}$ prior to surge

[2] Device mounted on an FR4 PCB, single-sided copper, tin-plated and standard footprint.

[3] Device mounted on an FR4 PCB, single-sided copper, tin-plated, mounting pad for cathode 1 cm^2 .

6. Thermal characteristics

Table 6. Thermal characteristics

| Symbol | Parameter | Conditions | Min | Typ | Max | Unit |
|----------------|--|-------------|-------|-----|-----|------|
| $R_{th(j-a)}$ | thermal resistance from junction to ambient | in free air | [1] - | - | 400 | K/W |
| | | | [2] - | - | 230 | K/W |
| $R_{th(j-sp)}$ | thermal resistance from junction to solder point | | [3] - | - | 55 | K/W |

[1] Device mounted on an FR4 PCB, single-sided copper, tin-plated and standard footprint.

[2] Device mounted on an FR4 PCB, single-sided copper, tin-plated, mounting pad for cathode 1 cm^2 .

[3] Soldering point of cathode tab.

7. Characteristics

Table 7. Characteristics

$T_j = 25\text{ °C}$ unless otherwise specified.

| Symbol | Parameter | Conditions | Min | Typ | Max | Unit |
|--------|-----------------|-----------------------|-------|-----|-----|------|
| V_F | forward voltage | $I_F = 10\text{ mA}$ | [1] - | - | 0.9 | V |
| | | $I_F = 100\text{ mA}$ | [1] - | - | 1.1 | V |

[1] Pulse test: $t_p \leq 300\ \mu\text{s}$; $\delta \leq 0.02$.

Table 8. Characteristics per type; PZU2.4B to PZU5.6B3

 $T_j = 25\text{ }^\circ\text{C}$ unless otherwise specified.

| PZU xxx | Sel | Working voltage V_Z (V); $I_Z = 5\text{ mA}$ | | Maximum differential resistance r_{dif} (Ω) | | Reverse current I_R (μA) | | Temperature coefficient S_Z (mV/K); $I_Z = 5\text{ mA}$ | Diode capacitance C_d (pF) ^[1] | Non-repetitive peak reverse current I_{ZSM} (A) ^[2] |
|------------|-----|---|------|---|---------------------|---|-----------|--|---|--|
| | | Min | Max | $I_Z = 0.5\text{ mA}$ | $I_Z = 5\text{ mA}$ | Max | V_R (V) | Typ | Max | Max |
| 2.4 | B | 2.3 | 2.6 | 1000 | 100 | 50 | 1 | -1.6 | 450 | 8 |
| 2.7 | B | 2.5 | 2.9 | 1000 | 100 | 20 | 1 | -2.0 | 440 | 8 |
| | B1 | 2.5 | 2.75 | | | | | | | |
| | B2 | 2.65 | 2.9 | | | | | | | |
| 3.0 | B | 2.80 | 3.20 | 1000 | 95 | 10 | 1 | -2.1 | 425 | 8 |
| | B1 | 2.80 | 3.05 | | | | | | | |
| | B2 | 2.95 | 3.20 | | | | | | | |
| 3.3 | B | 3.10 | 3.50 | 1000 | 95 | 5 | 1 | -2.4 | 410 | 8 |
| | B1 | 3.10 | 3.35 | | | | | | | |
| | B2 | 3.25 | 3.50 | | | | | | | |
| 3.6 | B | 3.40 | 3.80 | 1000 | 90 | 5 | 1 | -2.4 | 390 | 8 |
| | B1 | 3.40 | 3.65 | | | | | | | |
| | B2 | 3.55 | 3.80 | | | | | | | |
| 3.9 | B | 3.70 | 4.10 | 1000 | 90 | 3 | 1 | -2.5 | 370 | 8 |
| | B1 | 3.70 | 3.97 | | | | | | | |
| | B2 | 3.87 | 4.10 | | | | | | | |
| 4.3 | B | 4.01 | 4.48 | 1000 | 90 | 3 | 1 | -2.5 | 350 | 8 |
| | B1 | 4.01 | 4.21 | | | | | | | |
| | B2 | 4.15 | 4.34 | | | | | | | |
| | B3 | 4.28 | 4.48 | | | | | | | |
| 4.7 | B | 4.42 | 4.90 | 800 | 80 | 2 | 1 | -1.4 | 325 | 8 |
| | B1 | 4.42 | 4.61 | | | | | | | |
| | B2 | 4.55 | 4.75 | | | | | | | |
| | B3 | 4.69 | 4.90 | | | | | | | |
| 5.1 | B | 4.84 | 5.37 | 250 | 60 | 2 | 1.5 | 0.3 | 300 | 5.5 |
| | B1 | 4.84 | 5.04 | | | | | | | |
| | B2 | 4.98 | 5.20 | | | | | | | |
| | B3 | 5.14 | 5.37 | | | | | | | |
| 5.6 | B | 5.31 | 5.92 | 100 | 40 | 1 | 2.5 | 1.9 | 275 | 5.5 |
| | B1 | 5.31 | 5.55 | | | | | | | |
| | B2 | 5.49 | 5.73 | | | | | | | |
| | B3 | 5.67 | 5.92 | | | | | | | |

[1] $f = 1\text{ MHz}$; $V_R = 0\text{ V}$ [2] $t_p = 100\text{ }\mu\text{s}$; square wave; $T_j = 25\text{ }^\circ\text{C}$ prior to surge

Table 9. Characteristics per type; PZU6.2B to PZU36B

 $T_j = 25^\circ\text{C}$ unless otherwise specified.

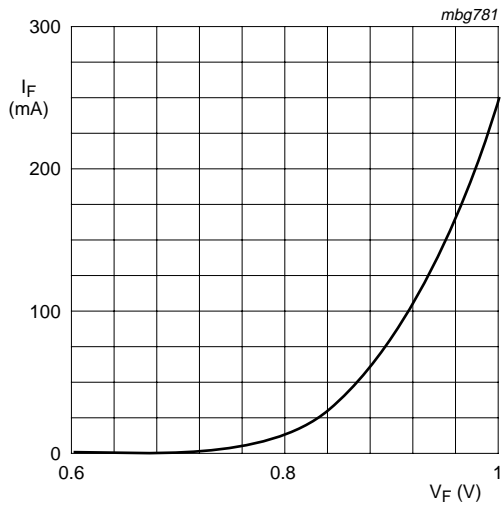
| PZU xxx | Sel | Working voltage V_Z (V); $I_Z = 5\text{ mA}$ | | Maximum differential resistance r_{dif} (Ω) | | Reverse current I_R (nA) | | Temperature coefficient S_Z (mV/K); $I_Z = 5\text{ mA}$ | Diode capacitance C_d (pF) ^[1] | Non-repetitive peak reverse current I_{ZSM} (A) ^[2] |
|------------|-----|---|-------|---|---------------------|----------------------------------|-----------|--|---|--|
| | | Min | Max | $I_Z = 0.5\text{ mA}$ | $I_Z = 5\text{ mA}$ | Max | V_R (V) | Typ | Max | Max |
| 6.2 | B | 5.86 | 6.53 | 80 | 30 | 500 | 3 | 2.7 | 250 | 5.5 |
| | B1 | 5.86 | 6.12 | | | | | | | |
| | B2 | 6.06 | 6.33 | | | | | | | |
| | B3 | 6.26 | 6.53 | | | | | | | |
| 6.8 | B | 6.47 | 7.14 | 60 | 20 | 500 | 3.5 | 3.4 | 215 | 5.5 |
| | B1 | 6.47 | 6.73 | | | | | | | |
| | B2 | 6.65 | 6.93 | | | | | | | |
| | B3 | 6.86 | 7.14 | | | | | | | |
| 7.5 | B | 7.06 | 7.84 | 60 | 10 | 500 | 4 | 4.0 | 170 | 3.5 |
| | B1 | 7.06 | 7.36 | | | | | | | |
| | B2 | 7.28 | 7.60 | | | | | | | |
| | B3 | 7.52 | 7.84 | | | | | | | |
| 8.2 | B | 7.76 | 8.64 | 60 | 10 | 500 | 5 | 4.6 | 150 | 3.5 |
| | B1 | 7.76 | 8.10 | | | | | | | |
| | B2 | 8.02 | 8.36 | | | | | | | |
| | B3 | 8.28 | 8.64 | | | | | | | |
| 9.1 | B | 8.56 | 9.55 | 60 | 10 | 500 | 6 | 5.5 | 120 | 3.5 |
| | B1 | 8.56 | 8.93 | | | | | | | |
| | B2 | 8.85 | 9.23 | | | | | | | |
| | B3 | 9.15 | 9.55 | | | | | | | |
| 10 | B | 9.45 | 10.55 | 60 | 10 | 100 | 7 | 6.4 | 110 | 3.5 |
| | B1 | 9.45 | 9.87 | | | | | | | |
| | B2 | 9.77 | 10.21 | | | | | | | |
| | B3 | 10.11 | 10.55 | | | | | | | |
| 11 | B | 10.44 | 11.56 | 60 | 10 | 100 | 8 | 7.4 | 108 | 3 |
| | B1 | 10.44 | 10.88 | | | | | | | |
| | B2 | 10.76 | 11.22 | | | | | | | |
| | B3 | 11.10 | 11.56 | | | | | | | |
| 12 | B | 11.42 | 12.60 | 80 | 10 | 100 | 9 | 8.4 | 105 | 3 |
| | B1 | 11.42 | 11.90 | | | | | | | |
| | B2 | 11.74 | 12.24 | | | | | | | |
| | B3 | 12.08 | 12.60 | | | | | | | |
| 13 | B | 12.47 | 13.96 | 80 | 10 | 100 | 10 | 9.4 | 103 | 2.5 |
| | B1 | 12.47 | 13.03 | | | | | | | |
| | B2 | 12.91 | 13.49 | | | | | | | |
| | B3 | 13.37 | 13.96 | | | | | | | |
| 14 | B2 | 13.70 | 14.30 | 80 | 10 | 100 | 11 | 10.4 | 101 | 2 |

Table 9. Characteristics per type; PZU6.2B to PZU36B ...continued

 $T_j = 25\text{ }^\circ\text{C}$ unless otherwise specified.

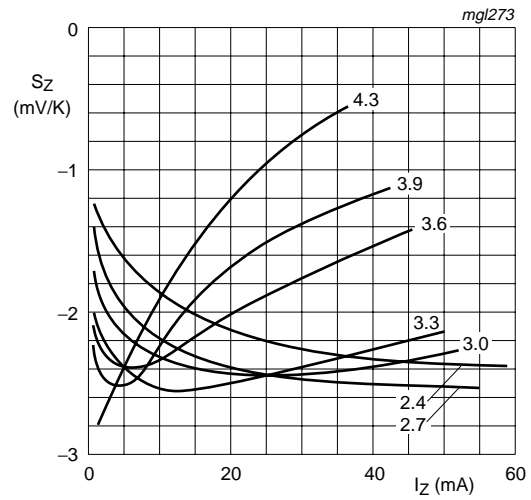
| PZU xxx | Sel | Working voltage V_Z (V); $I_Z = 5\text{ mA}$ | | Maximum differential resistance r_{dif} (Ω) | | Reverse current I_R (nA) | | Temperature coefficient S_Z (mV/K); $I_Z = 5\text{ mA}$ | Diode capacitance C_d (pF) ^[1] | Non-repetitive peak reverse current I_{ZSM} (A) ^[2] |
|------------|-----|---|-------|---|---------------------|----------------------------------|-----------|--|---|--|
| | | Min | Max | $I_Z = 0.5\text{ mA}$ | $I_Z = 5\text{ mA}$ | Max | V_R (V) | Typ | Max | Max |
| 15 | B | 13.84 | 15.52 | 80 | 15 | 50 | 11 | 11.4 | 99 | 2 |
| | B1 | 13.84 | 14.46 | | | | | | | |
| | B2 | 14.34 | 14.98 | | | | | | | |
| | B3 | 14.85 | 15.52 | | | | | | | |
| 16 | B | 15.37 | 17.09 | 80 | 20 | 50 | 12 | 12.4 | 97 | 1.5 |
| | B1 | 15.37 | 16.01 | | | | | | | |
| | B2 | 15.85 | 16.51 | | | | | | | |
| | B3 | 16.35 | 17.09 | | | | | | | |
| 18 | B | 16.94 | 19.03 | 80 | 20 | 50 | 13 | 14.4 | 93 | 1.5 |
| | B1 | 16.94 | 17.70 | | | | | | | |
| | B2 | 17.56 | 18.35 | | | | | | | |
| | B3 | 18.21 | 19.03 | | | | | | | |
| 20 | B | 18.86 | 21.08 | 100 | 20 | 50 | 15 | 16.4 | 88 | 1.5 |
| | B1 | 18.86 | 19.70 | | | | | | | |
| | B2 | 19.52 | 20.39 | | | | | | | |
| | B3 | 20.21 | 21.08 | | | | | | | |
| 22 | B | 20.88 | 23.17 | 100 | 25 | 50 | 17 | 18.4 | 84 | 1.3 |
| | B1 | 20.88 | 21.77 | | | | | | | |
| | B2 | 21.54 | 22.47 | | | | | | | |
| | B3 | 22.23 | 23.17 | | | | | | | |
| 24 | B | 22.93 | 25.57 | 120 | 30 | 50 | 19 | 20.4 | 80 | 1.3 |
| | B1 | 22.93 | 23.96 | | | | | | | |
| | B2 | 23.72 | 24.78 | | | | | | | |
| | B3 | 24.54 | 25.57 | | | | | | | |
| 27 | B | 25.1 | 28.9 | 150 | 40 | 50 | 21 | 23.4 | 73 | 1 |
| 30 | B | 28 | 32 | 200 | 40 | 50 | 23 | 26.6 | 66 | 1 |
| 33 | B | 31 | 35 | 250 | 40 | 50 | 25 | 29.7 | 60 | 0.9 |
| 36 | B | 34 | 38 | 300 | 60 | 50 | 27 | 33.0 | 59 | 0.8 |

[1] $f = 1\text{ MHz}$; $V_R = 0\text{ V}$ [2] $t_p = 100\text{ }\mu\text{s}$; square wave; $T_j = 25\text{ }^\circ\text{C}$ prior to surge



$T_j = 25\text{ }^\circ\text{C}$

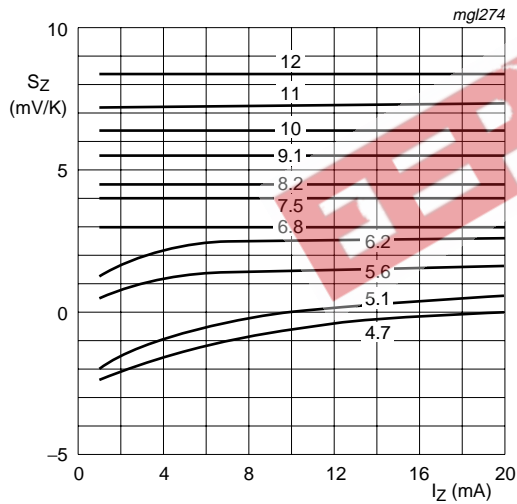
Fig 1. Forward current as a function of forward voltage; typical values



PZU2.4B to PZU4.3B

$T_j = 25\text{ }^\circ\text{C}$ to $150\text{ }^\circ\text{C}$

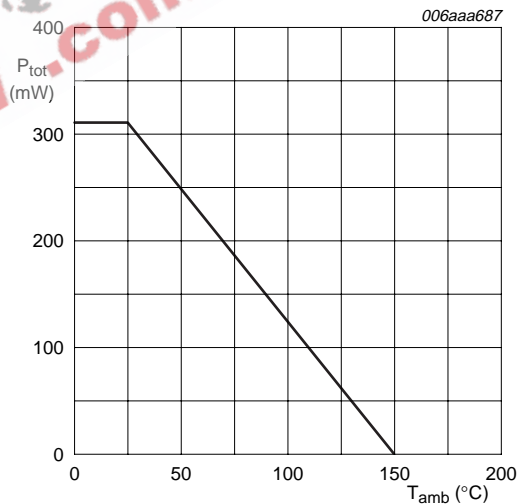
Fig 2. Temperature coefficient as a function of working current; typical values



PZU4.7B to PZU12B

$T_j = 25\text{ }^\circ\text{C}$ to $150\text{ }^\circ\text{C}$

Fig 3. Temperature coefficient as a function of working current; typical values



FR4 PCB, standard footprint

Fig 4. Power derating curve

8. Package outline

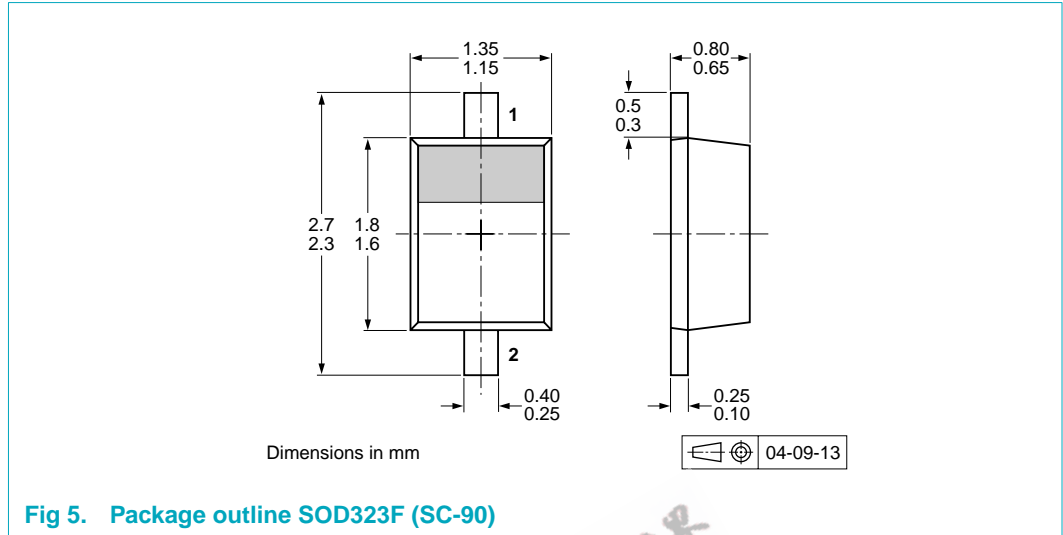


Fig 5. Package outline SOD323F (SC-90)

9. Packing information

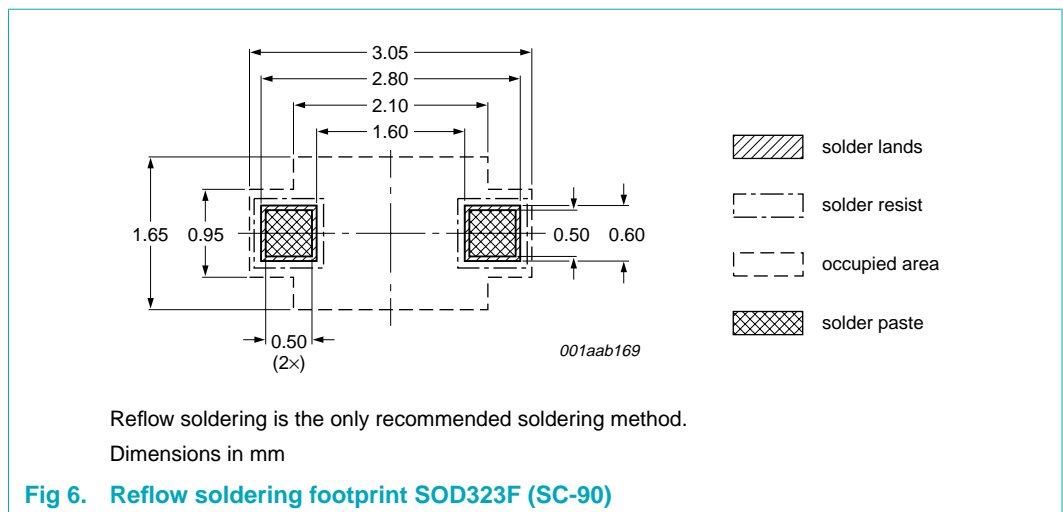
Table 10. Packing methods

The indicated -xxx are the last three digits of the 12NC ordering code.^[1]

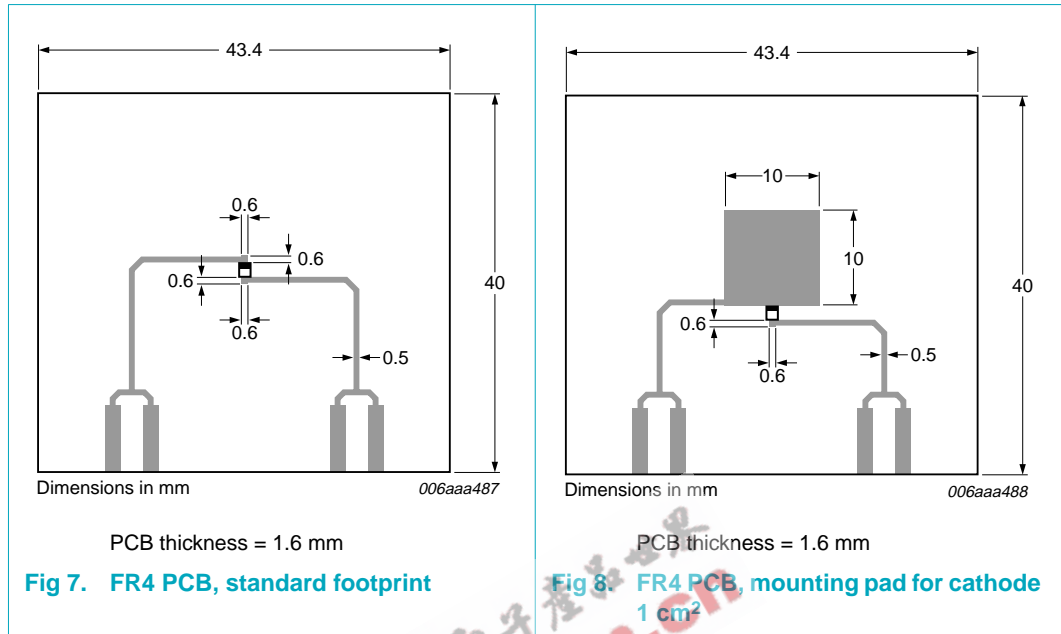
| Type number | Package | Description | Packing quantity | |
|-------------------|---------|--------------------------------|------------------|-------|
| | | | 3000 | 10000 |
| PZU2.4B to PZU36B | SOD323F | 4 mm pitch, 8 mm tape and reel | -115 | -135 |

[1] For further information and the availability of packing methods, see [Section 14](#).

10. Soldering



11. Mounting



EEPW.com.cn 電子產品世界

12. Revision history

Table 11. Revision history

| Document ID | Release date | Data sheet status | Change notice | Supersedes |
|-------------|--------------|--------------------|---------------|------------|
| PZUXB_SER_1 | 20060307 | Product data sheet | - | - |

EEPW 电子產品世界
.com.cn

13. Legal information

13.1 Data sheet status

| Document status ^{[1][2]} | Product status ^[3] | Definition |
|-----------------------------------|-------------------------------|---|
| Objective [short] data sheet | Development | This document contains data from the objective specification for product development. |
| Preliminary [short] data sheet | Qualification | This document contains data from the preliminary specification. |
| Product [short] data sheet | Production | This document contains the product specification. |

[1] Please consult the most recently issued document before initiating or completing a design.

[2] The term 'short data sheet' is explained in section "Definitions".

[3] The product status of device(s) described in this document may have changed since this document was published and may differ in case of multiple devices. The latest product status information is available on the Internet at URL <http://www.semiconductors.philips.com>.

13.2 Definitions

Draft — The document is a draft version only. The content is still under internal review and subject to formal approval, which may result in modifications or additions. Philips Semiconductors does not give any representations or warranties as to the accuracy or completeness of information included herein and shall have no liability for the consequences of use of such information.

Short data sheet — A short data sheet is an extract from a full data sheet with the same product type number(s) and title. A short data sheet is intended for quick reference only and should not be relied upon to contain detailed and full information. For detailed and full information see the relevant full data sheet, which is available on request via the local Philips Semiconductors sales office. In case of any inconsistency or conflict with the short data sheet, the full data sheet shall prevail.

13.3 Disclaimers

General — Information in this document is believed to be accurate and reliable. However, Philips Semiconductors does not give any representations or warranties, expressed or implied, as to the accuracy or completeness of such information and shall have no liability for the consequences of use of such information.

Right to make changes — Philips Semiconductors reserves the right to make changes to information published in this document, including without limitation specifications and product descriptions, at any time and without notice. This document supersedes and replaces all information supplied prior to the publication hereof.

Suitability for use — Philips Semiconductors products are not designed, authorized or warranted to be suitable for use in medical, military, aircraft, space or life support equipment, nor in applications where failure or

malfunction of a Philips Semiconductors product can reasonably be expected to result in personal injury, death or severe property or environmental damage. Philips Semiconductors accepts no liability for inclusion and/or use of Philips Semiconductors products in such equipment or applications and therefore such inclusion and/or use is for the customer's own risk.

Applications — Applications that are described herein for any of these products are for illustrative purposes only. Philips Semiconductors makes no representation or warranty that such applications will be suitable for the specified use without further testing or modification.

Limiting values — Stress above one or more limiting values (as defined in the Absolute Maximum Ratings System of IEC 60134) may cause permanent damage to the device. Limiting values are stress ratings only and operation of the device at these or any other conditions above those given in the Characteristics sections of this document is not implied. Exposure to limiting values for extended periods may affect device reliability.

Terms and conditions of sale — Philips Semiconductors products are sold subject to the general terms and conditions of commercial sale, as published at <http://www.semiconductors.philips.com/profile/terms>, including those pertaining to warranty, intellectual property rights infringement and limitation of liability, unless explicitly otherwise agreed to in writing by Philips Semiconductors. In case of any inconsistency or conflict between information in this document and such terms and conditions, the latter will prevail.

No offer to sell or license — Nothing in this document may be interpreted or construed as an offer to sell products that is open for acceptance or the grant, conveyance or implication of any license under any copyrights, patents or other industrial or intellectual property rights.

13.4 Trademarks

Notice: All referenced brands, product names, service names and trademarks are the property of their respective owners.

14. Contact information

For additional information, please visit: <http://www.semiconductors.philips.com>

For sales office addresses, send an email to: sales.addresses@www.semiconductors.philips.com

15. Contents

1 Product profile 1

1.1 General description 1

1.2 Features 1

1.3 Applications 1

1.4 Quick reference data 1

2 Pinning information 2

3 Ordering information 2

4 Marking 2

5 Limiting values 3

6 Thermal characteristics 3

7 Characteristics 3

8 Package outline 8

9 Packing information 8

10 Soldering 8

11 Mounting 9

12 Revision history 10

13 Legal information 11

13.1 Data sheet status 11

13.2 Definitions 11

13.3 Disclaimers 11

13.4 Trademarks 11

14 Contact information 11

15 Contents 12



Please be aware that important notices concerning this document and the product(s) described herein, have been included in section 'Legal information'.

© Koninklijke Philips Electronics N.V. 2006. All rights reserved.

For more information, please visit: <http://www.semiconductors.philips.com>.
 For sales office addresses, email to: sales.addresses@www.semiconductors.philips.com.

Date of release: 7 March 2006
 Document identifier: PZUXB_SER_1