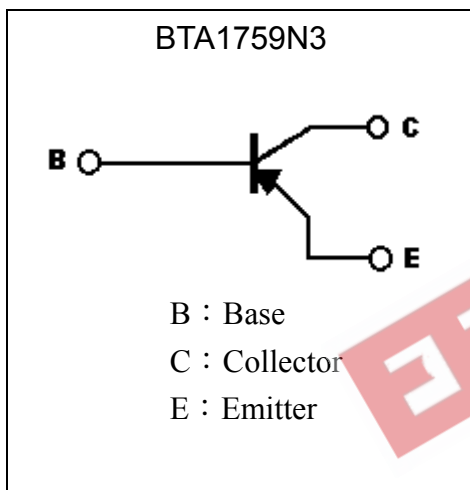


High Voltage PNP Epitaxial Planar Transistor

BTA1759N3

Description

- High breakdown voltage. ($BV_{CEO} = -400V$)
- Low saturation voltage, typical $V_{CE(sat)} = -0.2V$ at $I_C/I_B = -20mA/-2mA$.
- Wide SOA (safe operation area).
- Complementary to BTA4505N3.

Symbol

Outline

Absolute Maximum Ratings ($T_a = 25^\circ C$)

Parameter	Symbol	Limits	Unit
Collector-Base Voltage	V_{CBO}	-400	V
Collector-Emitter Voltage	V_{CEO}	-400	V
Emitter-Base Voltage	V_{EBO}	-7	V
Collector Current	I_C	-300	mA
Power Dissipation	P_d	225	mW
Junction Temperature	T_j	150	$^\circ C$
Storage Temperature	T_{stg}	-55~+150	$^\circ C$

**Characteristics (Ta=25°C)**

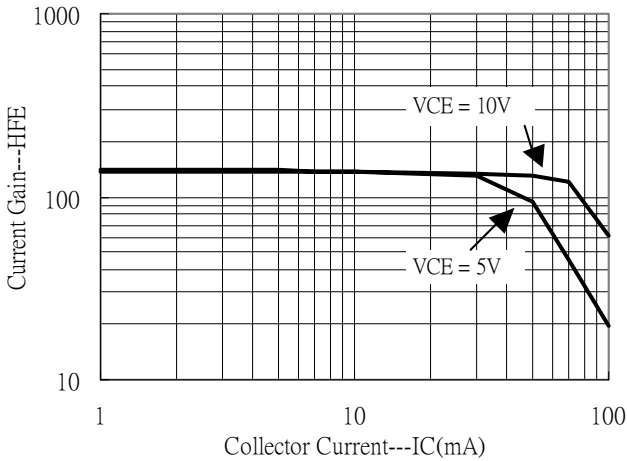
Symbol	Min.	Typ.	Max.	Unit	Test Conditions
BV _{CBO}	-400	-	-	V	I _C =-50μA
BV _{CEO}	-400	-	-	V	I _C =-1mA
BV _{EBO}	-7	-	-	V	I _E =-50μA
I _{CBO}	-	-	-10	μA	V _{CB} =-400V
I _{CER}	-	-	-20	nA	V _{CE} =-300V, R _{EB} =4kΩ
I _{EBO}	-	-	-10	μA	V _{EB} =-6V
*V _{CE(sat)}	-	-0.08	-0.5	V	I _C =-20mA, I _B =-2mA
*V _{BE(sat)}	-	-	-1.2	V	I _C =-20mA, I _B =-2mA
*h _{FE}	100	-	270	-	V _{CE} =-10V, I _C =-10mA
f _T	-	12	-	MHz	V _{CE} =-10V, I _C =-10mA, f=5MHz
C _{ob}	-	13	-	pF	V _{CB} =-10V, I _E =0A, f=1MHz

*Pulse Test: Pulse Width ≤380μs, Duty Cycle ≤2%

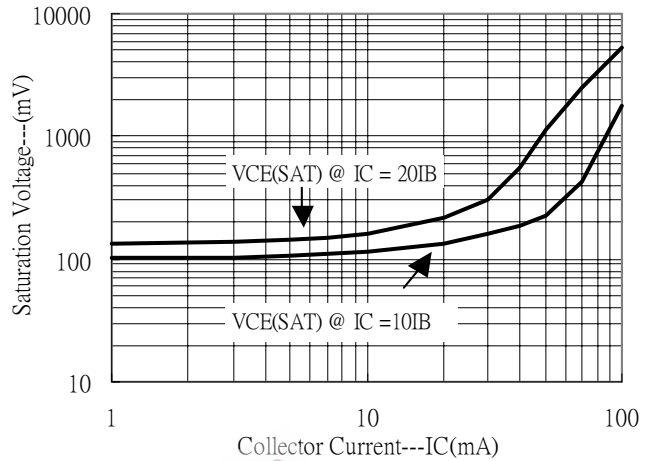
EEPW.com.cn 电子产品世界

Characteristic Curves

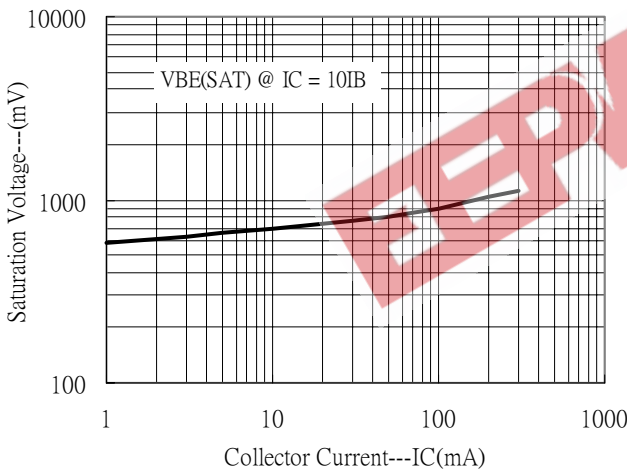
Current Gian vs Collector Current



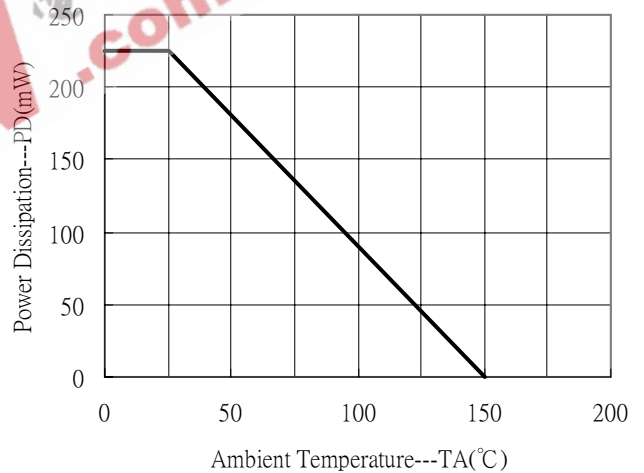
Saturation Voltage vs Collector Current



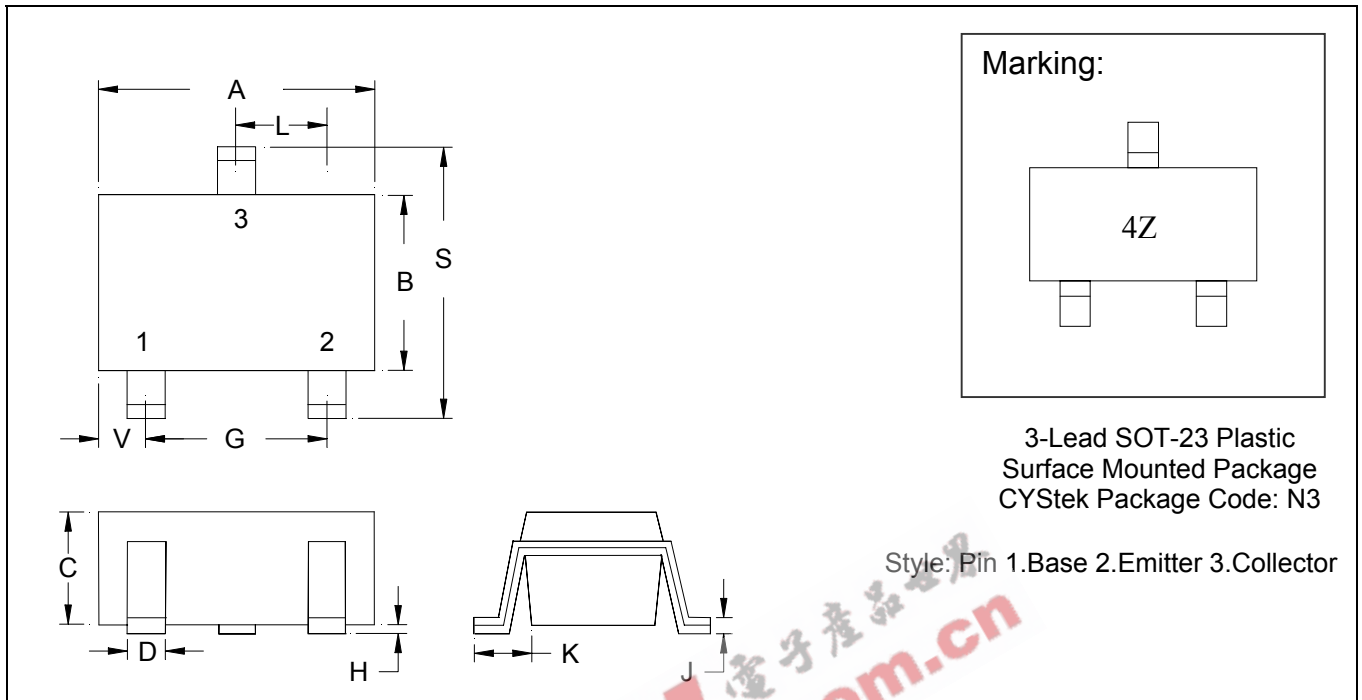
Saturation Voltage vs Collector Current



Power Derating Curve



SOT-23 Dimension



*: Typical

DIM	Inches		Millimeters		DIM	Inches		Millimeters	
	Min.	Max.	Min.	Max.		Min.	Max.	Min.	Max.
A	0.1102	0.1204	2.80	3.04	J	0.0034	0.0070	0.085	0.177
B	0.0472	0.0630	1.20	1.60	K	0.0128	0.0266	0.32	0.67
C	0.0335	0.0512	0.89	1.30	L	0.0335	0.0453	0.85	1.15
D	0.0118	0.0197	0.30	0.50	S	0.0830	0.1083	2.10	2.75
G	0.0669	0.0910	1.70	2.30	V	0.0098	0.0256	0.25	0.65
H	0.0005	0.0040	0.013	0.10					

Notes: 1.Controlling dimension: millimeters.
 2.Maximum lead thickness includes lead finish thickness, and minimum lead thickness is the minimum thickness of base material.
 3.If there is any question with packing specification or packing method, please contact your local CYStek sales office.

Material:

- Lead: 42 Alloy ; solder plating
- Mold Compound: Epoxy resin family, flammability solid burning class: UL94V-0

Important Notice:

- All rights are reserved. Reproduction in whole or in part is prohibited without the prior written approval of CYStek.
- CYStek reserves the right to make changes to its products without notice.
- CYStek **semiconductor products are not warranted to be suitable for use in Life-Support Applications, or systems.**
- CYStek assumes no liability for any consequence of customer product design, infringement of patents, or application assistance.