

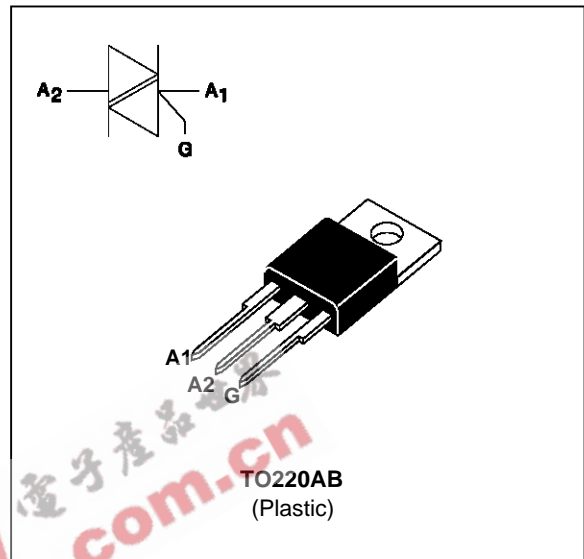
STANDARD TRIACS

FEATURES

- HIGH SURGE CURRENT CAPABILITY
- COMMUTATION : $(dV/dt)_c > 5 \text{ V}/\mu\text{s}$
- BTA Family :
INSULATING VOLTAGE= 2500V_(RMS)
(UL RECOGNIZED : E81734)

DESCRIPTION

The BTA/BTB06 B/C triac family are high performance glass passivated PNP devices. These parts are suitable for general purpose applications where high surge current capability is required. Application such as phase control and static switching on inductive or resistive load.



ABSOLUTE RATINGS (limiting values)

Symbol	Parameter	Value		Unit	
IT(RMS)	RMS on-state current (360° conduction angle)	BTA	Tc = 100 °C	6	A
		BTB	Tc = 105 °C		
ITSM	Non repetitive surge peak on-state current (Tj initial = 25°C)	tp = 8.3 ms		63	A
		tp = 10 ms			
I ² t	I ² t value	tp = 10 ms		18	A ² s
di/dt	Critical rate of rise of on-state current Gate supply : IG = 500mA diG/dt = 1A/μs	Repetitive F = 50 Hz		10	A/μs
		Non Repetitive		50	
Tstg Tj	Storage and operating junction temperature range	- 40 to + 150 - 40 to + 125		°C °C	
TI	Maximum lead temperature for soldering during 10 s at 4.5 mm from case	260		°C	

Symbol	Parameter	BTA / BTB06-... B/C				Unit
		400	600	700	800	
VDRM VRRM	Repetitive peak off-state voltage Tj = 125 °C	400	600	700	800	V

BTA06 B/C / BTB06 B/C

THERMAL RESISTANCES

Symbol	Parameter		Value	Unit
Rth (j-a)	Junction to ambient		60	°C/W
Rth (j-c) DC	Junction to case for DC	BTA	4.4	°C/W
		BTB	3.2	
Rth (j-c) AC	Junction to case for 360° conduction angle (F= 50 Hz)	BTA	3.3	°C/W
		BTB	2.4	

GATE CHARACTERISTICS (maximum values)

$P_G (AV) = 1W$ $P_{GM} = 10W$ (tp = 20 μs) $I_{GM} = 4A$ (tp = 20 μs) $V_{GM} = 16V$ (tp = 20 μs).

ELECTRICAL CHARACTERISTICS

Symbol	Test Conditions	Quadrant		Suffix		Unit	
				B	C		
I _{GT}	V _D =12V (DC) R _L =33 Ω	T _j =25°C	I-II-III	MAX	50	25	mA
			IV	MAX	100	50	
V _{GT}	V _D =12V (DC) R _L =33 Ω	T _j =25°C	I-II-III-IV	MAX	1.5		V
V _{GD}	V _D =V _{DRM} R _L =3.3k Ω	T _j =110°C	I-II-III-IV	MIN	0.2		V
t _{gt}	V _D =V _{DRM} I _G = 500mA dI _G /dt = 3A/ μs	T _j =25°C	I-II-III-IV	TYP	2		μs
I _L	I _G =1.2 I _{GT}	T _j =25°C	I-III-IV	TYP	40	20	mA
			II		70	35	
I _H *	I _T = 500mA gate open	T _j =25°C		MAX	50	25	mA
V _{TM} *	I _{TM} = 8.5A tp= 380 μs	T _j =25°C		MAX	1.65		V
I _{DRM} I _R RM	V _{DRM} Rated V _R RM Rated	T _j =25°C		MAX	0.01		mA
		T _j =110°C		MAX	0.5		
dV/dt *	Linear slope up to V _D =67%V _{DRM} gate open	T _j =110°C		MIN	250	100	V/ μs
(dV/dt) _c *	(dI/dt) _c = 2.7A/ms	T _j =110°C		MIN	10	5	V/ μs

* For either polarity of electrode A2 voltage with reference to electrode A1.

ORDERING INFORMATION

Package	$I_T(\text{RMS})$	$V_{\text{DRM}} / V_{\text{RRM}}$	Sensitivity Specification	
	A	V	B	C
BTA (Insulated)	6	400	X	X
		600	X	X
		700	X	X
		800	X	X
BTB (Uninsulated)	6	400	X	X
		600	X	X
		700	X	X
		800	X	X

Fig.1 : Maximum RMS power dissipation versus RMS on-state current ($F=50\text{Hz}$).
(Curves are cut off by $(di/dt)_c$ limitation)

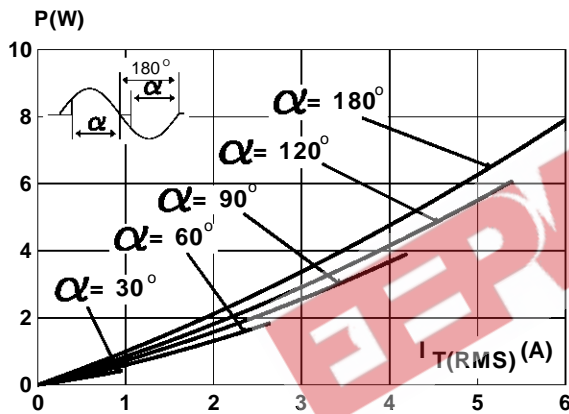


Fig.3 : Correlation between maximum mean power dissipation and maximum allowable temperatures (T_{amb} and T_{case}) for different thermal resistances heatsink + contact (BTB).

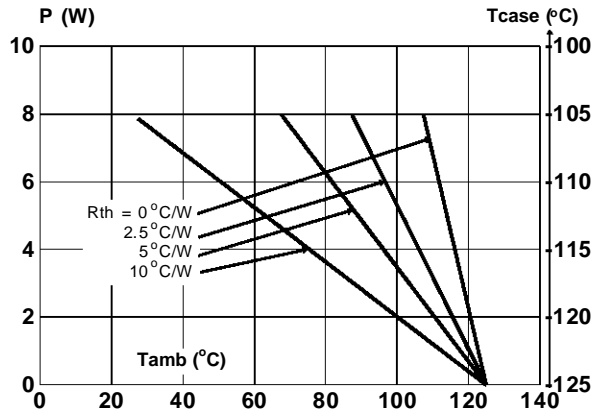


Fig.2 : Correlation between maximum RMS power dissipation and maximum allowable temperatures (T_{amb} and T_{case}) for different thermal resistances heatsink + contact (BTA).

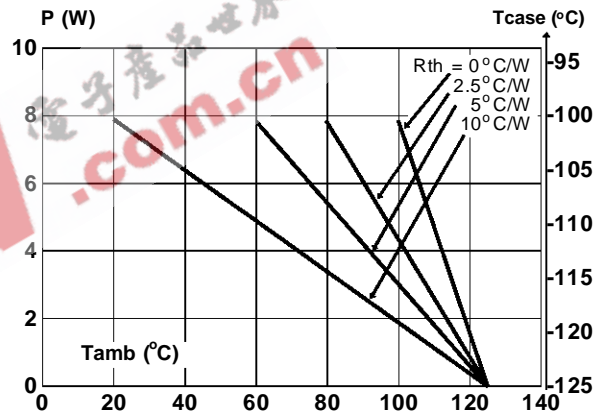
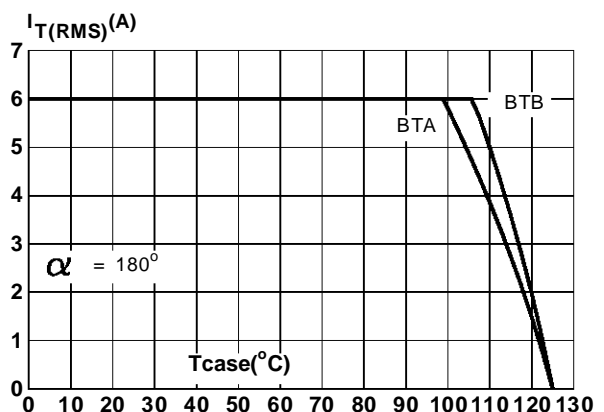


Fig.4 : RMS on-state current versus case temperature.



BTA06 B/C / BTB06 B/C

Fig.5 : Relative variation of thermal impedance versus pulse duration.

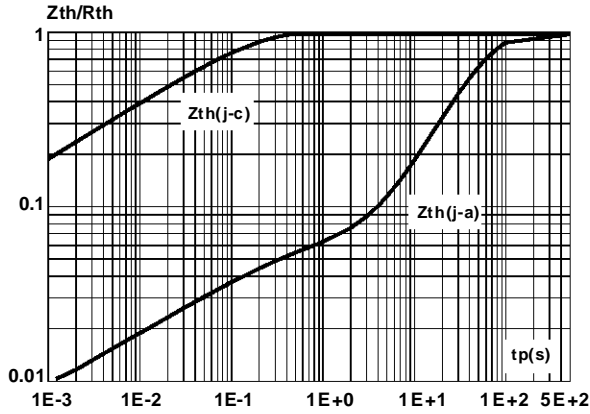


Fig.6 : Relative variation of gate trigger current and holding current versus junction temperature.

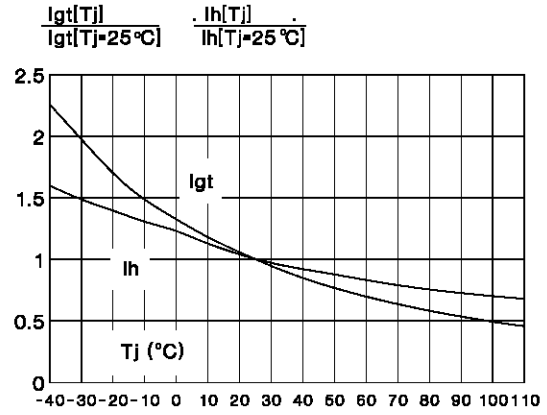


Fig.7 : Non Repetitive surge peak on-state current versus number of cycles.

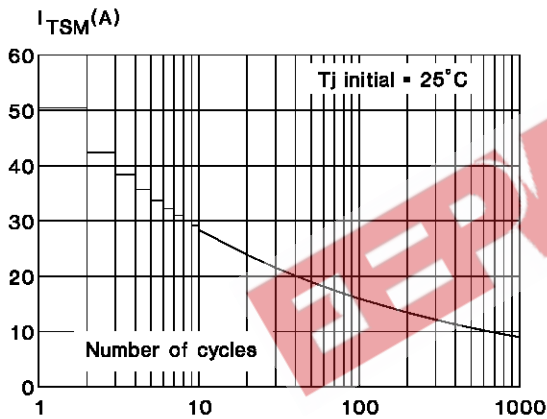


Fig.8 : Non repetitive surge peak on-state current for a sinusoidal pulse with width : $t \leq 10\text{ms}$, and corresponding value of I^2t .

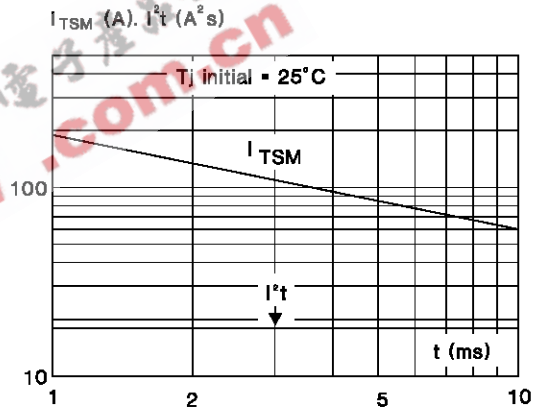
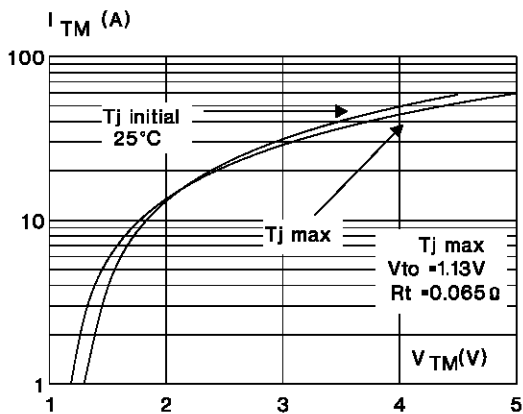
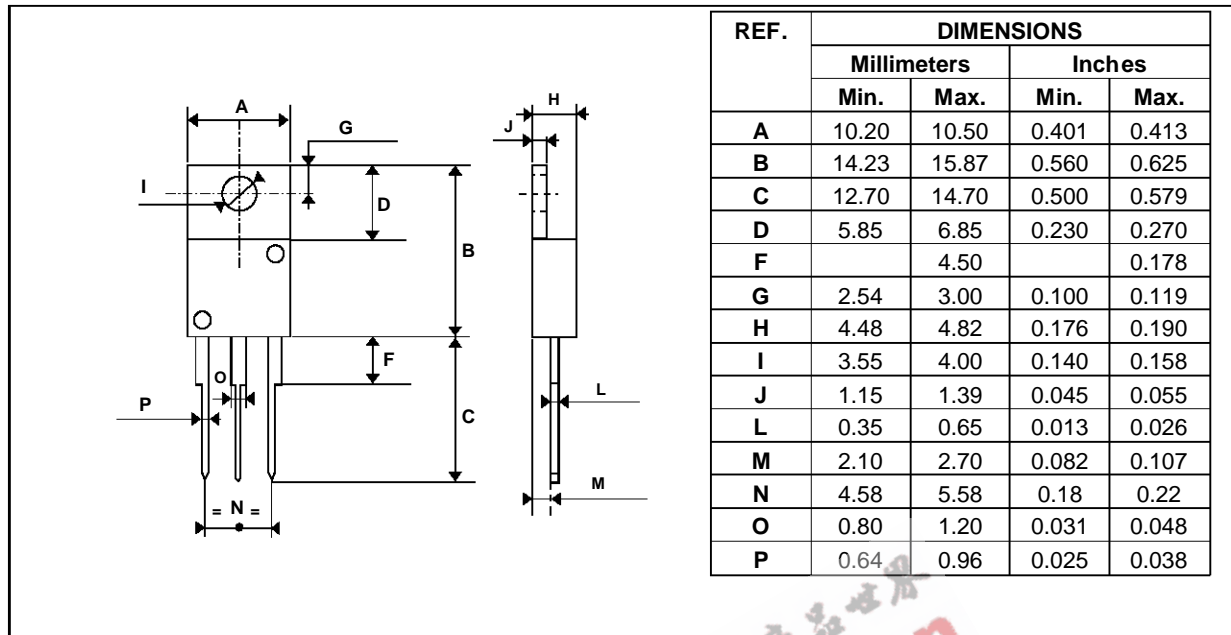


Fig.9 : On-state characteristics (maximum values).



PACKAGE MECHANICAL DATA

TO220AB Plastic



Cooling method : C
 Marking : type number
 Weight : 2.3 g
 Recommended torque value : 0.8 m.N.
 Maximum torque value : 1 m.N.



Information furnished is believed to be accurate and reliable. However, SGS-THOMSON Microelectronics assumes no responsibility for the consequences of use of such information nor for any infringement of patents or other rights of third parties which may result from its use. No license is granted by implication or otherwise under any patent or patent rights of SGS-THOMSON Microelectronics. Specifications mentioned in this publication are subject to change without notice. This publication supersedes and replaces all information previously supplied.

SGS-THOMSON Microelectronics products are not authorized for use as critical components in life support devices or systems without express written approval of SGS-THOMSON Microelectronics.

© 1995 SGS-THOMSON Microelectronics - Printed in Italy - All rights reserved.

SGS-THOMSON Microelectronics GROUP OF COMPANIES

Australia - Brazil - France - Germany - Hong Kong - Italy - Japan - Korea - Malaysia - Malta - Morocco - The Netherlands - Singapore - Spain - Sweden - Switzerland - Taiwan - Thailand - United Kingdom - U.S.A.