

**Three quadrant triacs  
guaranteed commutation**

**BTA208S series D, E and F**

**GENERAL DESCRIPTION**

Passivated guaranteed commutation triacs in a plastic envelope suitable for surface mounting, intended for use in motor control circuits or with other highly inductive loads. These devices balance the requirements of commutation performance and gate sensitivity. The "sensitive gate" E series and "logic level" D series are intended for interfacing with low power drivers, including micro controllers.

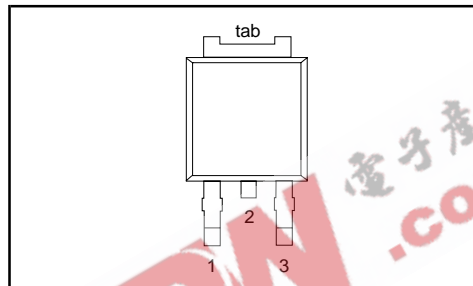
**QUICK REFERENCE DATA**

| SYMBOL       | PARAMETER                            | MAX.   | MAX.                                   | UNIT |
|--------------|--------------------------------------|--|--|------|
| $V_{DRM}$    | Repetitive peak off-state voltages   | <b>600D</b><br><b>600E</b><br><b>600F</b><br>600 | -<br><b>800E</b><br><b>800F</b><br>800 | V    |
| $I_{T(RMS)}$ | RMS on-state current                 | 8  | 8                                      | A    |
| $I_{TSM}$    | Non-repetitive peak on-state current | 65   | 65                                     | A    |

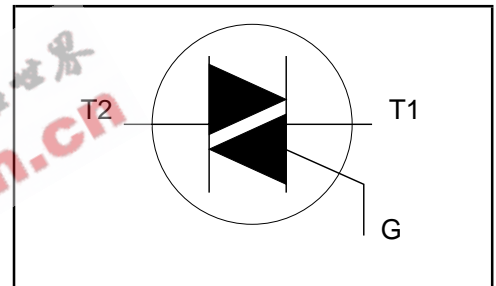
**PINNING - SOT428**

| PIN NUMBER | Standard S |
|------------|------------|
| 1          | MT1        |
| 2          | MT2        |
| 3          | gate       |
| tab        | MT2        |

**PIN CONFIGURATION**



**SYMBOL**



**LIMITING VALUES**

Limiting values in accordance with the Absolute Maximum System (IEC 134).

| SYMBOL       | PARAMETER  | CONDITIONS   | MIN. | MAX.                     |             | UNIT             |
|--------------|--|--|------|--------------------------|-------------|------------------|
|              |  |  |      | -600<br>600 <sup>1</sup> | -800<br>800 |                  |
| $V_{DRM}$    | Repetitive peak off-state voltages                           |  | -    | -600<br>600 <sup>1</sup> | -800<br>800 | V                |
| $I_{T(RMS)}$ | RMS on-state current   | full sine wave;<br>$T_{mb} \leq 102\text{ }^\circ\text{C}$                     | -    | 8                        |             | A                |
| $I_{TSM}$    | Non-repetitive peak on-state current                         | full sine wave;<br>$T_j = 25\text{ }^\circ\text{C}$ prior to surge             | -    | 65                       |             | A                |
| $I^2t$       | $I^2t$ for fusing  | $t = 20\text{ ms}$   | -    | 72                       |             | A                |
| $di_T/dt$    | Repetitive rate of rise of on-state current after triggering | $t = 16.7\text{ ms}$   | -    | 21                       |             | A <sup>2</sup> s |
|              |  | $t = 10\text{ ms}$   | -    | 100                      |             | A/ $\mu\text{s}$ |
| $I_{GM}$     | Peak gate current  | $I_{TM} = 12\text{ A}; I_G = 0.2\text{ A}; di_G/dt = 0.2\text{ A}/\mu\text{s}$ | -    | 2                        |             | A                |
| $V_{GM}$     | Peak gate voltage  |  | -    | 5                        |             | V                |
| $P_{GM}$     | Peak gate power  |  | -    | 5                        |             | W                |
| $P_{G(AV)}$  | Average gate power   | over any 20 ms period  | -    | 0.5                      |             | W                |
| $T_{stg}$    | Storage temperature  |  | -40  | 150                      |             | $^\circ\text{C}$ |
| $T_j$        | Operating junction temperature                               |  | -    | 125                      |             | $^\circ\text{C}$ |

<sup>1</sup> Although not recommended, off-state voltages up to 800V may be applied without damage, but the triac may switch to the on-state. The rate of rise of current should not exceed 6 A/ $\mu\text{s}$ .

## Three quadrant triacs guaranteed commutation

## BTA208S series D, E and F

### THERMAL RESISTANCES

| SYMBOL         | PARAMETER                                       | CONDITIONS  | MIN. | TYP. | MAX. | UNIT |
|----------------|---|---|------|------|------|------|
| $R_{th\ j-mb}$ | Thermal resistance<br>junction to mounting base | full cycle  | -    | -    | 2.0  | K/W  |
| $R_{th\ j-a}$  | Thermal resistance<br>junction to ambient       | half cycle<br>pcb (FR4) mounted; footprint as in Fig.14 | -    | -    | 2.4  | K/W  |
|                |   |   | -    | 75   | -    | K/W  |

### STATIC CHARACTERISTICS

$T_j = 25\text{ °C}$  unless otherwise stated

| SYMBOL   | PARAMETER                         | CONDITIONS   | MIN. | TYP. | MAX.        |             |             | UNIT |
|----------|-----------------------------------|--|------|------|-------------|-------------|-------------|------|
|          |                                   | <b>BTA208S-</b>  |      |      | <b>...D</b> | <b>...E</b> | <b>...F</b> |      |
| $I_{GT}$ | Gate trigger current <sup>2</sup> | $V_D = 12\text{ V}; I_T = 0.1\text{ A}$<br>T2+ G+<br>T2+ G-<br>T2- G-    | -    | -    | 5           | 10          | 25          | mA   |
|          |                                   |  | -    | -    | 5           | 10          | 25          | mA   |
|          |                                   |  | -    | -    | 5           | 10          | 25          | mA   |
| $I_L$    | Latching current                  | $V_D = 12\text{ V}; I_{GT} = 0.1\text{ A}$<br>T2+ G+<br>T2+ G-<br>T2- G- | -    | -    | 15          | 20          | 25          | mA   |
|          |                                   |  | -    | -    | 25          | 30          | 40          | mA   |
|          |                                   |  | -    | -    | 25          | 30          | 40          | mA   |
| $I_H$    | Holding current                   | $V_D = 12\text{ V}; I_{GT} = 0.1\text{ A}$                               | -    | -    | 15          | 25          | 30          | mA   |
| $V_T$    | On-state voltage                  | $I_T = 10\text{ A}$  | -    | 1.3  | 1.65        |             |             | V    |
| $V_{GT}$ | Gate trigger voltage              | $V_D = 12\text{ V}; I_T = 0.1\text{ A}$                                  | -    | 0.7  | 1.5         |             |             | V    |
|          |                                   | $V_D = 400\text{ V}; I_T = 0.1\text{ A};$<br>$T_j = 125\text{ °C}$       | 0.25 | 0.4  | -           |             |             | V    |
| $I_D$    | Off-state leakage current         | $V_D = V_{DRM(max)};$<br>$T_j = 125\text{ °C}$                           | -    | 0.1  | 0.5         |             |             | mA   |

### DYNAMIC CHARACTERISTICS

$T_j = 25\text{ °C}$  unless otherwise stated

| SYMBOL        | PARAMETER   | CONDITIONS  | MIN.        |             |             | TYP. | MAX. | UNIT       |
|---------------|---|---|-------------|-------------|-------------|------|------|------------|
|               |   | <b>BTA208S-</b>   | <b>...D</b> | <b>...E</b> | <b>...F</b> |      |      |            |
| $dV_D/dt$     | Critical rate of rise of<br>off-state voltage     | $V_{DM} = 67\% V_{DRM(max)};$<br>$T_j = 110\text{ °C};$ exponential<br>waveform; gate open<br>circuit   | 30          | 60          | 70          |      | -    | V/ $\mu$ s |
| $dI_{com}/dt$ | Critical rate of change of<br>commutating current | $V_{DM} = 400\text{ V}; T_j = 110\text{ °C};$<br>$I_{T(RMS)} = 8\text{ A};$<br>$dV_{com}/dt = 20\text{ v}/\mu\text{s};$ gate<br>open circuit  | 1.8         | 3.5         | 4.5         |      | -    | A/ms       |
| $dI_{com}/dt$ | Critical rate of change of<br>commutating current | $V_{DM} = 400\text{ V}; T_j = 110\text{ °C};$<br>$I_{T(RMS)} = 8\text{ A};$<br>$dV_{com}/dt = 0.1\text{ v}/\mu\text{s};$ gate<br>open circuit | 3.5         | 4.5         | 5.5         |      | -    | A/ms       |
| $t_{gt}$      | Gate controlled turn-on<br>time                   | $I_{TM} = 12\text{ A}; V_D = V_{DRM(max)};$<br>$I_G = 0.1\text{ A}; dI_G/dt = 5\text{ A}/\mu\text{s}$   | -           | -           | -           | 2    | -    | $\mu$ s    |

<sup>2</sup> Device does not trigger in the T2-, G+ quadrant.

Three quadrant triacs  
guaranteed commutation

BTA208S series D, E and F

**MECHANICAL DATA**

Dimensions in mm

Net Mass: 1.1 g

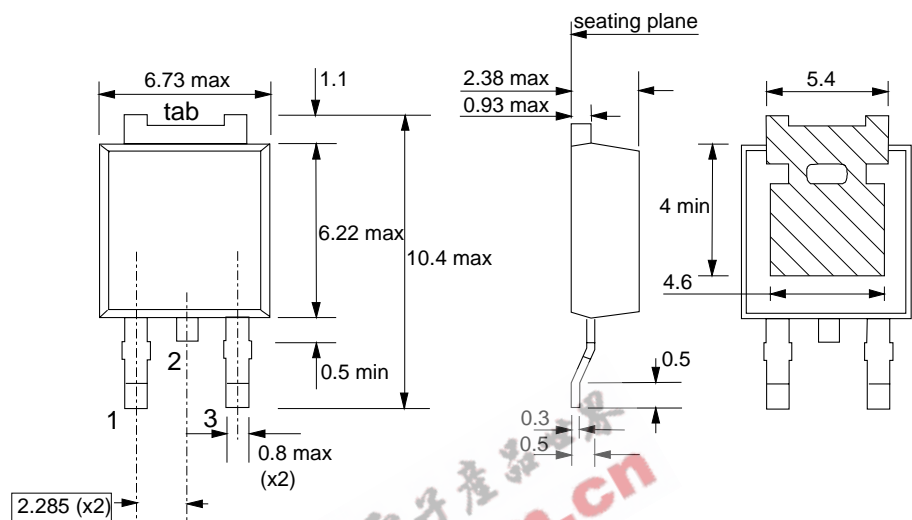


Fig.1. SOT428 : centre pin connected to tab.

**MOUNTING INSTRUCTIONS**

Dimensions in mm

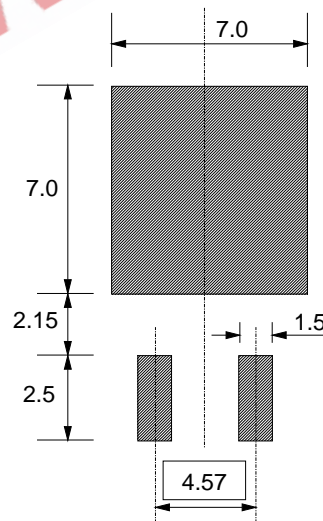


Fig.2. SOT428 : minimum pad sizes for surface mounting.

**Notes**

- 1. Plastic meets UL94 V0 at 1/8".

## Three quadrant triacs guaranteed commutation

## BTA208S series D, E and F

### DEFINITIONS

|  |   |
|--|---|
| <b>Data sheet status</b>   |   |
| Objective specification  | This data sheet contains target or goal specifications for product development.       |
| Preliminary specification  | This data sheet contains preliminary data; supplementary data may be published later. |
| Product specification  | This data sheet contains final product specifications.                                |
| <b>Limiting values</b>   |   |
| Limiting values are given in accordance with the Absolute Maximum Rating System (IEC 134). Stress above one or more of the limiting values may cause permanent damage to the device. These are stress ratings only and operation of the device at these or at any other conditions above those given in the Characteristics sections of this specification is not implied. Exposure to limiting values for extended periods may affect device reliability. |   |
| <b>Application information</b>   |   |
| Where application information is given, it is advisory and does not form part of the specification.  |   |
| © Philips Electronics N.V. 1999  |   |
| All rights are reserved. Reproduction in whole or in part is prohibited without the prior written consent of the copyright owner.  |   |
| The information presented in this document does not form part of any quotation or contract, it is believed to be accurate and reliable and may be changed without notice. No liability will be accepted by the publisher for any consequence of its use. Publication thereof does not convey nor imply any license under patent or other industrial or intellectual property rights.   |   |

### LIFE SUPPORT APPLICATIONS

These products are not designed for use in life support appliances, devices or systems where malfunction of these products can be reasonably expected to result in personal injury. Philips customers using or selling these products for use in such applications do so at their own risk and agree to fully indemnify Philips for any damages resulting from such improper use or sale.