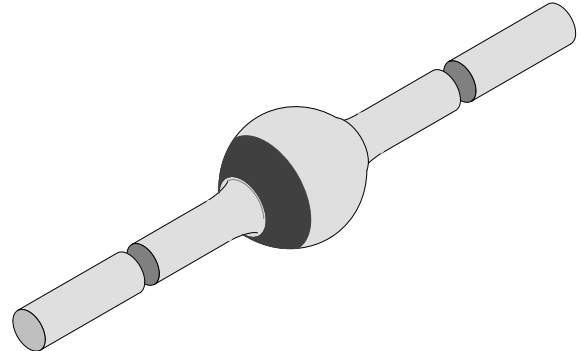


# Silicon Z-Diodes and Transient Voltage Suppressors

## Features

- Glass passivated junction
- Hermetically sealed package
- Clamping sealed package



94 9588

## Applications

Voltage regulators and transient suppression circuits

## Absolute Maximum Ratings

$T_j = 25^\circ\text{C}$

Parameter	Test Conditions	Type	Symbol	Value	Unit
Power dissipation	$l=10\text{mm}, T_L=25^\circ\text{C}$		$P_V$	6.0	W
	$T_{\text{amb}}=45^\circ\text{C}$		$P_V$	1.85	W
Repetitive peak reverse power dissipation			$P_{ZRM}$	20	W
Non repetitive peak surge power dissipation	$t_p=100\mu\text{s}, T_j=25^\circ\text{C}$		$P_{ZSM}$	1000	W
Junction temperature			$T_j$	175	$^\circ\text{C}$
Storage temperature range			$T_{\text{stg}}$	-65...+175	$^\circ\text{C}$

## Maximum Thermal Resistance

$T_j = 25^\circ\text{C}$

Parameter	Test Conditions	Symbol	Value	Unit
Junction ambient	$l=25\text{mm}, T_L=\text{constant}$	$R_{\text{thJA}}$	30	K/W
	on PC board with spacing 37.5mm	$R_{\text{thJA}}$	70	K/W

## Electrical Characteristics

$T_j = 25^\circ\text{C}$

Parameter	Test Conditions	Type	Symbol	Min	Typ	Max	Unit
Forward voltage	$I_F=1\text{A}$		$V_F$			1.2	V

# BZW03D...

Vishay Telefunken



Type	$V_Z \pm 10\%$	$r_{zi}$ and		$TK_{VZ}$ at		$I_Z$	$I_R$ at	$V_R$
BZW03D...	V	$\Omega$		%/K		mA	$\mu A$	V
	Typ.	Typ.	Max.	Min.	Max.		Max.	
7V5	7.5	0.7	1.5	0	0.07	175	1500	5.3
8V2	8.2	0.8	1.5	0.03	0.08	150	1200	5.8
9V1	9.1	0.9	2.0	0.03	0.08	150	40	6.5
10	10.0	1.0	2.0	0.05	0.09	125	20	7.1
11	11.0	1.1	2.5	0.05	0.10	125	15	7.9
12	12.0	1.1	2.5	0.05	0.10	100	10	8.6
13	13.0	1.2	2.5	0.05	0.10	100	4	9.3
15	15.0	1.2	2.5	0.05	0.10	75	2	10.6
16	16.0	1.3	2.5	0.06	0.11	75	2	11.6
18	18.0	1.3	2.5	0.06	0.11	65	2	12.6
20	20.0	1.5	3.0	0.06	0.11	65	2	14.4
22	22.0	1.6	3.5	0.06	0.11	50	2	15.8
24	24.0	1.8	3.5	0.06	0.11	50	2	17.2
27	27.0	2.5	5.0	0.06	0.11	50	2	19.4
30	30	4	8	0.06	0.11	40	2	21.5
33	33	5	10	0.06	0.11	40	2	23.5
36	36	6	11	0.06	0.11	30	2	25.8
39	39	7	14	0.06	0.11	30	2	28
43	43	10	20	0.07	0.12	30	2	31
47	47	12	25	0.07	0.12	25	2	33.5
51	51	14	27	0.07	0.12	25	2	36.5
56	56	18	35	0.07	0.12	20	2	40
62	62	20	42	0.08	0.13	20	2	44.5
68	68	22	44	0.08	0.13	20	2	49
75	75	25	45	0.08	0.13	20	2	54
82	82	30	65	0.08	0.13	15	2	59
91	91	40	75	0.09	0.13	15	2	65
100	100	45	90	0.09	0.13	12	2	71
110	110	65	125	0.09	0.13	12	2	79
120	120	90	170	0.09	0.13	10	2	86
130	130	100	190	0.09	0.13	10	2	93
150	150	150	330	0.09	0.13	8	2	106
160	160	180	350	0.09	0.13	8	2	116
180	180	210	430	0.09	0.13	5	2	126
200	200	250	500	0.09	0.13	5	2	144
220	220	350	700	0.09	0.13	5	2	158
240	240	450	900	0.09	0.13	5	2	172
270	270	600	1200	0.09	0.13	5	2	194



Type	$I_R^{(1)}$ at $V_R$		$V_{(BR)}^{(2)}$	$I_{(BR)S}$
	$\mu A$	V	V	A
BZW03D...				
7V5	3000	5.8	11.7	44.2
8V2	2400	6.5	12.6	40.6
9V1	100	7.1	13.6	37.6
10	40	7.9	15.2	34.0
11	30	8.6	16.2	31.8
12	20	9.3	17.5	29.4
13	10	10.6	19.1	26.4
15	10	11.6	21.8	23.9
16	10	12.6	23.4	21.8
18	10	14.4	26.3	19.5
20	10	15.8	29.2	17.6
22	10	17.2	32	16.1
24	10	19.4	34.6	14.8
27	10	21.5	39	13.1
30	10	23.5	43.2	11.8
33	10	25.8	47	10.8
36	10	28	51,7	10.0
39	10	31	56	9.2
43	10	33.5	62	8.2
47	10	36.5	66.7	7.6
51	10	40	73	7.0
56	10	44.5	80.2	6.3
62	10	49	88.7	5.8
68	10	54	97.2	5.3
75	10	59	107	4.8
82	10	65	117	4.3
91	10	71	130	3.9
100	10	79	143	3.6
110	10	86	157	3.3
120	10	93	172	3.0
130	10	106	187	2.7
150	10	116	213	2.4
160	10	126	229	2.2
180	10	144	256	2.0
200	10	158	284	1.8
220	10	172	314	1.6
240	10	194	344	1.5
270	10	215	388	1.3

<sup>2)</sup> Exp. falling pulse,  $t_p = 500 \mu s$  down to 37%

**Characteristics** ( $T_j = 25^\circ\text{C}$  unless otherwise specified)

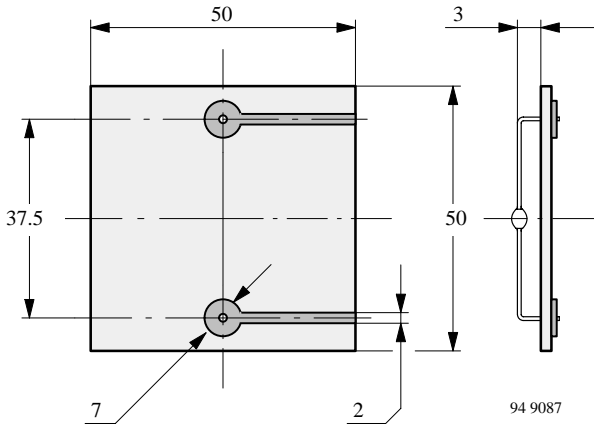


Figure 1. Epoxy glass hard tissue, board thickness 1.5 mm,  $R_{thJA} \cong 70 \text{ K/W}$

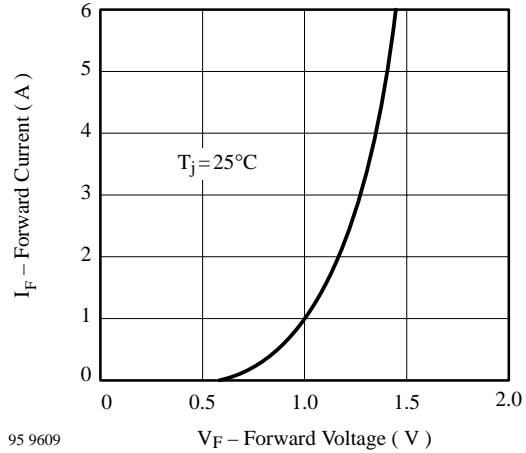


Figure 3. Forward Current vs. Forward Voltage

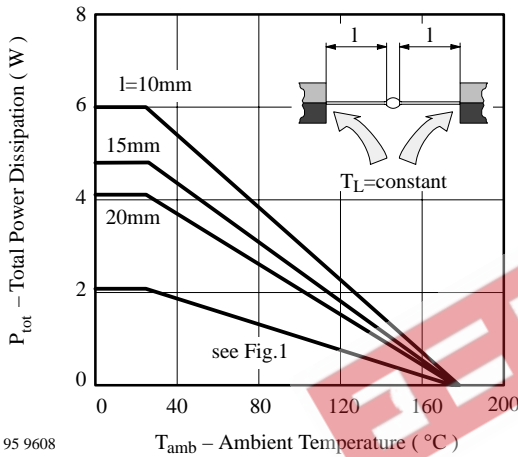


Figure 2. Total Power Dissipation vs. Ambient Temperature

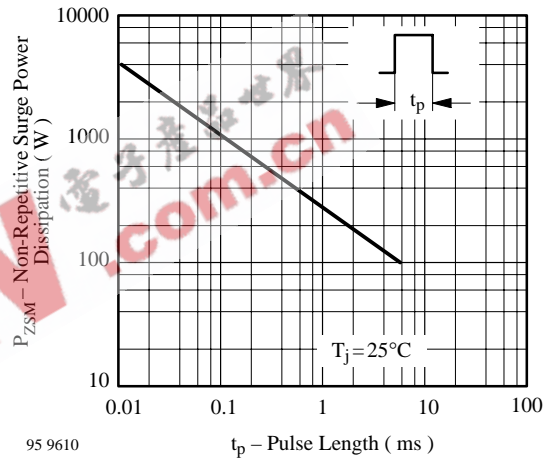
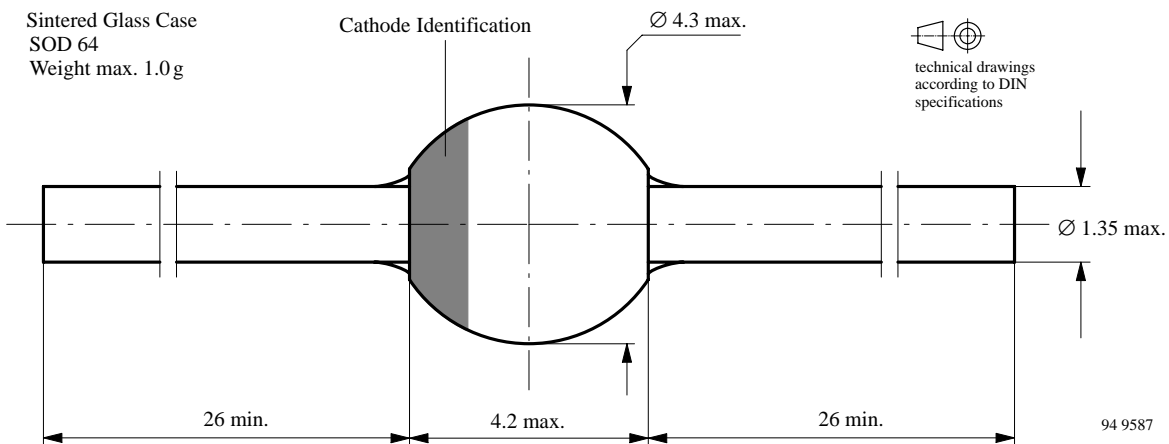


Figure 4. Non Repetitive Surge Power Dissipation vs. Pulse Length

**Dimensions in mm**



Sintered Glass Case  
SOD 64  
Weight max. 1.0g

Cathode Identification

Ø 4.3 max.

technical drawings according to DIN specifications

Ø 1.35 max.

26 min.

4.2 max.

26 min.

94 9587



## **Ozone Depleting Substances Policy Statement**

It is the policy of **Vishay Semiconductor GmbH** to

1. Meet all present and future national and international statutory requirements.
2. Regularly and continuously improve the performance of our products, processes, distribution and operating systems with respect to their impact on the health and safety of our employees and the public, as well as their impact on the environment.

It is particular concern to control or eliminate releases of those substances into the atmosphere which are known as ozone depleting substances (ODSs).

The Montreal Protocol (1987) and its London Amendments (1990) intend to severely restrict the use of ODSs and forbid their use within the next ten years. Various national and international initiatives are pressing for an earlier ban on these substances.

**Vishay Semiconductor GmbH** has been able to use its policy of continuous improvements to eliminate the use of ODSs listed in the following documents.

1. Annex A, B and list of transitional substances of the Montreal Protocol and the London Amendments respectively
2. Class I and II ozone depleting substances in the Clean Air Act Amendments of 1990 by the Environmental Protection Agency (EPA) in the USA
3. Council Decision 88/540/EEC and 91/690/EEC Annex A, B and C (transitional substances) respectively.

**Vishay Semiconductor GmbH** can certify that our semiconductors are not manufactured with ozone depleting substances and do not contain such substances.

**We reserve the right to make changes to improve technical design and may do so without further notice.**

Parameters can vary in different applications. All operating parameters must be validated for each customer application by the customer. Should the buyer use Vishay-Telefunken products for any unintended or unauthorized application, the buyer shall indemnify Vishay-Telefunken against all claims, costs, damages, and expenses, arising out of, directly or indirectly, any claim of personal damage, injury or death associated with such unintended or unauthorized use.

Vishay Semiconductor GmbH, P.O.B. 3535, D-74025 Heilbronn, Germany  
Telephone: 49 (0)7131 67 2831, Fax number: 49 (0)7131 67 2423