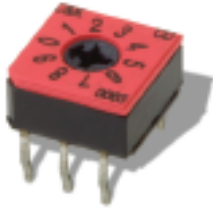


# C&K CD Series 8mm DIP Coded Rotary Switches

DIP



## Features/Benefits

- **Process sealed – withstands soldering and cleaning**
- **Thru-hole and surface mount models**
- **Compact size saves space – 36% smaller than traditional 10mm DIP**
- **Crisp, positive detent ensures actuation**
- **RoHS compliant - option available**

## Typical Applications

- **Address switching applications**
- **Data storage devices**
- **Computer and peripherals**
- **Instrumentation**

## Specifications

CONTACT RATING: 0.4 VA max. @ 20 V AC or V DC max.

MECHANICAL AND ELECTRICAL LIFE:

CD10 & CD16: 20,000 actuations.

CD08: 12,000 actuations.

CONTACT RESISTANCE: 50 milliohms max. initial.

INSULATION RESISTANCE: 100 megohms min.

@ 250 V AC min.

DIELECTRIC STRENGTH: 250 V RMS min. @ sea level.

OPERATING TEMPERATURE: -25°C to 85°C.

STORAGE TEMPERATURE: -40°C to 85°C.

SOLDERABILITY: Per MIL-STD-202F method 208D or EIA RS-186E, method 9 (1 hour steam aging).

PACKAGING: Switches supplied in rigid tubes in full-tube quantities only; this may affect order quantity. Surface mount switches available in tape & reel packaging per EIA 481A, 800 per reel, "MO" actuator only.

## Materials

COVER & BASE: Glass filled nylon, flame retardant (UL 94V-0).  
RoHS, Version, PPS (UL94V-0).

ACTUATOR: LCP (UL 94V-0), internal o-ring seal standard with all actuators.

KNOB: Glass filled nylon, flame retardant (UL 94V-0).

MOVABLE CONTACTS: Copper alloy with gold plate over nickel plate.

STATIONARY CONTACTS: Copper alloy with gold plate over nickel plate.

TERMINALS: Copper alloy with tin-lead alloy over nickel plate.

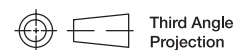
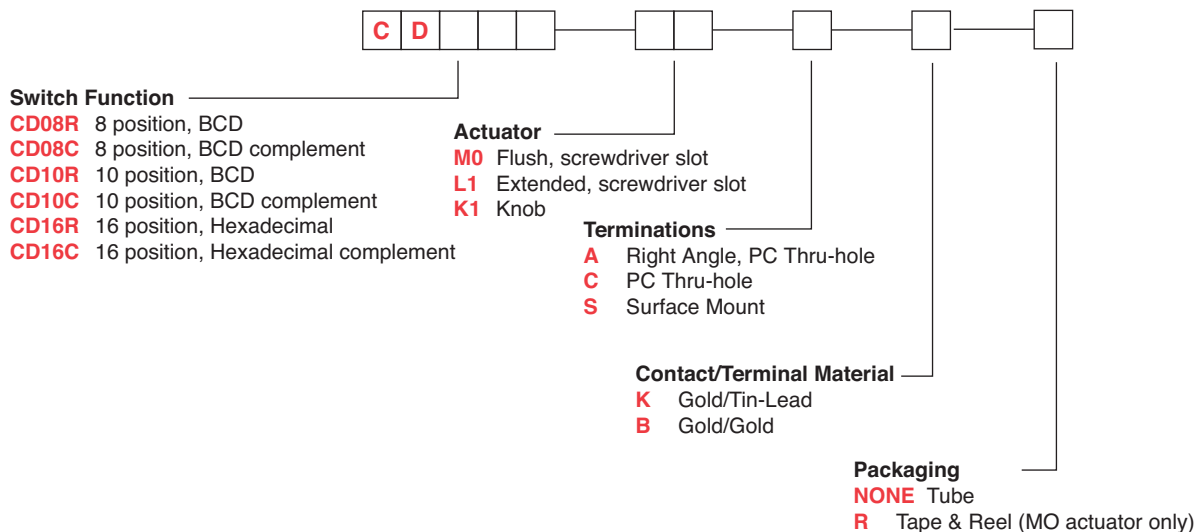
RoHS, Version copper alloy with gold plate over nickel plate.

NOTE: For the latest information regarding RoHS compliance, please go to: [www.ittcannon.com/rohs](http://www.ittcannon.com/rohs).

Note: Specifications and materials listed above are for switches with standard options. For information on specific and custom switches, consult Customer Service Center.

## How To Order

Our easy Build-A Switch concept allows you to mix and match options to create the switch you need. Below is a complete listing of options shown in catalog. To order, simply select desired option from each category and place in the appropriate box.



Dimensions are shown: Inch (mm)  
Specifications and dimensions subject to change

# C&K CD Series 8mm DIP Coded Rotary Switches

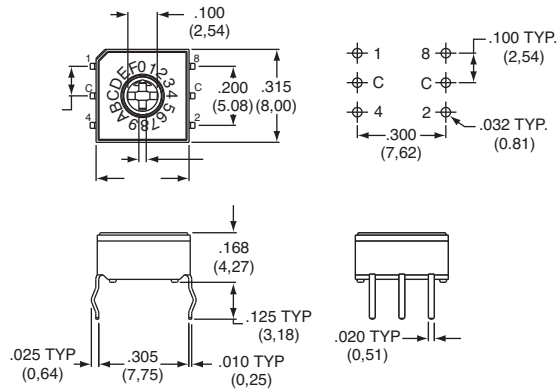
## SWITCHES WITH STANDARD OPTIONS



DIP

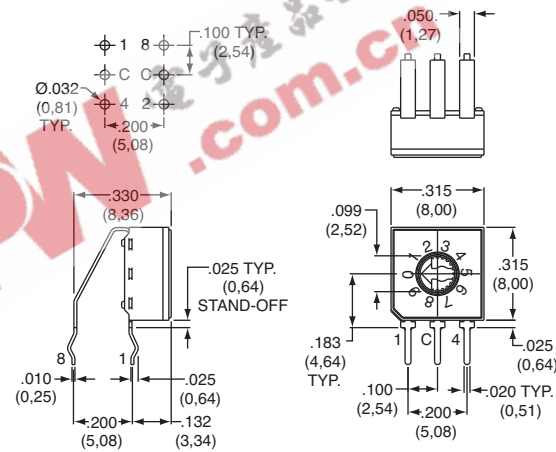
### PC Mount

PART NUMBER	NO. POS.	QUANTITY PER TUBE
<b>CD08RM0CK</b>	8	60
<b>CD10RM0CK</b>	10	60
<b>CD16RM0CK</b>	16	60



### Right Angle Mount

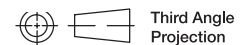
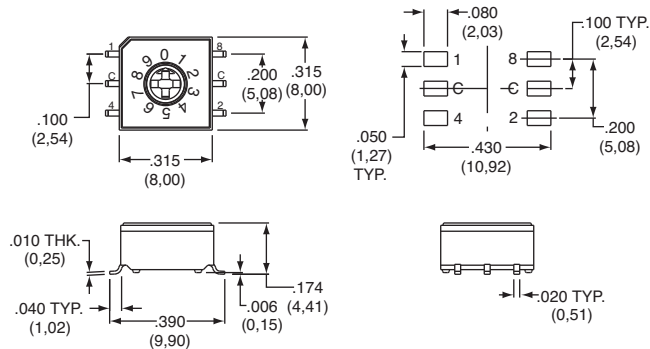
PART NUMBER	NO. POS.	QUANTITY PER TUBE
<b>CD08RM0AK</b>	8	60
<b>CD10RM0AK</b>	10	60
<b>CD16RM0AK</b>	16	60



### Surface Mount

PART NUMBER	NO. POS.	QUANTITY PER TUBE
<b>CD08RM0SK</b>	8	60
<b>CD10RM0SK</b>	10	60
<b>CD16RM0SK</b>	16	60

Note: For tape and reel packaging, add 'R' to end of part number.



Dimensions are shown: Inch (mm)  
Specifications and dimensions subject to change



# C&K CD Series 8mm DIP Coded Rotary Switches

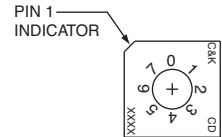
## SWITCH FUNCTION

**CD08R** 8 POSITION, BCD  
ACTUATOR COLOR: WHITE

**CD08C** 8 POSITION, BCD COMPLEMENT  
ACTUATOR COLOR: BLACK

POS.	0	1	2	3	4	5	6	7
C	●	●	●	●	●	●	●	●
1		●		●		●		●
2			●	●		●	●	
4				●	●	●	●	
8					●	●	●	●

POS.	0	1	2	3	4	5	6	7
C	●	●	●	●	●	●	●	●
1	●		●		●		●	
2	●	●			●	●		
4	●	●	●			●	●	
8	●	●	●	●				

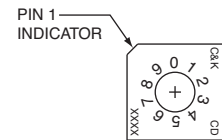


**CD10R** 10 POSITION, BCD  
ACTUATOR COLOR: RED

**CD10C** 10 POSITION, BCD COMPLEMENT  
ACTUATOR COLOR: BLACK

POS.	0	1	2	3	4	5	6	7	8	9
C	●	●	●	●	●	●	●	●	●	●
1		●		●		●		●		●
2			●	●		●	●			
4				●	●	●	●			
8								●	●	

POS.	0	1	2	3	4	5	6	7	8	9
C	●	●	●	●	●	●	●	●	●	●
1	●		●		●		●		●	
2	●	●			●	●				
4	●	●	●			●	●			
8	●	●	●	●				●	●	

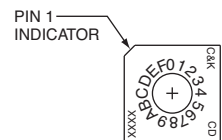


**CD16R** 16 POSITION, HEXADECIMAL  
ACTUATOR COLOR: ORANGE

**CD16C** 16 POSITION, HEXADECIMAL COMPLEMENT  
ACTUATOR COLOR: WHITE

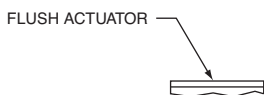
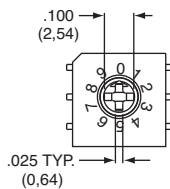
POS.	0	1	2	3	4	5	6	7	8	9	A	B	C	D	E	F
C	●	●	●	●	●	●	●	●	●	●	●	●	●	●	●	●
1		●		●		●		●		●		●		●		●
2			●	●		●	●			●	●			●	●	
4				●	●	●	●			●	●	●			●	●
8								●	●	●	●	●	●	●	●	●

POS.	0	1	2	3	4	5	6	7	8	9	A	B	C	D	E	F
C	●	●	●	●	●	●	●	●	●	●	●	●	●	●	●	●
1	●		●		●		●		●		●		●		●	
2	●	●			●	●					●	●				
4	●	●	●			●	●				●	●	●			
8	●	●	●	●				●	●	●	●	●	●	●	●	●



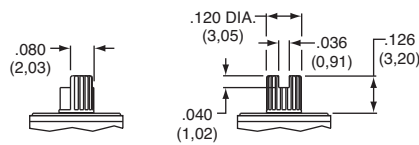
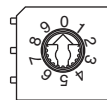
## ACTUATOR

**M0** (STD.) FLUSH WITH SCREWDRIVER SLOT

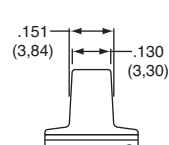
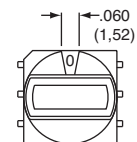


NOTE: Designed for #0 Phillips screwdriver.

**L1** EXTENDED WITH SCREWDRIVER SLOT



**K1** KNOB



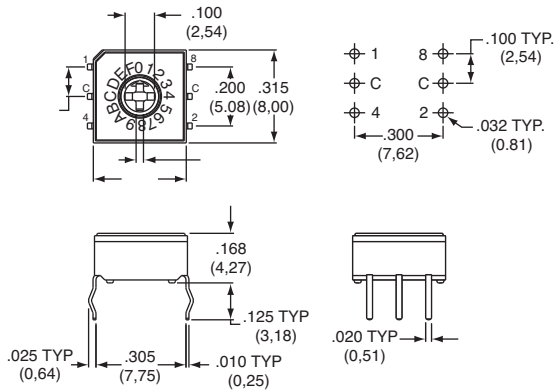
Dimensions are shown: Inch (mm)  
Specifications and dimensions subject to change



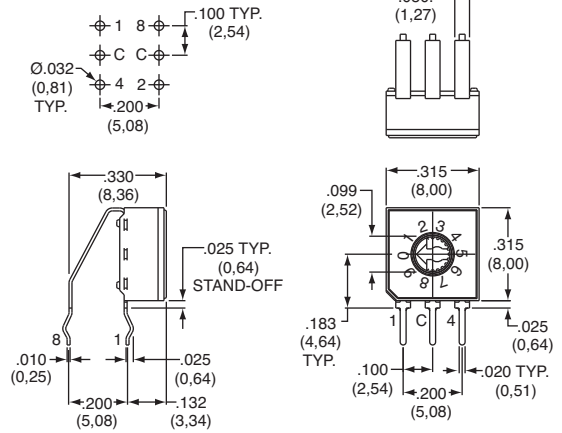
# C&K CD Series 8mm DIP Coded Rotary Switches

## TERMINATIONS

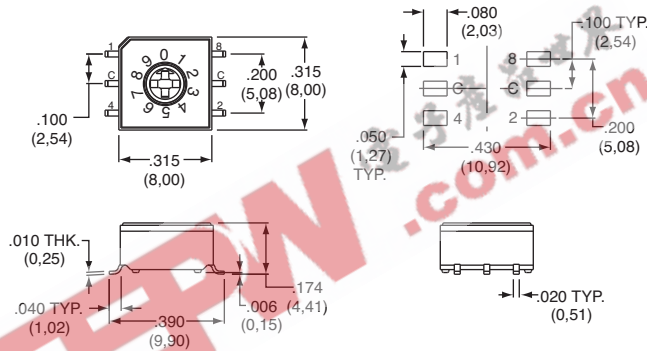
### C PC THRU-HOLE



### A RIGHT ANGLE, PC THRU-HOLE



### S SURFACE MOUNT



## CONTACT MATERIAL

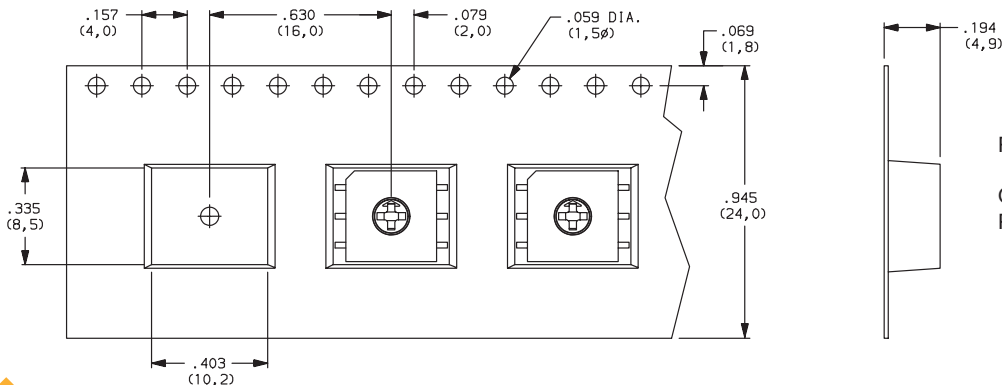
OPTION CODE	RoHS COMPLIANT*	RoHS COMPATIBLE*	CONTACT MATERIAL	TERMINAL PLATING	RATING	
<b>K</b>	NO	YES	GOLD	TIN-LEAD	LOW LEVEL/DRY CIRCUIT	0.4 VC MAX. @ 20 V AC or DC MAX.
<b>B</b>	YES	YES	GOLD	GOLD	LOW LEVEL/DRY CIRCUIT	0.4 VC MAX. @ 20 V AC or DC MAX.

\* Note: See Technical Data section of this catalog for RoHS compliant and compatible definitions and specifications.

## TAPE & REEL

For part number CDxxMOSK

FEED DIRECTION



Reel Information

Outside diameter 13.00 (333,0)  
Pilot hole .512 (13,0)



Third Angle Projection

Dimensions are shown: Inch (mm)  
Specifications and dimensions subject to change

