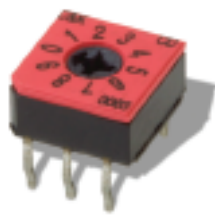


C&K CD Series 8mm DIP Coded Rotary Switches

DIP



Features/Benefits

- **Process sealed – withstands soldering and cleaning**
- **Thru-hole and surface mount models**
- **Compact size saves space – 36% smaller than traditional 10mm DIP**
- **Crisp, positive detent ensures actuation**
- **RoHS compliant - option available**

Typical Applications

- **Address switching applications**
- **Data storage devices**
- **Computer and peripherals**
- **Instrumentation**

Specifications

CONTACT RATING: 0.4 VA max. @ 20 V AC or V DC max.

MECHANICAL AND ELECTRICAL LIFE:

CD10 & CD16: 20,000 actuations.

CD08: 12,000 actuations.

CONTACT RESISTANCE: 50 milliohms max. initial.

INSULATION RESISTANCE: 100 megohms min.

@ 250 V AC min.

DIELECTRIC STRENGTH: 250 V RMS min. @ sea level.

OPERATING TEMPERATURE: -25°C to 85°C.

STORAGE TEMPERATURE: -40°C to 85°C.

SOLDERABILITY: Per MIL-STD-202F method 208D or EIA RS-186E, method 9 (1 hour steam aging).

PACKAGING: Switches supplied in rigid tubes in full-tube quantities only; this may affect order quantity. Surface mount switches available in tape & reel packaging per EIA 481A, 800 per reel, "MO" actuator only.

Materials

COVER & BASE: Glass filled nylon, flame retardant (UL 94V-0).
RoHS, Version, PPS (UL94V-0).

ACTUATOR: LCP (UL 94V-0), internal o-ring seal standard with all actuators.

KNOB: Glass filled nylon, flame retardant (UL 94V-0).

MOVABLE CONTACTS: Copper alloy with gold plate over nickel plate.

STATIONARY CONTACTS: Copper alloy with gold plate over nickel plate.

TERMINALS: Copper alloy with tin-lead alloy over nickel plate.

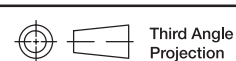
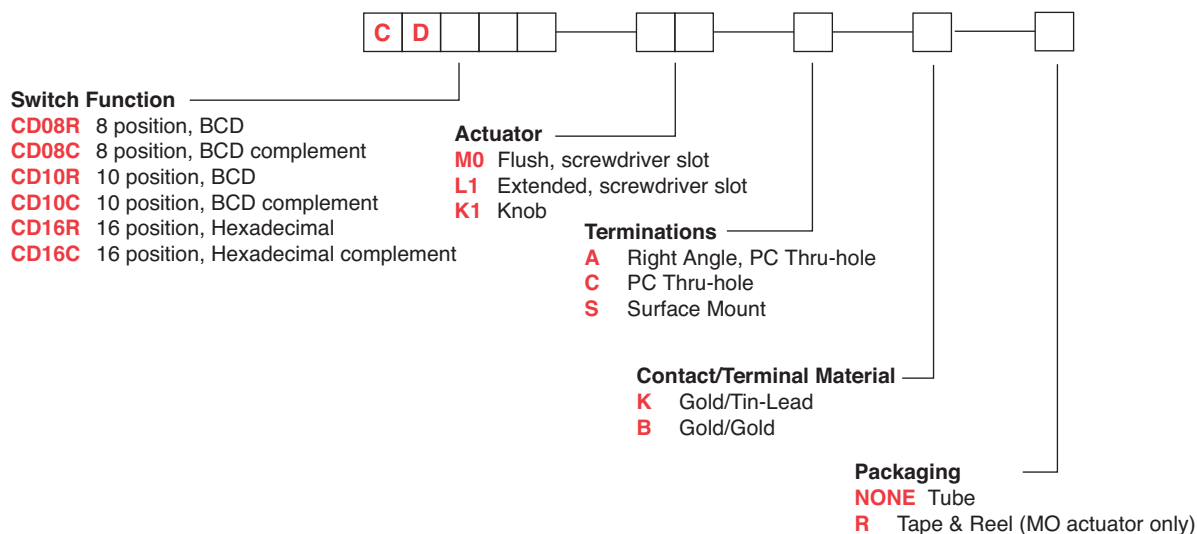
RoHS, Version copper alloy with gold plate over nickel plate.

NOTE: For the latest information regarding RoHS compliance, please go to: www.ittcannon.com/rohs.

Note: Specifications and materials listed above are for switches with standard options. For information on specific and custom switches, consult Customer Service Center.

How To Order

Our easy Build-A Switch concept allows you to mix and match options to create the switch you need. Below is a complete listing of options shown in catalog. To order, simply select desired option from each category and place in the appropriate box.



Dimensions are shown: Inch (mm)
Specifications and dimensions subject to change

C&K CD Series 8mm DIP Coded Rotary Switches

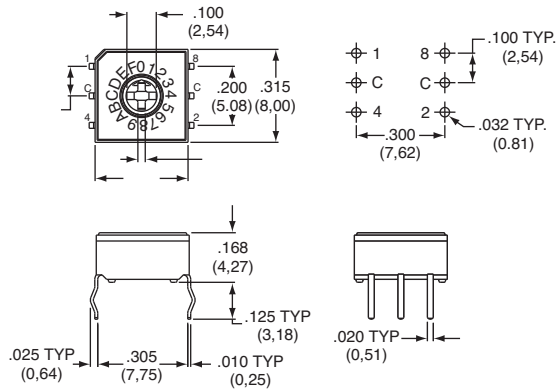
SWITCHES WITH STANDARD OPTIONS



DIP

PC Mount

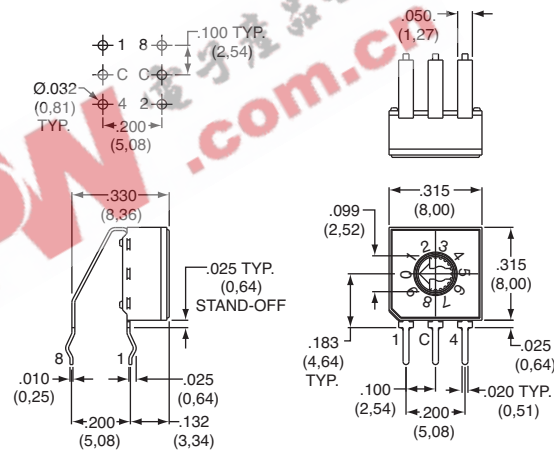
| PART NUMBER | NO. POS. | QUANTITY PER TUBE |
|------------------|----------|-------------------|
| CD08RM0CK | 8 | 60 |
| CD10RM0CK | 10 | 60 |
| CD16RM0CK | 16 | 60 |



CD16RM0CK

Right Angle Mount

| PART NUMBER | NO. POS. | QUANTITY PER TUBE |
|------------------|----------|-------------------|
| CD08RM0AK | 8 | 60 |
| CD10RM0AK | 10 | 60 |
| CD16RM0AK | 16 | 60 |

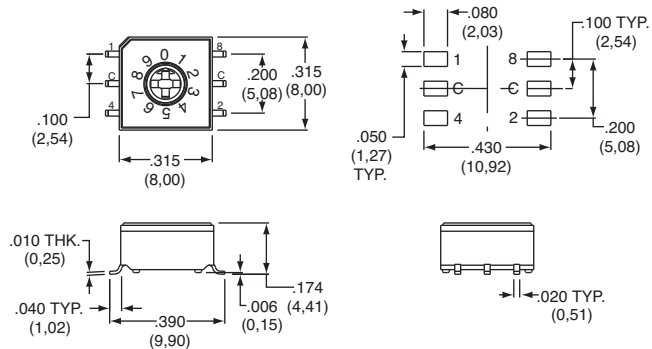


CD10RM0AK

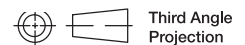
Surface Mount

| PART NUMBER | NO. POS. | QUANTITY PER TUBE |
|------------------|----------|-------------------|
| CD08RM0SK | 8 | 60 |
| CD10RM0SK | 10 | 60 |
| CD16RM0SK | 16 | 60 |

Note: For tape and reel packaging, add 'R' to end of part number.



CD10RM0SK



Third Angle Projection

Dimensions are shown: Inch (mm)
Specifications and dimensions subject to change



C&K CD Series 8mm DIP Coded Rotary Switches



DIP

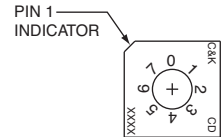
SWITCH FUNCTION

CD08R 8 POSITION, BCD
ACTUATOR COLOR: WHITE

CD08C 8 POSITION, BCD COMPLEMENT
ACTUATOR COLOR: BLACK

| POS. | 0 | 1 | 2 | 3 | 4 | 5 | 6 | 7 |
|------|---|---|---|---|---|---|---|---|
| C | ● | ● | ● | ● | ● | ● | ● | ● |
| 1 | | ● | | ● | | ● | | ● |
| 2 | | | ● | ● | | ● | ● | |
| 4 | | | | | ● | ● | ● | ● |
| 8 | | | | | | | | |

| POS. | 0 | 1 | 2 | 3 | 4 | 5 | 6 | 7 |
|------|---|---|---|---|---|---|---|---|
| C | ● | ● | ● | ● | ● | ● | ● | ● |
| 1 | ● | | ● | | ● | | ● | |
| 2 | ● | ● | | | ● | ● | | |
| 4 | ● | ● | ● | ● | | | | |
| 8 | ● | ● | ● | ● | ● | ● | ● | ● |

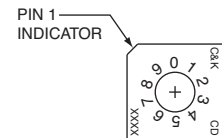


CD10R 10 POSITION, BCD
ACTUATOR COLOR: RED

CD10C 10 POSITION, BCD COMPLEMENT
ACTUATOR COLOR: BLACK

| POS. | 0 | 1 | 2 | 3 | 4 | 5 | 6 | 7 | 8 | 9 |
|------|---|---|---|---|---|---|---|---|---|---|
| C | ● | ● | ● | ● | ● | ● | ● | ● | ● | ● |
| 1 | | ● | | ● | | ● | | ● | | ● |
| 2 | | | ● | ● | | ● | ● | | | |
| 4 | | | | | ● | ● | ● | ● | | |
| 8 | | | | | | | | | ● | ● |

| POS. | 0 | 1 | 2 | 3 | 4 | 5 | 6 | 7 | 8 | 9 |
|------|---|---|---|---|---|---|---|---|---|---|
| C | ● | ● | ● | ● | ● | ● | ● | ● | ● | ● |
| 1 | ● | | ● | | ● | | ● | | ● | |
| 2 | ● | ● | | | ● | ● | | | | |
| 4 | ● | ● | ● | ● | | | | | | |
| 8 | ● | ● | ● | ● | ● | ● | ● | ● | ● | ● |

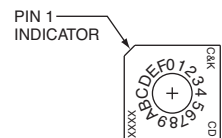


CD16R 16 POSITION, HEXADECIMAL
ACTUATOR COLOR: ORANGE

CD16C 16 POSITION, HEXADECIMAL COMPLEMENT
ACTUATOR COLOR: WHITE

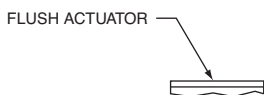
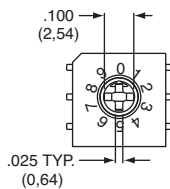
| POS. | 0 | 1 | 2 | 3 | 4 | 5 | 6 | 7 | 8 | 9 | A | B | C | D | E | F |
|------|---|---|---|---|---|---|---|---|---|---|---|---|---|---|---|---|
| C | ● | ● | ● | ● | ● | ● | ● | ● | ● | ● | ● | ● | ● | ● | ● | ● |
| 1 | | ● | | ● | | ● | | ● | | ● | | ● | | ● | | ● |
| 2 | | | ● | ● | | ● | ● | | | ● | ● | | | ● | ● | |
| 4 | | | | | ● | ● | ● | ● | | | | ● | ● | ● | ● | |
| 8 | | | | | | | | | ● | ● | ● | ● | ● | ● | ● | ● |

| POS. | 0 | 1 | 2 | 3 | 4 | 5 | 6 | 7 | 8 | 9 | A | B | C | D | E | F |
|------|---|---|---|---|---|---|---|---|---|---|---|---|---|---|---|---|
| C | ● | ● | ● | ● | ● | ● | ● | ● | ● | ● | ● | ● | ● | ● | ● | ● |
| 1 | ● | | ● | | ● | | ● | | ● | | ● | | ● | | ● | |
| 2 | ● | ● | | | ● | ● | | | | | ● | ● | | | | |
| 4 | ● | ● | ● | ● | | | | | | | | | ● | ● | ● | ● |
| 8 | ● | ● | ● | ● | ● | ● | ● | ● | ● | ● | ● | ● | ● | ● | ● | ● |



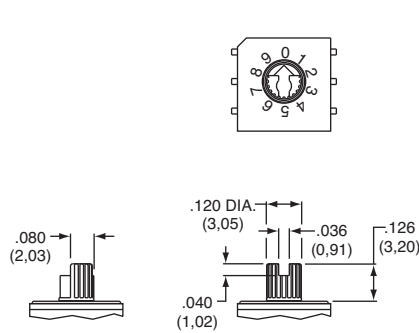
ACTUATOR

M0 (STD.) FLUSH WITH SCREWDRIVER SLOT

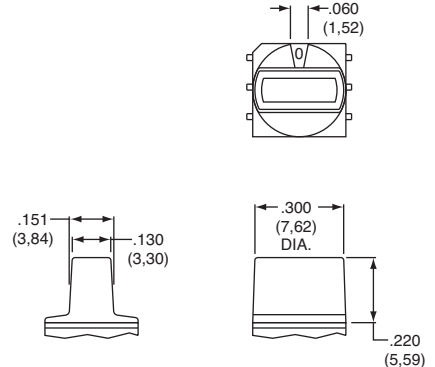


NOTE: Designed for #0 Phillips screwdriver.

L1 EXTENDED WITH SCREWDRIVER SLOT



K1 KNOB



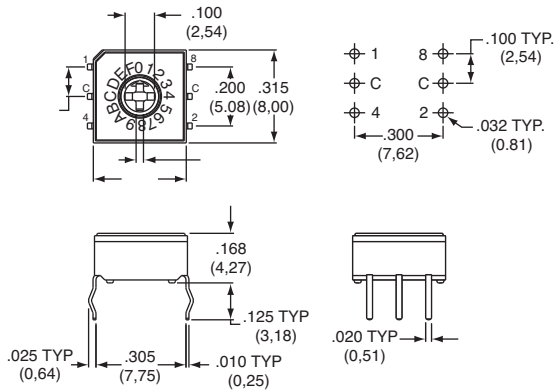
Dimensions are shown: Inch (mm)
Specifications and dimensions subject to change



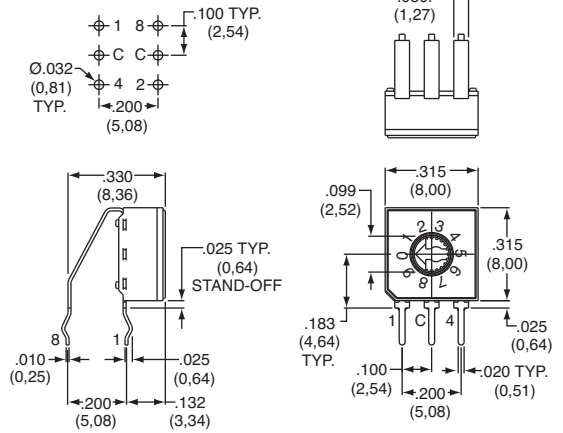
C&K CD Series 8mm DIP Coded Rotary Switches

TERMINATIONS

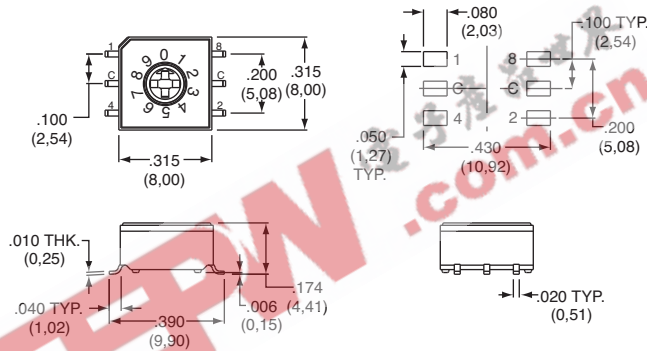
C PC THRU-HOLE



A RIGHT ANGLE, PC THRU-HOLE



S SURFACE MOUNT



CONTACT MATERIAL

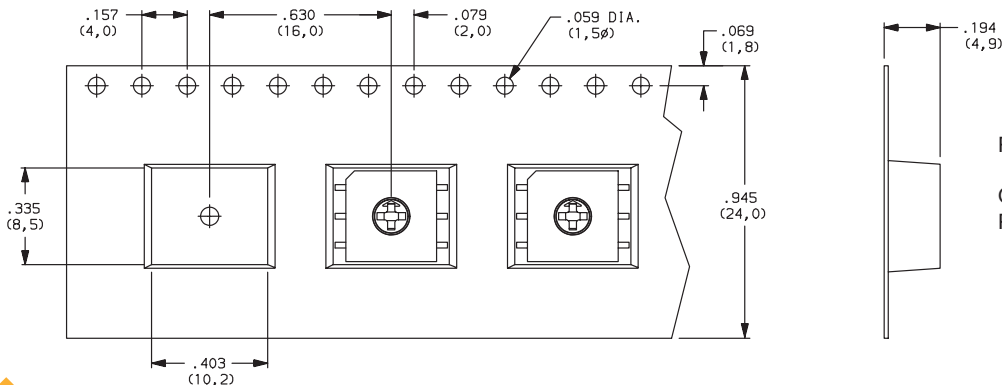
| OPTION CODE | RoHS COMPLIANT* | RoHS COMPATIBLE* | CONTACT MATERIAL | TERMINAL PLATING | RATING | |
|-------------|-----------------|------------------|------------------|------------------|-----------------------|----------------------------------|
| K | NO | YES | GOLD | TIN-LEAD | LOW LEVEL/DRY CIRCUIT | 0.4 VC MAX. @ 20 V AC or DC MAX. |
| B | YES | YES | GOLD | GOLD | LOW LEVEL/DRY CIRCUIT | 0.4 VC MAX. @ 20 V AC or DC MAX. |

* Note: See Technical Data section of this catalog for RoHS compliant and compatible definitions and specifications.

TAPE & REEL

For part number CDxxMOSK

FEED DIRECTION



Reel Information

Outside diameter 13.00 (333,0)
Pilot hole .512 (13,0)



Third Angle Projection

Dimensions are shown: Inch (mm)
Specifications and dimensions subject to change

