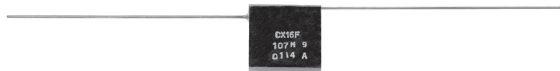




# Subminiature, Leaded Solid Tantalum Capacitors

## FEATURES

- Axial leads
- 2 to 35 VDC
- 0.1 $\mu$ F to 220 $\mu$ F
- Operating temperature range : - 55°C to + 85°C
- Qualified to MIL-PRF-49137



## ORDERING INFORMATION

**CX**  
MODEL

**16**  
LEAD  
CONFIGURATION

1 = Axial

**A**  
VOLTAGE

**474**  
CAPACITANCE

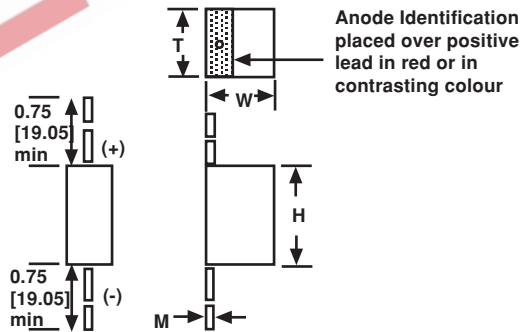
**M**  
CAPACITANCE  
TOLERANCE

M =  $\pm$  20%  
K =  $\pm$  10%

Example: CX16A474M

## DIMENSIONS in inches [millimeters]

AXIAL



CASE CODE	T MAX	W MAX	H MAX	M $\pm$ 0.002 [ $\pm$ 0.051]
A	0.040 [1.02]	0.050 [1.27]	0.100 [2.54]	0.007 [0.18]
B	0.040 [1.02]	0.070 [1.78]	0.125 [3.18]	0.010 [0.25]
C	0.070 [1.78]	0.120 [3.05]	0.165 [4.19]	0.010 [0.25]
D	0.075 [1.91]	0.185 [4.70]	0.225 [5.72]	0.010 [0.25]
E	0.110 [2.79]	0.220 [5.59]	0.290 [7.37]	0.016 [0.41]
F	0.130 [3.30]	0.230 [5.84]	0.310 [7.87]	0.016 [0.41]
G	0.150 [3.81]	0.375 [9.53]	0.475 [12.07]	0.016 [0.41]

# CX16

Vishay Sprague

Subminiature, Leaded Solid Tantalum Capacitors



<b>STANDARD RATINGS</b>				
CAPACITANCE ( $\mu$ F)	MAX DF (%)	MAX. DCL @ + 25°C ( $\mu$ A)	CASE CODE	PART NUMBER
<b>2 WVDC @ + 85°C</b>				
0.47	10	0.5	A	CX16A474-*
2.2	10	0.5	B	CX16A225-*
10	10	0.5	C	CX16A106-*
<b>3 WVDC @ + 85°C</b>				
1.5	10	0.5	B	CX16B155-*
6.8	10	0.5	C	CX16B685-*
22	10	1	D	CX16B226-*
220	15	9	G	CX16B227-*
<b>4 WVDC @ + 85°C</b>				
0.33	10	0.5	A	CX16C334-*
1	8	0.5	B	CX16C105-*
4.7	8	0.5	C	CX16C475-*
15	8	1	D	CX16C156-*
47	8	2	E	CX16C476-*
68	8	3	F	CX16C686-*
<b>6 WVDC @ + 85°C</b>				
0.22	10	0.5	A	CX16D224-*
0.68	6	0.5	B	CX16D684-*
3.3	6	0.5	C	CX16D335-*
10	6	1	D	CX16D106-*
33	6	2	E	CX16D336-*
47	6	3	F	CX16D476-*
150	10	9	G	CX16D157-*
<b>10 WVDC @ + 85°C</b>				
0.15	10	0.5	A	CX16F154-*
0.47	6	0.5	B	CX16F474-*
2.2	6	0.5	C	CX16F225-*
6.8	6	1	D	CX16F685-*
22	6	2	E	CX16F226-*
33	6	3	F	CX16F336-*
100	8	9	G	CX16F107-*
<b>15 WVDC @ + 85°C</b>				
0.10	10	0.5	A	CX16H104-*
0.33	6	0.5	B	CX16H334-*
1.5	6	0.5	C	CX16H155-*
15	6	2	E	CX16H156-*
22	6	3	F	CX16H226-*
68	8	9	G	CX16H686-*

\*Add suffix to indicate capacitance tolerance K =  $\pm$  10% or M =  $\pm$  20%



STANDARD RATINGS				
CAPACITANCE ( $\mu$ F)	MAX DF (%)	MAX. DCL @ + 25°C ( $\mu$ A)	CASE CODE	PART NUMBER
<b>20 WVDC @ + 85°C</b>				
0.10	6	0.5	B	CX16J104-*
0.15	6	0.5	B	CX16J154-*
0.22	6	0.5	B	CX16J224-*
1	6	0.5	C	CX16J105-*
3.3	6	1	D	CX16J335-*
4.7	6	1	D	CX16J475-*
10	6	2	E	CX16J106-*
15	6	3	F	CX16J156-*
47	8	9	G	CX16J476-*
<b>25 WVDC @ + 85°C</b>				
0.68	6	0.5	C	CX16K684-*
2.2	6	1	D	CX16K225-*
6.8	6	2	E	CX16K685-*
10	6	3	F	CX16K106-*
33	6	9	G	CX16K336-*
<b>35 WVDC @ + 85°C</b>				
0.10	6	0.5	C	CX16M104-*
0.15	6	0.5	C	CX16M154-*
0.22	6	0.5	C	CX16M224-*
0.33	6	0.5	C	CX16M334-*
0.47	6	0.5	C	CX16M474-*
0.68	6	1	D	CX16M684-*
1	6	1	D	CX16M105-*
1.5	6	1	D	CX16M155-*
2.2	6	2	E	CX16M225-*
3.3	6	2	E	CX16M335-*
4.7	6	2	E	CX16M475-*
6.8	6	3	F	CX16M685-*
10	6	9	G	CX16M106-*
15	6	9	G	CX16M156-*
22	6	9	G	CX16M226-*

\*Add suffix to indicate capacitance tolerance K =  $\pm$  10% or M =  $\pm$  20%