

Description

- Ceramic resonators in the MHz band for microprocessors.
- Applicable oscillating frequency range: 16.93MHz, 33.86MHz.

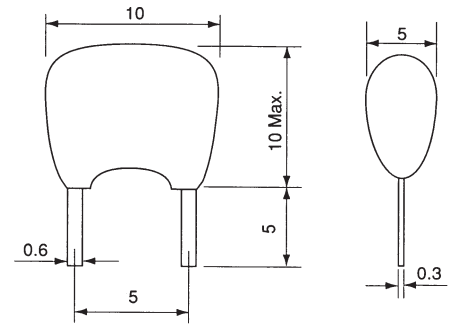
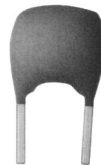
Features

- Precise oscillating frequency without adjustment.
- May be used with a variety of ICs.
- Lead-free terminations

Applications

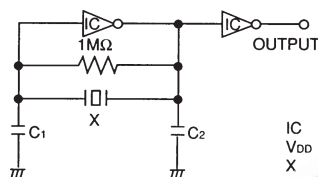
- Reference signal oscillators for—Microcomputers (CD/MD players, CD-ROM, CD-R, etc.)
- Digital applications equipment including measuring instruments, communications equipment, toys, etc.

Dimensions



Unit: mm

Test Circuit



IC : TC74HCU04AP
 V_{DD} : +5V
 X : Ceramic element
 C₁, C₂ : External capacitors

STANDARD RESONATORS SELECTION GUIDE

TYPE CRHD (CERASONATOR®) MHz Band Resonators

TOKO Part Number*	Oscillating Frequency (Fosc) (MHz)	Resonance Impedance (Ω)	Fosc Temp. Stability (-20°C ~ +80°C)	External Capacitor	
				C ₁ (pF)	C ₂ (pF)
DCRHD16.93	16.93±0.5%	40 max.	±0.3%	30	30
DCRHD33.86	33.86±0.5%	40 max.	±0.3%	5	5

- Oscillating frequency tolerance can be designed narrower than Fosc±0.5%, but Fosc±0.2%.
- TOKO performs matching evaluations for all types of ICs. Please contact TOKO regarding applicable products.



The information furnished by TOKO, Inc. is believed to be accurate and reliable. However, TOKO reserves the right to make changes or improvements in the design, specification or manufacture of its products without further notice. TOKO does not assume any liability arising from the application or use of any product or circuit described herein, nor for any infringements of patents or other rights of third parties which may result from the use of its products. No license is granted by implication or otherwise under any patent or patent rights of TOKO, Inc.