

# C&K D Series Miniature Snap-in Power Rocker Switches

## Features/Benefits

- Momentary and maintained models
- PC and quick connect terminals
- Recessed bracket available — prevents accidental actuation
- RoHS compliant

## Typical Applications

- Small appliances
- Computers and peripherals
- Medical instrumentation



Models Available

## Specifications

CONTACT RATING: D10X and D20X Models: 4 AMPS @ 125 V AC; 2 AMPS @ 250 V AC. D50X and D60X Models: 10 AMPS @ 125 V AC; 5 AMPS @ 250 V AC.

ELECTRICAL LIFE: 10,000 make-and-break cycles at full load.

INSULATION RESISTANCE:  $10^9 \Omega$  min.

DIELECTRIC STRENGTH: 1,000 Vrms min. @ sea level.

**NOTE:** For the latest information regarding RoHS compliance, please go to: [www.ittcannon.com/rohs](http://www.ittcannon.com/rohs).

**NOTE:** Specifications and materials listed above are for standard switches. For information on specific and custom switches, consult Customer Service Center.

## Materials

ACTUATOR & HOUSING: 6/6 nylon (UL 94V-2), color black, finish: matte.

MOVABLE CONTACTS: D10X and D20X Models: Copper, silver plated. D50X and D60X Models: Coin silver, silver plated.

STATIONARY CONTACTS AND TERMINALS: Copper or brass, silver plated.

CONTACT SPRING: Music wire or stainless steel.

OPERATING TEMPERATURE: -30°C to +65°C

## Build-A-Switch

To order, simply select desired option from each category and place in the appropriate box. Available options are shown and described on pages H-62 through H-66. For additional options not shown in catalog, consult Customer Service Center.

**Switch Function**

- D101 SPDT, On-None-On
- D102 SPST, On-None-Off
- D103 SPDT, On-Off-On
- D105 SPDT, Mom.-Off-Mom.
- D108 SPDT, Mom.-None-On
- D201 DPDT, On-None-On
- D202 DPST, On-None-Off
- D203 DPDT, On-Off-On
- D501 SPDT, On-None-On
- D502 SPST, On-None-Off
- D503 SPDT, On-Off-On
- D508 SPDT, Mom.-None-On
- D601 DPDT, On-None-On
- D602 DPST, On-None-Off
- D608 DPDT, Mom.-None-On

**Actuator**

- J1 Rocker
- J5 Lever

**Actuator Color**

- 2 Black
- 1 White
- 3 Red

**Mounting Style/Color**

- S2 Snap-in, black
- B2 Recessed snap-in actuator guard, black
- G2 Actuator guard, black
- S1 Snap-in, white

**Terminations**

- 15 Quick connect
- A Right angle, PC thru-hole
- 02 PC Thru-hole
- 05 Twisted quick connect
- 06 Extended PC thru-hole
- 17 Wirable quick connect

**Actuator Markings**

- NONE No marking
- D ON-OFF
- H 0 I
- N Large dot
- P 0 -
- R Red rectangle on end
- U Large dot on end

**Contact Material**

- QA Silver (UL/CSA)
- QF Silver (UL/CSA/VDE)

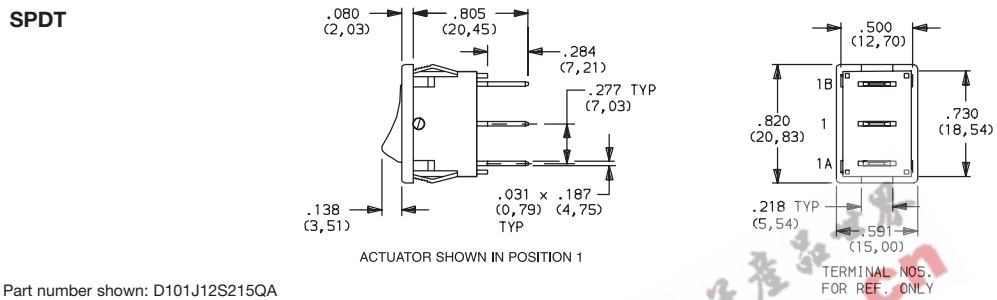


Dimensions are shown: Inch (mm)  
Specifications and dimensions subject to change

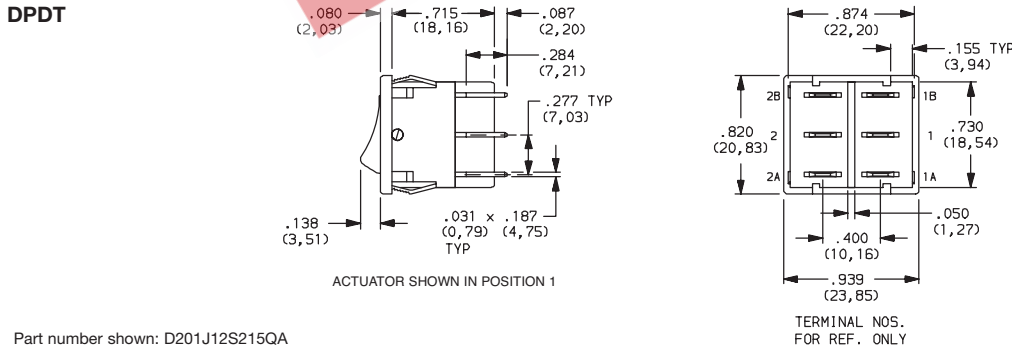
# C&K D Series Miniature Snap-in Power Rocker Switches

## SWITCH FUNCTION

NO. POLES	MODEL NO.	AMP RATING*	SWITCH FUNCTION			CONNECTED TERMINALS			SCHEMATIC	
			POS. 1	POS. 2	POS. 3	POS. 1	POS. 2	POS. 3		
SP	<b>D102</b> <b>D502</b>	4 10	ON	NONE	OFF	1-1A	N/A	OPEN	SPST	
	<b>D101</b> <b>D501</b>	4 10	ON	NONE	ON			OPEN	1-1B	SPDT
	<b>D103</b> <b>D503</b>	4 10		OFF						
	<b>D105</b>	4	MOM.	OFF	MOM.					
	<b>D108</b> <b>D508</b>	4 10	MOM.	NONE	ON					



DP	<b>D202</b> <b>D602</b>	4 10	ON	NONE	OFF	1-1A, 2-2A	N/A	OPEN	DPST	
	<b>D201</b> <b>D601</b>	4 10	ON	NONE	ON			OPEN	1-1B, 2-2B	DPDT
	<b>D203</b>	4		OFF						
	<b>D608</b>	10	MOM.	NONE						



MOM. = Momentary  
 \*AMP RATING: D10X and D20X models: 4 AMPS @ 125 V AC; 2 AMPS @ 250 V AC. D50X and D60X models: 10 AMPS @ 125 V AC; 5 AMPS @ 250 V AC.  
 All models . DX01, DX02 models also available with . See CONTACT MATERIALS, page H-68.

Rocker

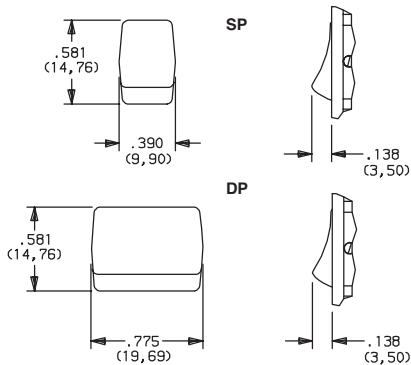


Dimensions are shown: Inch (mm)  
 Specifications and dimensions subject to change

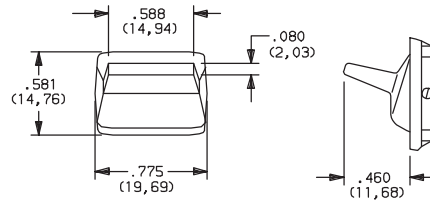
# C&K D Series Miniature Snap-in Power Rocker Switches



## J1 ROCKER



## J5 LEVER



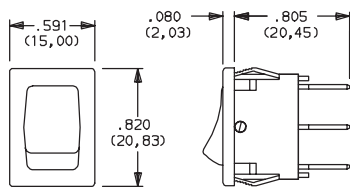
OPTION CODE	ACTUATOR COLOR
2	BLACK
1	WHITE
3	RED

**NOTE:** Actuator finish: matte. Other colors available, consult Customer Service Center.

'J5' actuator available only with DP models D201, D202, D601 and D602.

## MOUNTING STYLE/COLOR

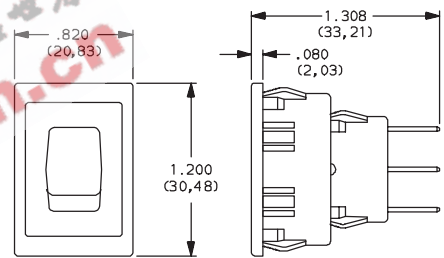
### S SNAP-IN



OPTION CODE	HOUSING COLOR
2	(STD.) BLACK
1	WHITE

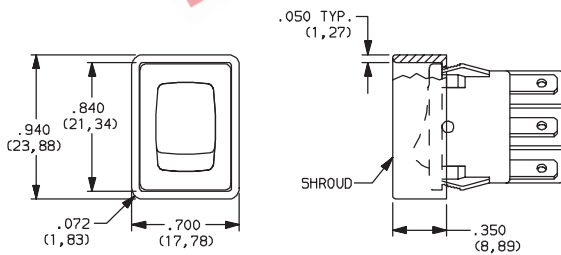
**NOTE:** Frame finish on housing: matte. Other colors available, consult Customer Service Center.

### B2 RECESSED SNAP-IN ACTUATOR GUARD, BLACK



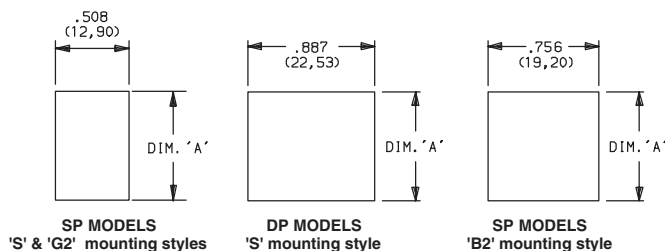
**NOTE:** Vertical mount, SP models only.

### G2 ACTUATOR GUARD, BLACK



**NOTE:** Vertical mount, SP models only.

### PANEL MOUNTING



PANEL THICKNESS	DIM 'A' SP & DP MODELS 'S' MOUNTING STYLE	DIM 'A' WITH 'G2' OPTION SP MODELS ONLY	DIM 'A' SP MODELS 'B' MOUNTING STYLE
.030-.049 (0,76) (1,24)	.756 (19,20)	.764 (19,41)	1.068 (27,13)
.049-.079 (1,24) (2,01)	.764 (19,41)	.780 (19,81)	1.076 (27,33)
.079-.118 (2,01) (3,00)	.780 (19,81)	n/a	1.092 (27,74)

**NOTE:** Blank insert available for SP models only, see page H-68.

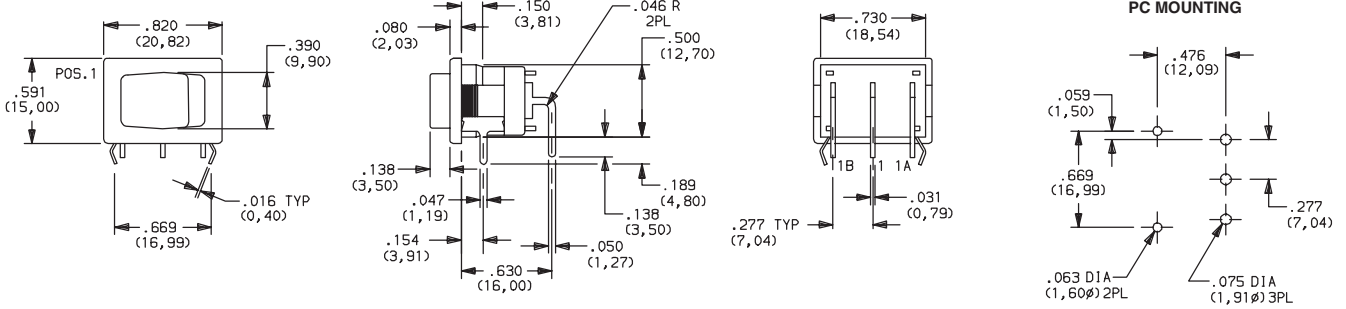


Third Angle Projection  
Dimensions are shown: Inch (mm)  
Specifications and dimensions subject to change

# C&K D Series Miniature Snap-in Power Rocker Switches

## TERMINATIONS

### A RIGHT ANGLE, PC THRU-HOLE



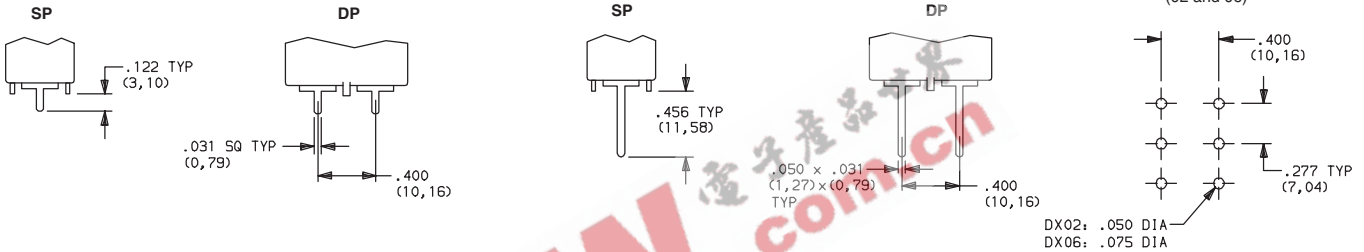
Available with D101, D102, D501, D502 SP models only.

## TERMINATIONS

### 02 PC THRU-HOLE

### 06 EXTENDED PC THRU-HOLE

### PC MOUNTING (02 and 06)



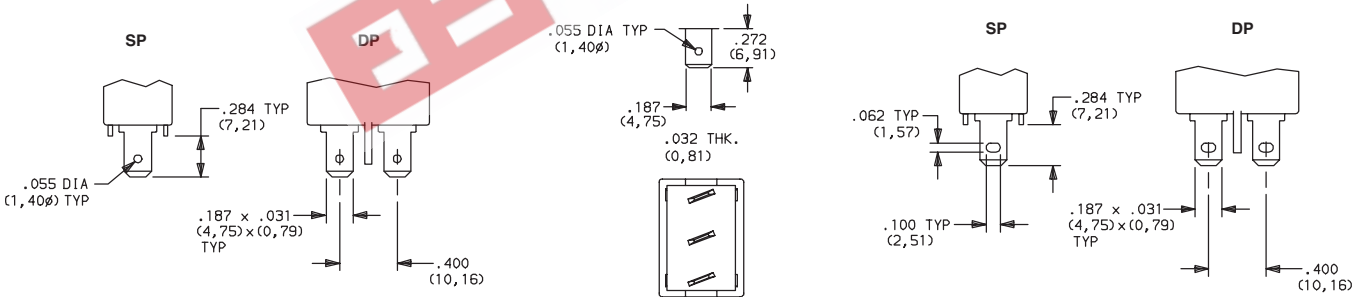
Available with DX01 and DX02 models only.

Available with DX01 and DX02 models only.

### 15 QUICK CONNECT

### 05 TWISTED QUICK CONNECT

### 17 WIRABLE QUICK CONNECT



Available with DX01 and DX02 models only.

**NOTE:** Terminals are twisted.

Available with DX01 and DX02 models only.

## ACTUATORS

**NONE** NO MARKING

**D** ON-OFF

**H** O |

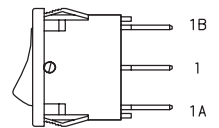
**N** LARGE DOT

**P** O -

**R** RED RECTANGLE ON END

**U** LARGE DOT ON END

Rocker



**NOTE:** Orientation of actuator markings and terminals.

'D, H, P & U' marking options: marking color white, standard for all actuator colors except white. Black marking color, standard for white actuators. 'R & N' marking option: red marking color, standard. Consult Customer Service Center for other available marking colors.



Third Angle Projection

Dimensions are shown: Inch (mm)  
Specifications and dimensions subject to change

www.ittcannon.com



ITT

# C&K D Series Miniature Snap-in Power Rocker Switches






## CONTACT MATERIAL

OPTION CODE	RoHS COMPLIANT *	RoHS COMPATIBLE *	CONTACT AND TERMINAL MATERIAL	RATINGS	
				POWER	
QA	YES	YES	SILVER <sup>1</sup>	POWER	D10X and D20X MODELS: 4 AMPS @ 125 V AC; 2 AMPS @ 250 V AC (UL/CSA). D50X and D60X MODELS: 10 AMPS @ 125 V AC; 5 AMPS @ 250 V AC (UL/CSA).
QF	YES	YES			D10X and D20X MODELS: 4 AMPS @ 125 V AC; 2 AMPS @ 250 V AC (UL/CSA). 4(2) AMPS @ 125 V AC; 2(1) AMPS @ 250 V AC, T85 (VDE). D50X and D60X MODELS: 10 AMPS @ 125 V AC; 5 AMPS @ 250 V AC (UL/CSA). 10(6) AMPS @ 125 V AC; 5(3) AMPS @ 250 V AC, T85 (VDE).

<sup>1</sup>MOVABLE CONTACT: D10X and D20X MODELS: Copper, silver plated.  
D50X and D60X MODELS: Coin silver, silver plated.

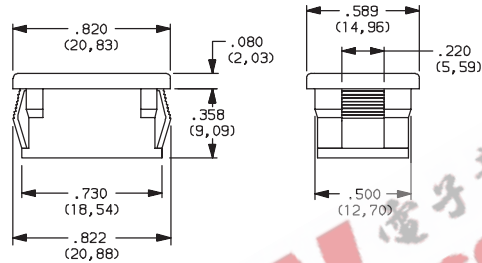
STATIONARY CONTACTS & TERMINALS: Copper or brass, silver plated.

**NOTE:** For the latest information regarding RoHS compliance, please go to: [www.ittcannon.com/rohs](http://www.ittcannon.com/rohs).

All models   with all options. DX01, DX02 models    when ordered with 'QF' contact material.

## AVAILABLE HARDWARE

Insert  
SP Only



PART NO.  
**057190200** BLACK

Material: Nylon 6/6  
Finish: Matte

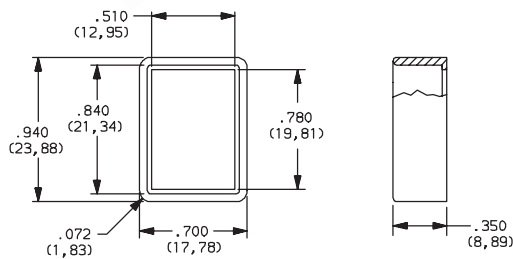
Recessed Actuator Guard,  
SP Only



PART NO.  
**057090100** BLACK

Material: 6/6 Nylon  
Finish: Matte

Actuator Guard



PART NO.  
**104C02000**

Material: PBT thermoplastic  
Finish: Matte



Dimensions are shown: Inch (mm)  
Specifications and dimensions subject to change