

# D.ML 0312

Vishay Draloric



## Ceramic Singlelayer Feed-Through Capacitors 400V<sub>DC</sub>

### DESIGN:

Feed-through capacitor, threaded type

### RATED VOLTAGE U<sub>R</sub>:

400V<sub>DC</sub> (175V<sub>RMS</sub>)

### DIELECTRIC STRENGTH BETWEEN LEADS:

550 V<sub>DC</sub> 1s

### DISSIPATION FACTOR tan δ:

Ceramic Class 1: see General Information

Ceramic Class 2:  $\leq 25 \cdot 10^{-3}$

### INSULATION RESISTANCE R<sub>is</sub>:

Ceramic Class 1:  $\geq 1 \cdot 10^{10} \Omega$

Ceramic Class 2:  $\geq 5 \cdot 10^9 \Omega$

### CATEGORY TEMPERATURE RANGE θ<sub>A</sub>:

Ceramic Class 1: (- 55 to + 125)°C

Ceramic Class 2: (- 25 to + 85)°C

### CLIMATIC TESTING CLASS ACC. TO EN 60068-1:

40 / 085 / 21

### PERMISSIBLE REACTIVE POWER:

5.4VAr (Class 2), 90VAr (Class 1)

### MARKING:

Capacitance value

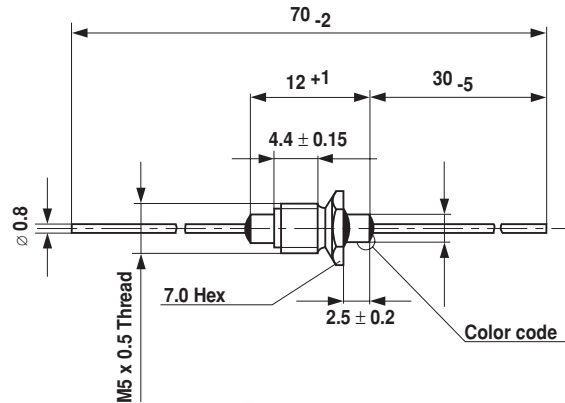
Ceramic dielectric color code

### MAXIMUM PERMISSIBLE TORQUE:

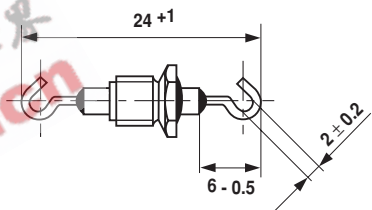
0.6 Nm (clearance hole mounting)

0.4 Nm (threaded hole mounting)

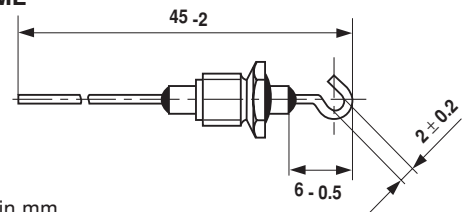
### SERIES DDML



### SERIES DZML



### SERIES DURL



• Dimensions in mm

### DIRECT CURRENT I<sub>DC</sub>:

10A

### MOUNTING HARDWARE:

A threaded nut (7.0 HEX) is supplied in bulk

CLASS	CERAMIC DIELECTRIC	CAPACITANCE VALUES (pF)	TOLERANCE
1B	P 100	5	± 1pF
		10	± 20%
	N 150	25	± 20%
		60	± 20%
2	N 750	120	± 20%
	R 700	600	- 20 + 50%
	R 2000	1200	- 20 + 50%
	R 3000	3200	- 20 + 30%, - 20 + 50%

• other capacitance values are available on request

### ORDERING INFORMATION

DDML 0312	400V <sub>DC</sub>	25pF	± 20%	N 150
-----------	--------------------	------	-------	-------