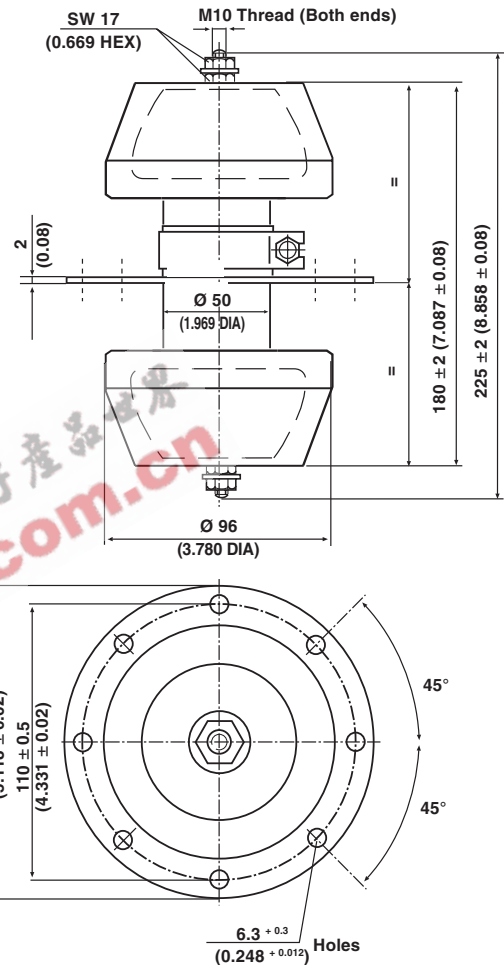
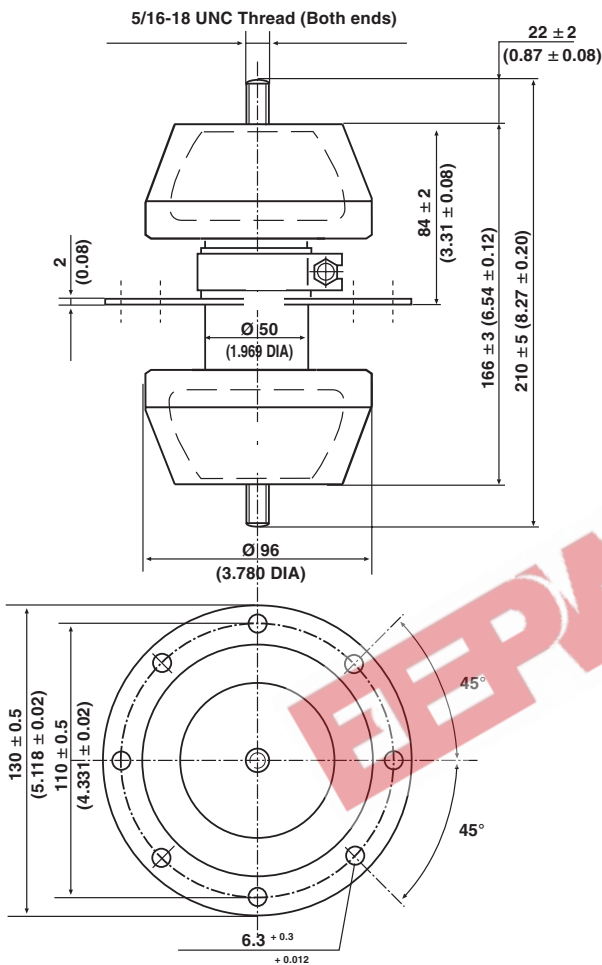


Feed-Through Capacitors with Conductor Rod

DBF 050166 25 KV_P

DBF 050180 30 KV_P



• Dimensions in millimeters (inches)

MATERIAL:

Capacitor elements made from Class 1 ceramic dielectric with noble metal electrodes. Connection terminals: Copper/brass, silver plated.

FINISH:

Noble metal electrodes completely lacquered. Contoured rims glazed and has additional moisture protection (silicone rubber).

MARKING:

Type designator, Capacitance value and tolerance, Rated voltage (peak value), Production date code, Ceramic material code, DRALORIC Logo.

ACCESSORIES ADDED:

Hex. nuts/screws and washers.

ORDERING INFORMATION

DBF 050180	30 KV _P	2000 pF	± 20 %	R 230
MODEL	RATED VOLTAGE	CAPACITANCE VALUE	TOLERANCE	CERAMIC



DBF 050166, DBF 050180

Feed-Through Capacitors with Conductor Rod

Vishay Draloric

DBF 050166				
CERAMIC	CAPACITANCE VALUE [pF]	RATED VOLTAGE [KV _P]	RATED POWER [KVA _r]	RATED CURRENT [A _{RMS}]
R 85	500	25	70	50

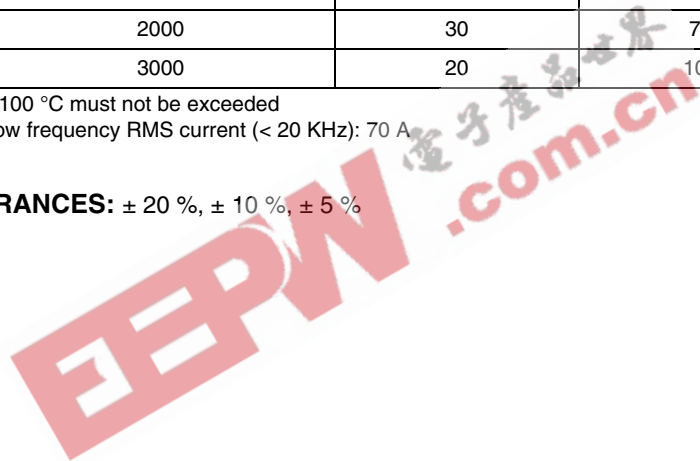
* The surface temperature of 100 °C must not be exceeded
Feed-through current DC or low frequency RMS current (< 20 KHz): 70 A

CAPACITANCE TOLERANCES: ± 20 %, ± 10 %, ± 5 %

DBF 050180				
CERAMIC	CAPACITANCE VALUE [pF]	RATED VOLTAGE [KV _P]	RATED POWER [KVA _r]	RATED CURRENT [A _{RMS}]
R 85	1000	30	70	87
	1500	30	70	87
R 230	2000	30	70	87
	3000	20	100	60

* The surface temperature of 100 °C must not be exceeded
Feed-through current DC or low frequency RMS current (< 20 KHz): 70 A

CAPACITANCE TOLERANCES: ± 20 %, ± 10 %, ± 5 %





Disclaimer

All product specifications and data are subject to change without notice.

Vishay Intertechnology, Inc., its affiliates, agents, and employees, and all persons acting on its or their behalf (collectively, "Vishay"), disclaim any and all liability for any errors, inaccuracies or incompleteness contained herein or in any other disclosure relating to any product.

Vishay disclaims any and all liability arising out of the use or application of any product described herein or of any information provided herein to the maximum extent permitted by law. The product specifications do not expand or otherwise modify Vishay's terms and conditions of purchase, including but not limited to the warranty expressed therein, which apply to these products.

No license, express or implied, by estoppel or otherwise, to any intellectual property rights is granted by this document or by any conduct of Vishay.

The products shown herein are not designed for use in medical, life-saving, or life-sustaining applications unless otherwise expressly indicated. Customers using or selling Vishay products not expressly indicated for use in such applications do so entirely at their own risk and agree to fully indemnify Vishay for any damages arising or resulting from such use or sale. Please contact authorized Vishay personnel to obtain written terms and conditions regarding products designed for such applications.

Product names and markings noted herein may be trademarks of their respective owners.