

# C&K DA Series Miniature Single Pole Rocker Switches

## Features/Benefits

- Nice actuator styling with multiple options
- Guards to prevent accidental actuation
- Momentary and maintained functions
- IP65 splash proof rubber boot option

## Typical Applications

- Small appliances
- Computers and peripherals
- Medical instrumentation



## Specifications

### CONTACT RATING:

UL/CSA: 16 AMPS @ 125 VAC, 1/3 HP;  
10 AMPS @ 250 VAC, 1/2 HP.

VDE: 10 AMPS @ 125 VAC, 6 AMPS @ 250 VAC.

ELECTRICAL LIFE: 10,000 make and break cycles at full load.

INSULATION RESISTANCE:  $10^8 \Omega$  min.

DIELECTRIC STRENGTH: 1,500 VRMS @ sea level.

## Materials

HOUSING AND ACTUATOR: 6/6 nylon (UL94V-2), black, matte finish.

ILLUMINATED ACTUATOR: Polycarbonate, matte finish.

CENTER CONTACTS: Silver plated, copper alloy.

END CONTACTS: Silver plated  $AgSnO_2InO_3$ .

ALL TERMINALS: Silver plated, copper alloy.

**NOTE:** Specifications and materials listed above are for switches with standard options. For information on specific and custom switches, consult Customer Service Center.

## Build-A-Switch

To order, simply select desired option from each category and place in the appropriate box. Available options are shown and described on pages 4 thru 6. For additional options not shown in catalog, consult Customer Service Center.

|                                                                                                                                |                          |                                                                                                                                                             |                          |                                                                                                                                                    |                          |                                                                                                                                    |                          |                                                                                                             |                          |                                                                                                                                                          |  |                         |  |                                                                                                |  |
|--------------------------------------------------------------------------------------------------------------------------------|--------------------------|-------------------------------------------------------------------------------------------------------------------------------------------------------------|--------------------------|----------------------------------------------------------------------------------------------------------------------------------------------------|--------------------------|------------------------------------------------------------------------------------------------------------------------------------|--------------------------|-------------------------------------------------------------------------------------------------------------|--------------------------|----------------------------------------------------------------------------------------------------------------------------------------------------------|--|-------------------------|--|------------------------------------------------------------------------------------------------|--|
| <input type="checkbox"/>                                                                                                       | <input type="checkbox"/> | <input type="checkbox"/>                                                                                                                                    | <input type="checkbox"/> | <input type="checkbox"/>                                                                                                                           | <input type="checkbox"/> | <input type="checkbox"/>                                                                                                           | <input type="checkbox"/> | <input type="checkbox"/>                                                                                    | <input type="checkbox"/> | <input type="checkbox"/>                                                                                                                                 |  |                         |  |                                                                                                |  |
| <b>Switch Function</b>                                                                                                         |                          | <b>Actuator</b>                                                                                                                                             |                          | <b>Actuator Color</b>                                                                                                                              |                          | <b>Mounting Style/Color</b>                                                                                                        |                          | <b>Termination</b>                                                                                          |                          | <b>Actuator Marking</b>                                                                                                                                  |  | <b>Contact Rating</b>   |  | <b>Lamp Rating</b>                                                                             |  |
| <b>DA101</b> SPDT On-None-On<br><b>DA102</b> SPST On-None-Off<br><b>DA103</b> SPDT On-Off-On<br><b>DA12 *</b> SPST On-None-Off |                          | <b>J1</b> Rocker<br><b>J2</b> Two-tone rocker<br><b>J3</b> Illuminated rocker<br><b>J4</b> Circle, illuminated rocker<br><b>J5</b> Oval, illuminated rocker |                          | <b>2 (STD.)</b> Black<br><b>1</b> White<br><b>3</b> Red<br><b>R</b> Red, illuminated<br><b>A</b> Amber, illuminated<br><b>G</b> Green, illuminated |                          | <b>S2 (STD.)</b> Snap-in, black<br><b>S1</b> Snap-in, white<br><b>B2</b> Recessed snap-in bracket, black<br><b>G2</b> Guard, black |                          | <b>15 (STD.)</b> .187" quick connect<br><b>17</b> Solder lug<br><b>02</b> Thru-hole<br><b>A</b> Right angle |                          | <b>(NONE)</b> (STD.) No marking<br><b>D</b> ON-OFF<br><b>H</b> "O I" - international ON-OFF<br><b>N</b> Large dot<br><b>P</b> "O -" international ON-OFF |  | <b>QF (STD.)</b> Silver |  | <b>(NONE)</b> (STD.) No lamp<br><b>6</b> LED<br><b>7</b> 125 VAC neon<br><b>8</b> 250 VAC neon |  |

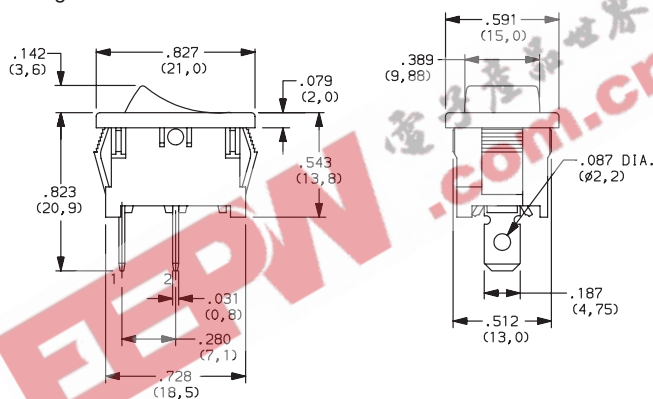
\* DA12 - for switches with both marking and illumination

# C&K DA Series Miniature Single Pole Rocker Switches

## SWITCH FUNCTION

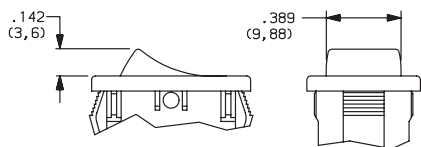
| NO. POLES | MODEL NO. | SWITCH FUNCTION |      |     | CONNECTED TERMINALS |     |     | SCHEMATIC |
|-----------|-----------|-----------------|------|-----|---------------------|-----|-----|-----------|
|           |           |                 |      |     |                     |     |     |           |
| SP        | DA101     | ON              | NONE | ON  |                     |     |     |           |
|           | DA102     | ON              | NONE | OFF | 2-3                 | N/A | 2-1 |           |
|           | DA103     | ON              | OFF  | ON  |                     |     |     |           |
|           | DA12 *    | ON              | NONE | OFF |                     |     |     |           |

\* DA12 - for switches with both marking and illumination



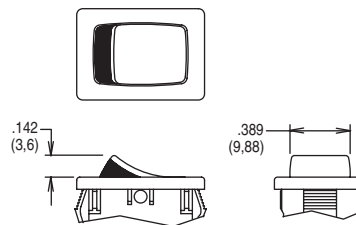
## ACTUATOR

- J1** ROCKER
- J3** ILLUMINATED ROCKER



NOTE: J3 actuator available with DAX02 switch functions only.

- J2** TWO-TONE ROCKER

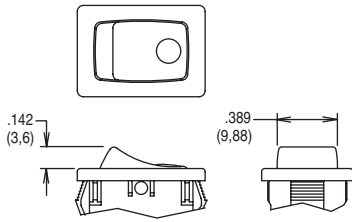


NOTE: Available with DA102 switch function and P actuator marking only.

# C&K DA Series Miniature Single Pole Rocker Switches

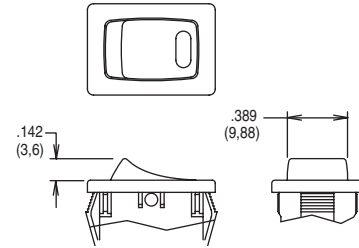
## ACTUATOR

### J4 CIRCLE, ILLUMINATED ROCKER



**NOTE:** Available with DA102 switch function and 7 & 8 lamp ratings only.

### J5 OVAL, ILLUMINATED ROCKER



**NOTE:** Available with DA102 switch function and 6 lamp rating only.

## ACTUATOR COLOR

| OPTION CODE | ACTUATOR COLOR     |
|-------------|--------------------|
| <b>2</b>    | (STD.) BLACK       |
| <b>1</b>    | WHITE              |
| <b>3</b>    | RED                |
| <b>R</b>    | RED, ILLUMINATED   |
| <b>A</b>    | AMBER, ILLUMINATED |
| <b>G</b>    | GREEN, ILLUMINATED |

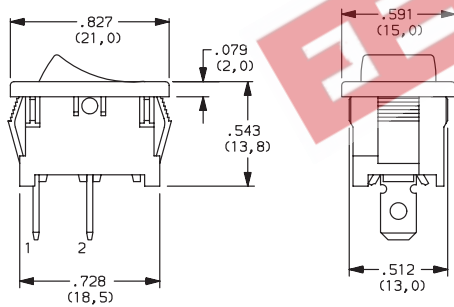
| OPTION CODE | ACTUATOR COLOR |        |
|-------------|----------------|--------|
|             | TOP            | BOTTOM |
| <b>1</b>    | WHITE          | RED    |
| <b>2</b>    | WHITE          | BLACK  |
| <b>3</b>    | RED            | WHITE  |
| <b>4</b>    | BLACK          | WHITE  |
| <b>5</b>    | BLACK          | RED    |

J2 actuator only

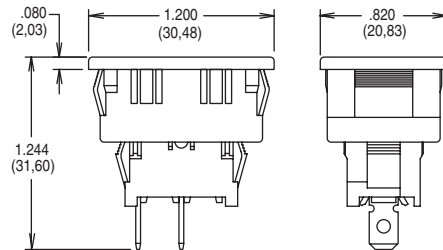
## MOUNTING STYLE/COLOR

### S2 (STD.) SNAP-IN, BLACK

### S1 SNAP-IN, WHITE

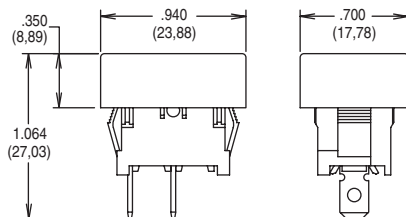


### B2 RECESSED SNAP-IN BRACKET, BLACK



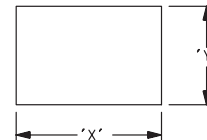
**NOTE:** Available with DA10X switch functions only.

### G2 GUARD, BLACK



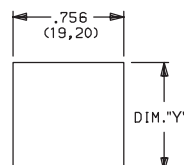
**NOTE:** Available with DA10X switch functions only.

### S2, S1 & G2 PANEL MOUNTING



| PANEL THICKNESS         | "X"                   | "Y"                   |
|-------------------------|-----------------------|-----------------------|
| 0.030-0.049 (0,75-1,25) | 0.756-.004 (19,2-0,1) | 0.512+.004 (13,0+0,1) |
| 0.049-0.079 (1,25-2,0)  | 0.764-.004 (19,4-0,1) | 0.512+.004 (13,0+0,1) |
| 0.079-0.118 (2,0-3,0)   | 0.779-.004 (19,8-0,1) | 0.512+.004 (13,0+0,1) |

### B2 PANEL MOUNTING



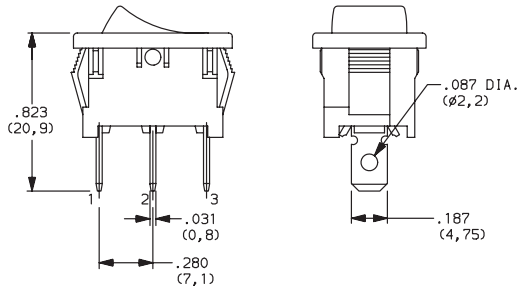
| PANEL THICKNESS         | "Y"           |
|-------------------------|---------------|
| 0.030-0.049 (0,75-0,25) | 1.068 (27,13) |
| 0.049-0.079 (1,25-2,0)  | 1.076 (27,33) |
| 0.079-0.118 (2,0-3,0)   | 1.092 (27,74) |

# C&K DA Series Miniature Single Pole Rocker Switches

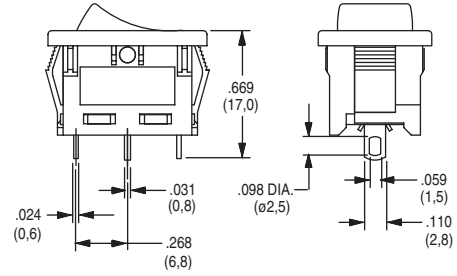
## TERMINATION



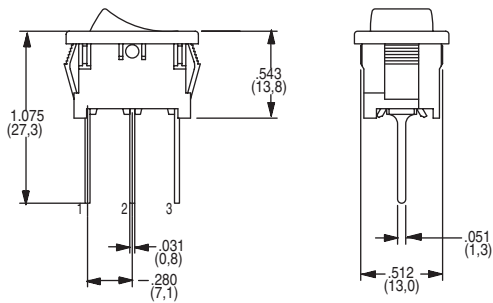
### 15 (STD.) .187" QUICK CONNECT



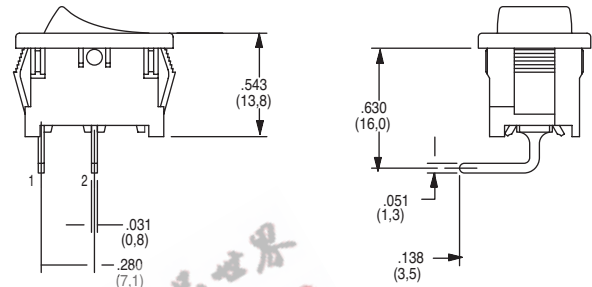
### 17 SOLDER LUG



### 02 THRU-HOLE



### A RIGHT ANGLE



## ACTUATOR MARKING



### NONE (STD.) NO MARKING



### D ON-OFF



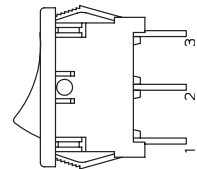
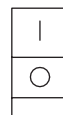
### H O I



### N LARGE DOT



### P O -



NOTE: Orientation of actuator marking and terminals.

## CONTACT MATERIAL



| OPTION CODE | CONTACT AND TERMINAL MATERIAL | RATINGS |                                                                                                           |
|-------------|-------------------------------|---------|-----------------------------------------------------------------------------------------------------------|
| QF (STD.)   | SILVER                        | POWER   | 16 AMPS @ 125 VAC; 1/3 HP; 10 AMPS @ 250 VAC; 1/2 HP, (UL/CSA). 10 AMPS @ 125 VAC, 6 AMPS @ 250 VAC (VDE) |

## LAMP RATING



(NONE) (STD.) NO LAMP

7 125 VAC 33kΩ NEON

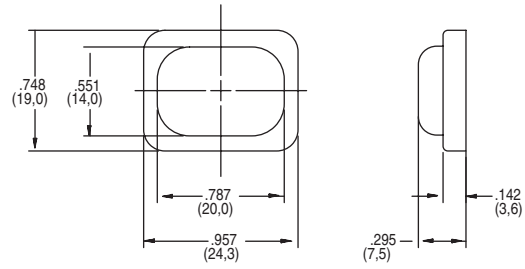
6 LED RATING @ 10 mA  $V_F=1.85V$

8 250 VAC 150kΩ NEON

# C&K DA Series Miniature Single Pole Rocker Switches

## ACCESSORIES

**216C00000** IP65 SPLASH PROOF RUBBER BOOT



EEPW 电子产品世界  
.com.cn