

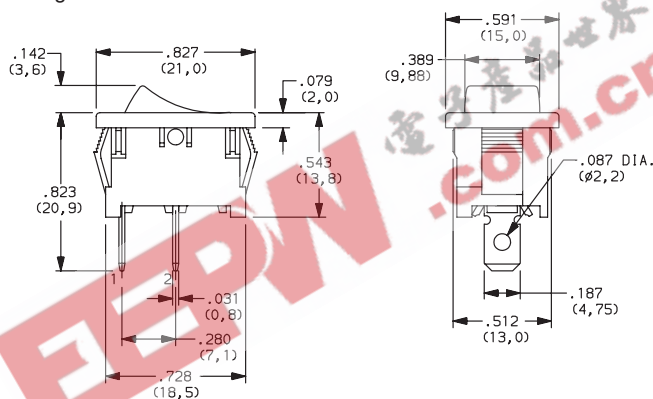


# C&K DA Series Miniature Single Pole Rocker Switches

## SWITCH FUNCTION

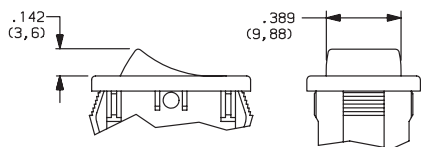
NO. POLES	MODEL NO.	SWITCH FUNCTION			CONNECTED TERMINALS			SCHEMATIC
		C&K marking on opposite side			C&K marking on opposite side			
SP	DA101	ON	NONE	ON				
	DA102	ON	NONE	OFF	2-3	N/A	2-1	
	DA103	ON	OFF	ON				
	DA12 *	ON	NONE	OFF				

\* DA12 - for switches with both marking and illumination



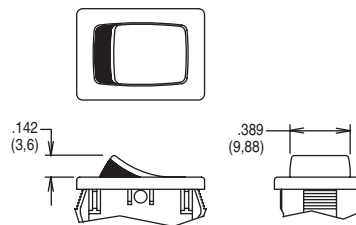
## ACTUATOR

- J1** ROCKER
- J3** ILLUMINATED ROCKER



NOTE: J3 actuator available with DAX02 switch functions only.

- J2** TWO-TONE ROCKER

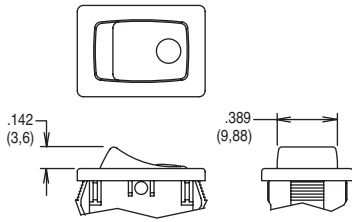


NOTE: Available with DA102 switch function and P actuator marking only.

# C&K DA Series Miniature Single Pole Rocker Switches

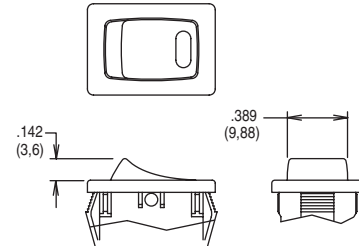
## ACTUATOR

### J4 CIRCLE, ILLUMINATED ROCKER



**NOTE:** Available with DA102 switch function and 7 & 8 lamp ratings only.

### J5 OVAL, ILLUMINATED ROCKER



**NOTE:** Available with DA102 switch function and 6 lamp rating only.

## ACTUATOR COLOR

OPTION CODE	ACTUATOR COLOR
<b>2</b>	(STD.) BLACK
<b>1</b>	WHITE
<b>3</b>	RED
<b>R</b>	RED, ILLUMINATED
<b>A</b>	AMBER, ILLUMINATED
<b>G</b>	GREEN, ILLUMINATED

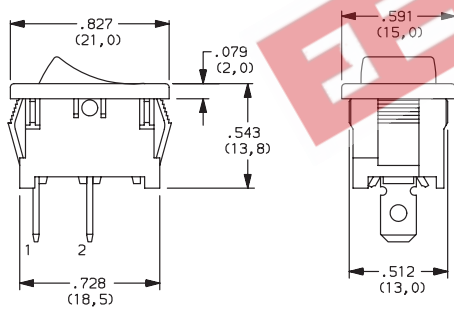
OPTION CODE	ACTUATOR COLOR	
	TOP	BOTTOM
<b>1</b>	WHITE	RED
<b>2</b>	WHITE	BLACK
<b>3</b>	RED	WHITE
<b>4</b>	BLACK	WHITE
<b>5</b>	BLACK	RED

J2 actuator only

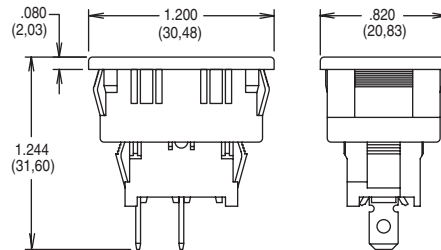
## MOUNTING STYLE/COLOR

### S2 (STD.) SNAP-IN, BLACK

### S1 SNAP-IN, WHITE

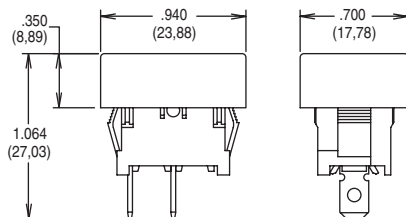


### B2 RECESSED SNAP-IN BRACKET, BLACK



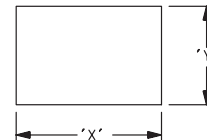
**NOTE:** Available with DA10X switch functions only.

### G2 GUARD, BLACK



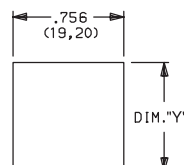
**NOTE:** Available with DA10X switch functions only.

### S2, S1 & G2 PANEL MOUNTING



PANEL THICKNESS	"X"	"Y"
0.030-0.049 (0,75-1,25)	0.756-.004 (19,2-0,1)	0.512+.004 (13,0+0,1)
0.049-0.079 (1,25-2,0)	0.764-.004 (19,4-0,1)	0.512+.004 (13,0+0,1)
0.079-0.118 (2,0-3,0)	0.779-.004 (19,8-0,1)	0.512+.004 (13,0+0,1)

### B2 PANEL MOUNTING



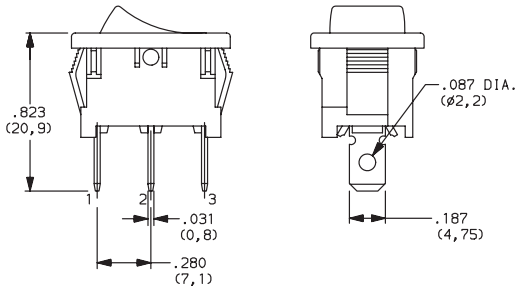
PANEL THICKNESS	"Y"
0.030-0.049 (0,75-0,25)	1.068 (27,13)
0.049-0.079 (1,25-2,0)	1.076 (27,33)
0.079-0.118 (2,0-3,0)	1.092 (27,74)

# C&K DA Series Miniature Single Pole Rocker Switches

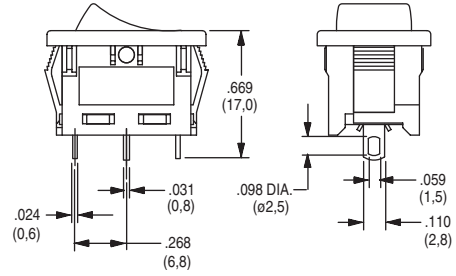
## TERMINATION



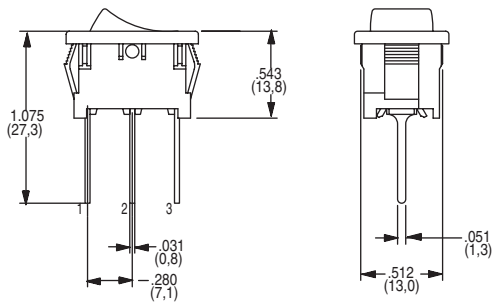
### 15 (STD.) .187\"/>



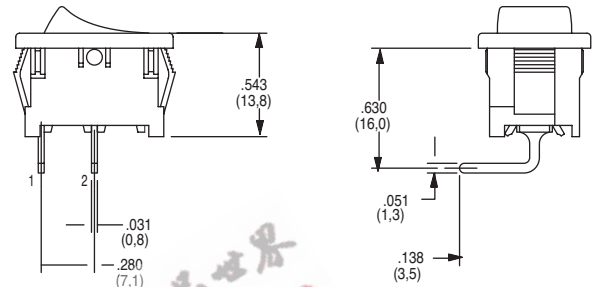
### 17 SOLDER LUG



### 02 THRU-HOLE



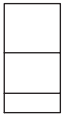
### A RIGHT ANGLE



## ACTUATOR MARKING



### NONE (STD.) NO MARKING



### D ON-OFF



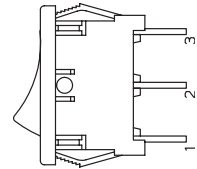
### H O I



### N LARGE DOT



### P O -



NOTE: Orientation of actuator marking and terminals.

## CONTACT MATERIAL



OPTION CODE	CONTACT AND TERMINAL MATERIAL	RATINGS	
<b>QF</b> (STD.)	SILVER	POWER	16 AMPS @ 125 VAC; 1/3 HP; 10 AMPS @ 250 VAC; 1/2 HP, (UL/CSA). 10 AMPS @ 125 VAC, 6 AMPS @ 250 VAC (VDE)

## LAMP RATING



### (NONE) (STD.) NO LAMP

**7** 125 VAC 33kΩ NEON

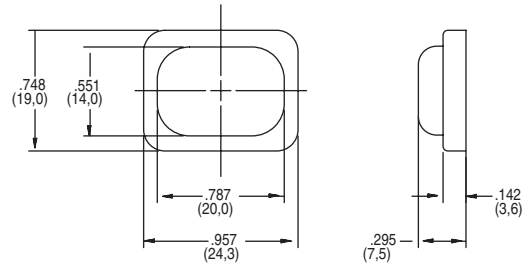
**6** LED RATING @ 10 mA  $V_F=1.85V$

**8** 250 VAC 150kΩ NEON

# C&K DA Series Miniature Single Pole Rocker Switches

## ACCESSORIES

**216C00000** IP65 SPLASH PROOF RUBBER BOOT



EEPW 电子产品世界  
.com.cn