

FEATURES

- Double Side Cooling
- High Surge Capability
- Low Inductance Internal Construction

APPLICATIONS

- High Power Converters
- DC Motor Control
- High Voltage Power Supplies

VOLTAGE RATINGS

Part and Ordering Number	Repetitive Peak Voltages V_{DRM} and V_{DRM} V	Conditions
DCR1660Y65	6500	$T_{vj} = 0^\circ \text{ to } 125^\circ \text{C}$, $I_{DRM} = I_{RRM} = 150\text{mA}$, $V_{DRM}, V_{RRM}, t_p = 10\text{ms}$, $V_{DSM} \text{ \& \ } V_{RSM} =$ $V_{DRM} \text{ \& \ } V_{RRM} + 100\text{V}$ respectively
DCR1660Y64	6400	
DCR1660Y63	6300	
DCR1660Y62	6200	
DCR1660Y61	6100	
DCR1660Y60	6000	

Lower voltage grades available.

KEY PARAMETERS

V_{DRM}		6500V
$I_{T(AV)}$		1665A
I_{TSM}	(max)	28000A
dV/dt		1000V/ μs
dI/dt		300A/ μs

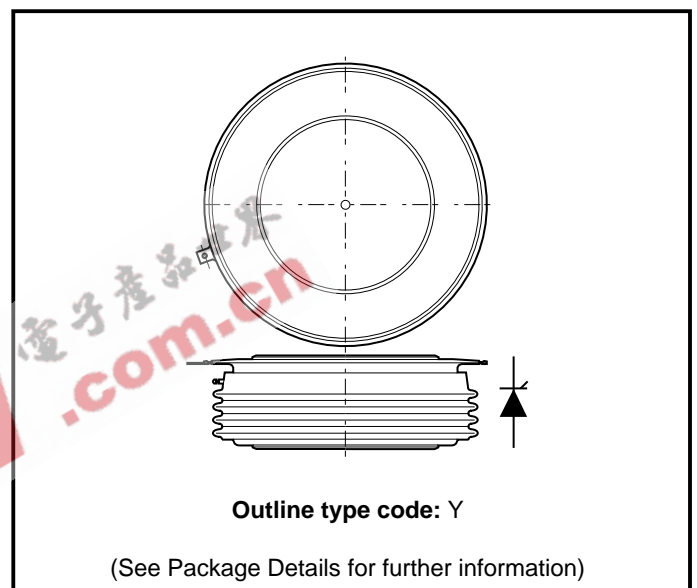


Fig. 1 Package outline

ORDERING INFORMATION

When ordering, select the required part number shown in the Voltage Ratings selection table.

For example:

DCR1660Y63

Note: Please use the complete part number when ordering and quote this number in any future correspondence relating to your order.

CURRENT RATINGS

$T_{case} = 60^{\circ}\text{C}$ unless stated otherwise.

Symbol	Parameter	Test Conditions	Max.	Units
Double Side Cooled				
$I_{T(AV)}$	Mean on-state current	Half wave resistive load	1665	A
$I_{T(RMS)}$	RMS value	-	2600	A
I_T	Continuous (direct) on-state current	-	2478	A
Single Side Cooled				
$I_{T(AV)}$	Mean on-state current	Half wave resistive load	1112	A
$I_{T(RMS)}$	RMS value	-	1746	A
I_T	Continuous (direct) on-state current	-	1556	A

$T_{case} = 80^{\circ}\text{C}$ unless stated otherwise.

Symbol	Parameter	Test Conditions	Max.	Units
Double Side Cooled				
$I_{T(AV)}$	Mean on-state current	Half wave resistive load	1323	A
$I_{T(RMS)}$	RMS value	-	2077	A
I_T	Continuous (direct) on-state current	-	1944	A
Single Side Cooled				
$I_{T(AV)}$	Mean on-state current	Half wave resistive load	876	A
$I_{T(RMS)}$	RMS value	-	1376	A
I_T	Continuous (direct) on-state current	-	1196	A

SURGE RATINGS

Symbol	Parameter	Test Conditions	Max.	Units
I_{TSM}	Surge (non-repetitive) on-state current	10ms half sine, $T_{case} = 125^{\circ}C$	22.0	kA
I^2t	I^2t for fusing	$V_R = 50\% V_{RRM} - 1/4$ sine	2.4×10^6	A ² s
I_{TSM}	Surge (non-repetitive) on-state current	10ms half sine, $T_{case} = 125^{\circ}C$	28.0	kA
I^2t	I^2t for fusing	$V_R = 0$	3.92×10^6	A ² s

DYNAMIC CHARACTERISTICS

Symbol	Parameter	Test Conditions	Min.	Max.	Units
I_{RRM}/I_{RRM}	Peak reverse and off-state current	At $V_{RRM}/V_{DRM}, T_{case} = 125^{\circ}C$	-	300	mA
dV/dt	Max. linear rate of rise of off-state voltage	To 67% $V_{DRM}, T_j = 125^{\circ}C$	-	1000	V/ μ s
dI/dt	Rate of rise of on-state current	From 67% V_{DRM} Repetitive 50Hz	-	150	A/ μ s
		Gate source 30V, 15 Ω , Non-repetitive $t_r \leq 0.5\mu$ s, $T_j = 125^{\circ}C$	-	300	A/ μ s
$V_{T(TO)}$	Threshold voltage	At $T_{vj} = 125^{\circ}C$	-	1.2	V
r_T	On-state slope resistance	At $T_{vj} = 125^{\circ}C$	-	0.61	m Ω
t_{gd}	Delay time	$V_D = 67\% V_{DRM}$, gate source 30V, 15 Ω $t_r = 0.5\mu$ s, $T_j = 25^{\circ}C$	0.5	1.5	μ s
t_q	Turn-off time	$I_T = 1000A, t_p = 1ms, T_j = 125^{\circ}C,$ $V_R = 100V, dI_{RR}/dt = 10A/\mu$ s, $V_{DR} = 67\% V_{DRM}$ $dV_{DR}/dt = 25V/\mu$ s linear	1500	-	μ s
I_L	Latching current	$T_j = 25^{\circ}C, V_D = 10V$	-	600	mA
I_H	Holding current	$T_j = 25^{\circ}C, V_{G-K} = \infty$	-	200	mA

THERMAL AND MECHANICAL RATINGS

Symbol	Parameter	Test Conditions		Min.	Max.	Units
$R_{th(j-c)}$	Thermal resistance - junction to case	Double side cooled	DC	-	0.0095	°CW
		Single side cooled	Anode DC	-	0.019	°CW
			Cathode DC	-	0.019	°CW
$R_{th(c-h)}$	Thermal resistance - case to heatsink	Clamping force 50kN	Double side	-	0.002	°CW
		(with mounting compound)	Single side	-	0.004	°CW
T_{vj}	Virtual junction temperature	On-state (conducting)		-	135	°C
		Reverse (blocking)		-	125	°C
T_{stg}	Storage temperature range			-55	125	°C
F_m	Clamping force			45.0	55.0	kN

GATE TRIGGER CHARACTERISTICS AND RATINGS

Symbol	Parameter	Test Conditions	Max.	Units
V_{GT}	Gate trigger voltage	$V_{DRM} = 5V, T_{case} = 25^{\circ}C$	3.0	V
I_{GT}	Gate trigger current	$V_{DRM} = 5V, T_{case} = 25^{\circ}C$	300	mA
V_{GD}	Gate non-trigger voltage	At $V_{DRM}, T_{case} = 125^{\circ}C$	0.25	V
V_{FGM}	Peak forward gate voltage	Anode positive with respect to cathode	30	V
V_{FGN}	Peak forward gate voltage	Anode negative with respect to cathode	0.25	V
V_{RGM}	Peak reverse gate voltage	-	5	V
I_{FGM}	Peak forward gate current	Anode positive with respect to cathode	10	A
P_{GM}	Peak gate power	See table fig. 4	150	W
$P_{G(AV)}$	Mean gate power	-	5	W

CURVES

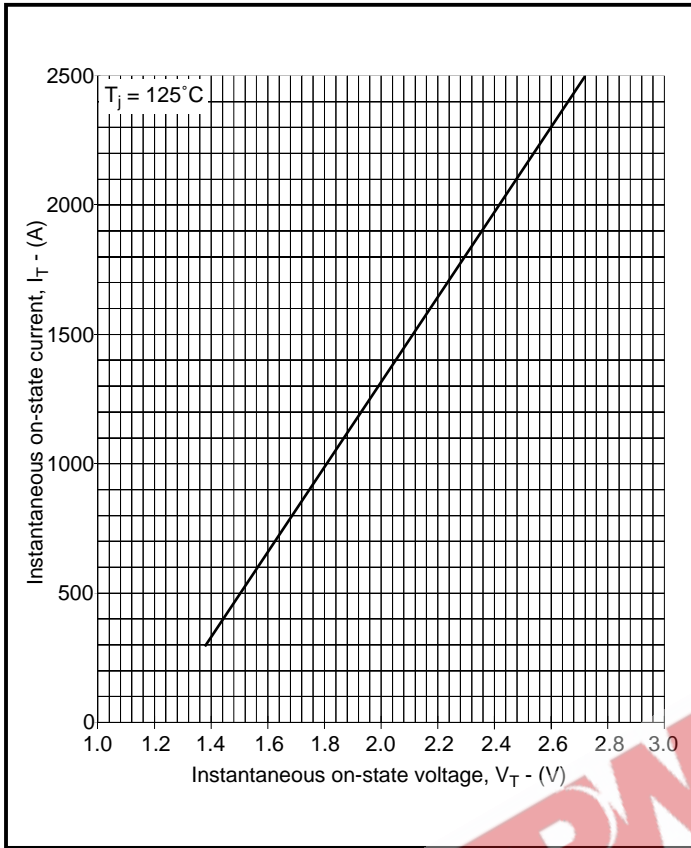


Fig.2 Maximum (limit) on-state characteristics

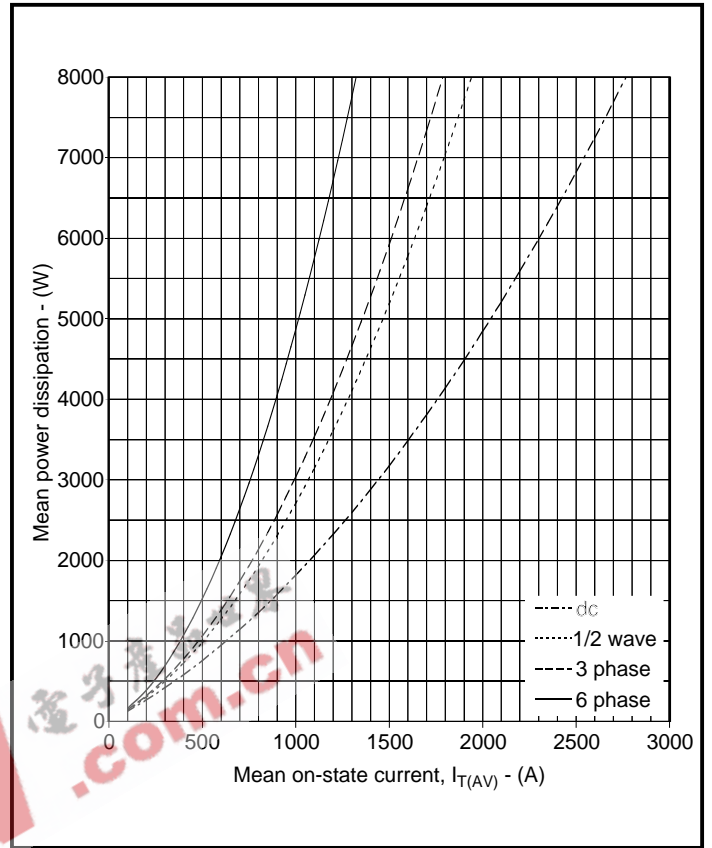


Fig.3 Power dissipation

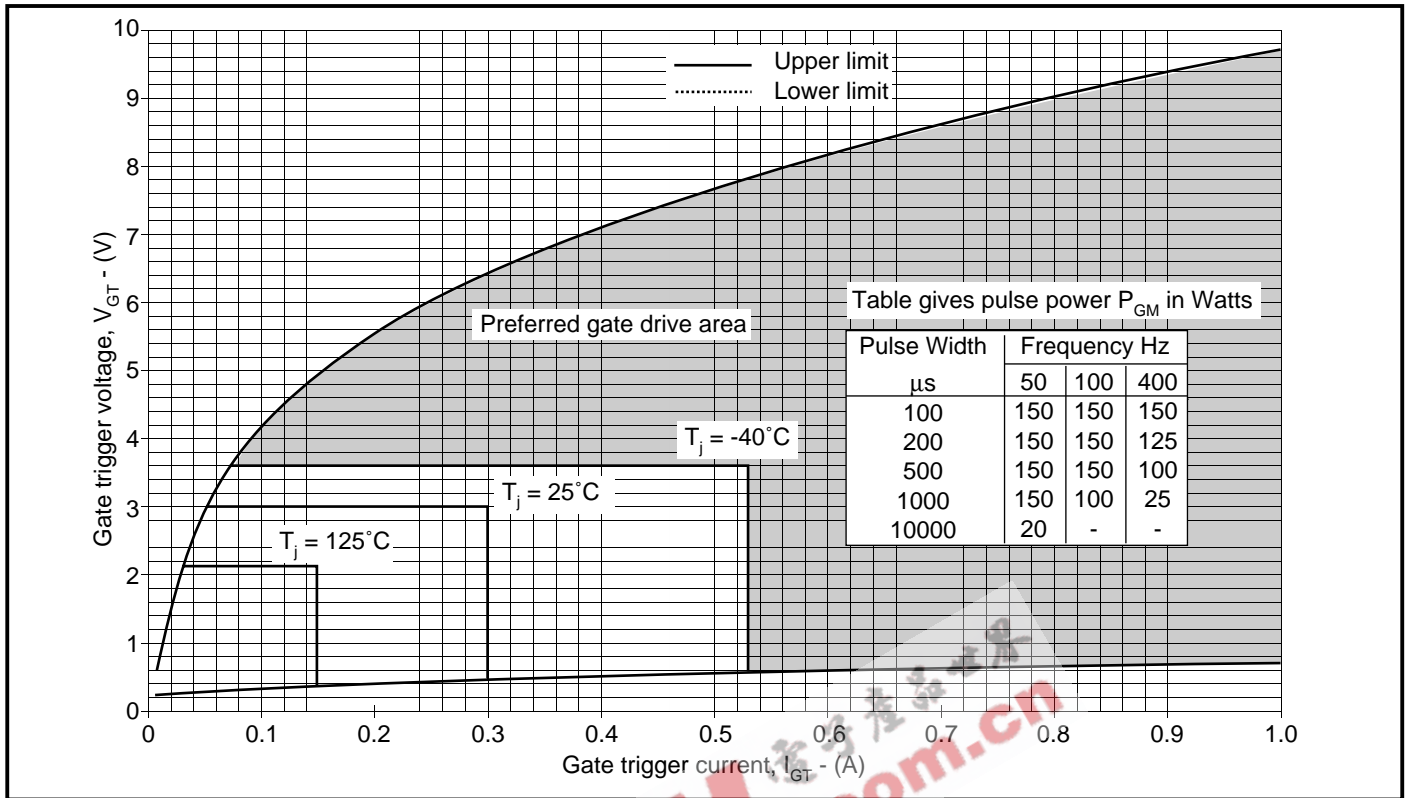


Fig.4 Gate characteristics

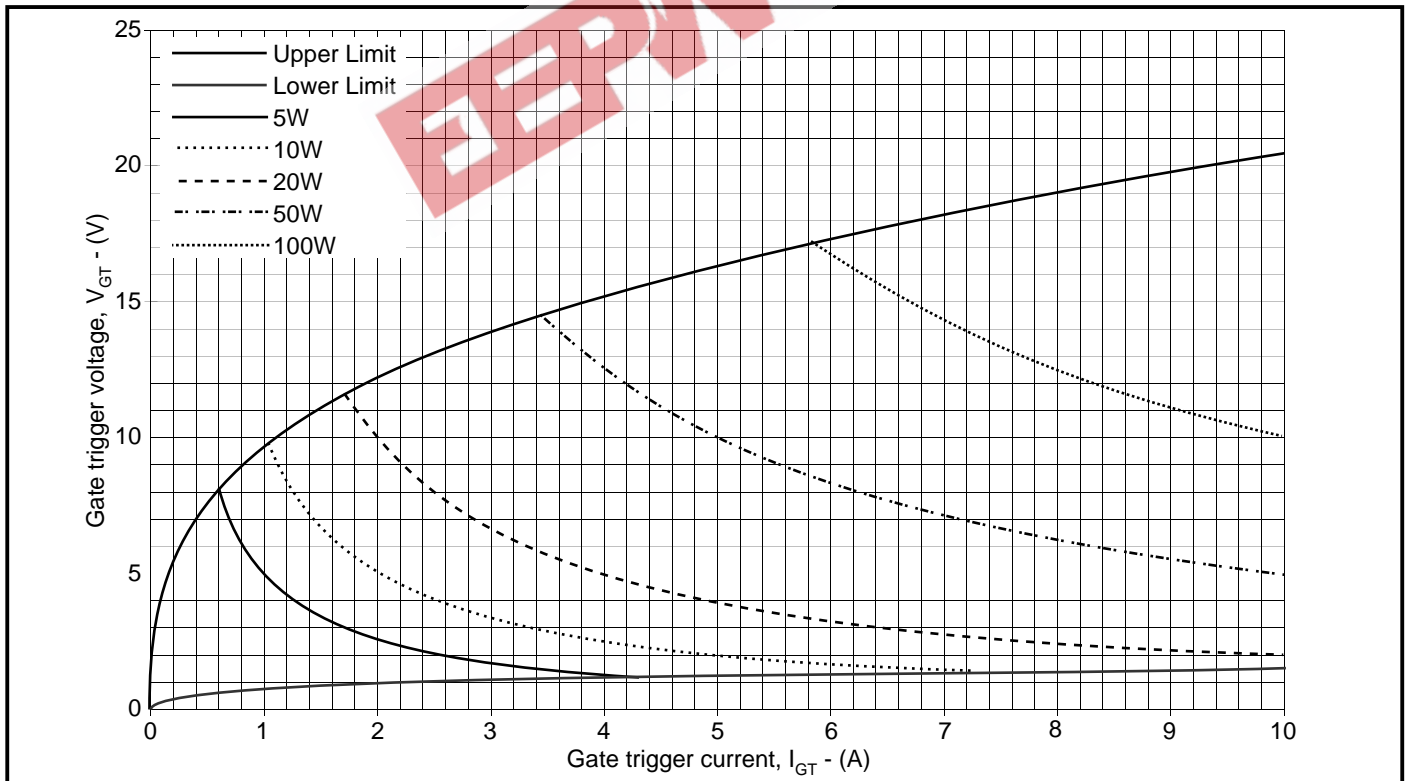


Fig.5 Gate characteristics

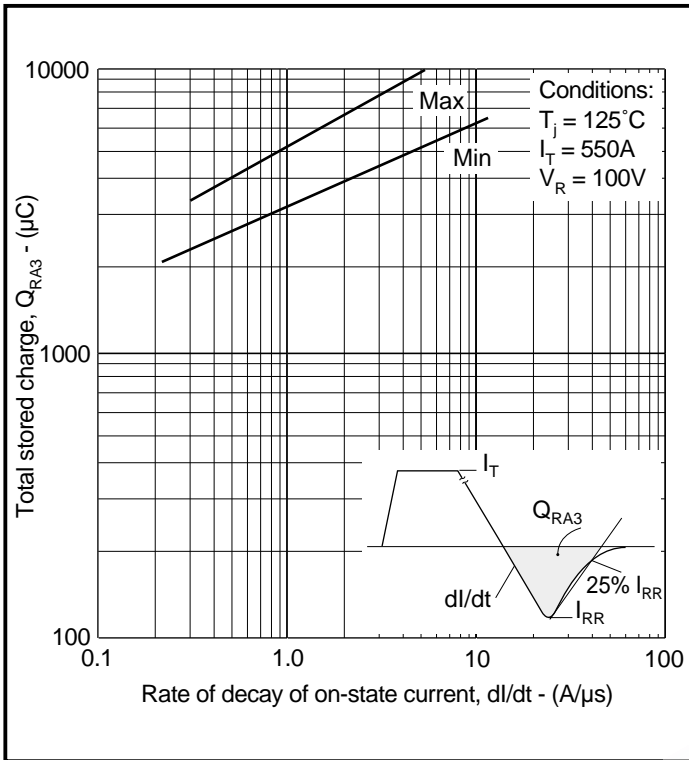


Fig.6 Stored charge

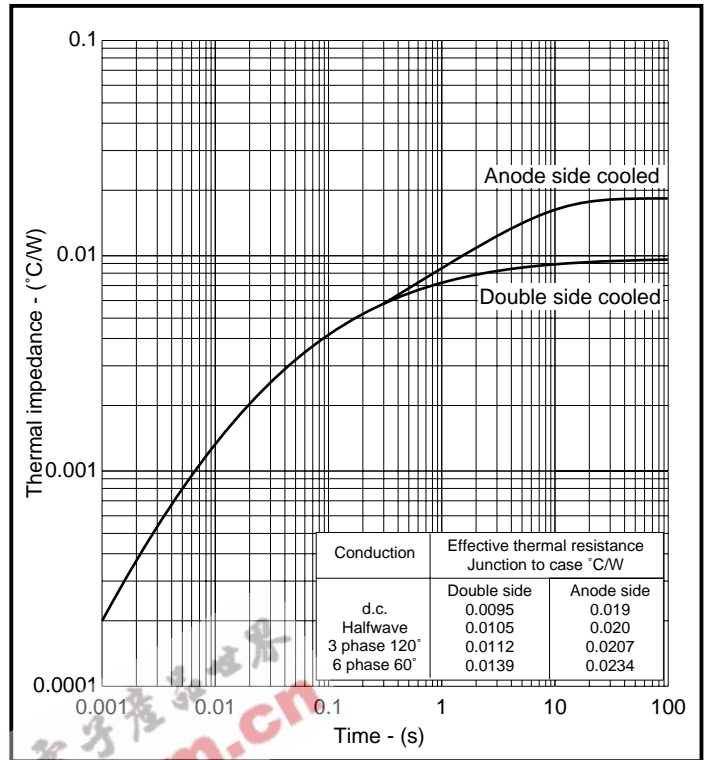


Fig.7 Maximum (limit) transient thermal impedance - junction to case (°C/W)

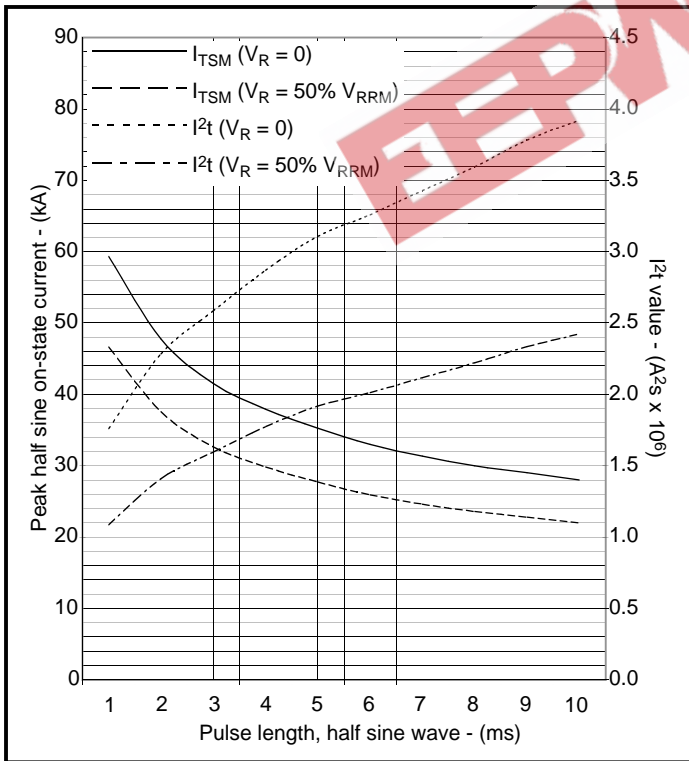


Fig.8 Sub-cycle surge currents

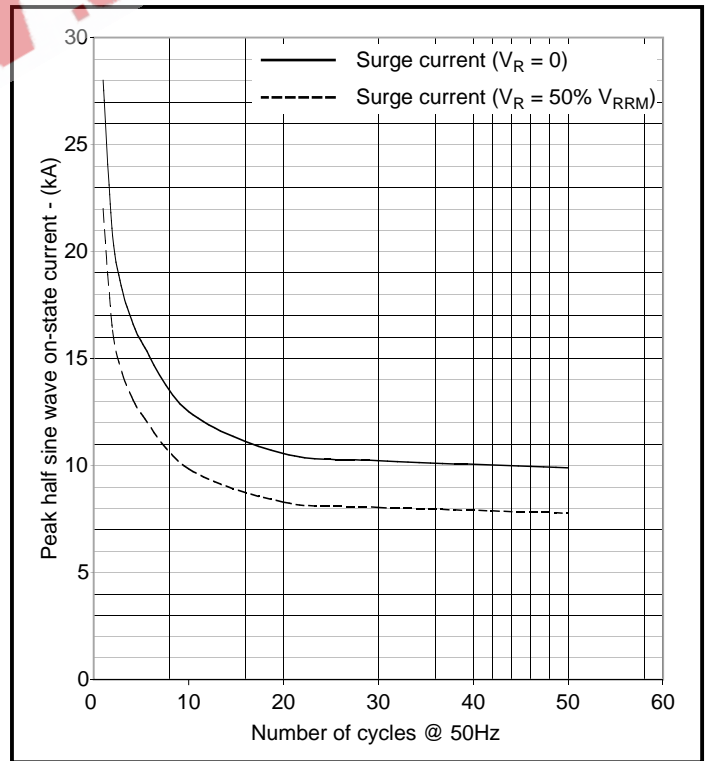
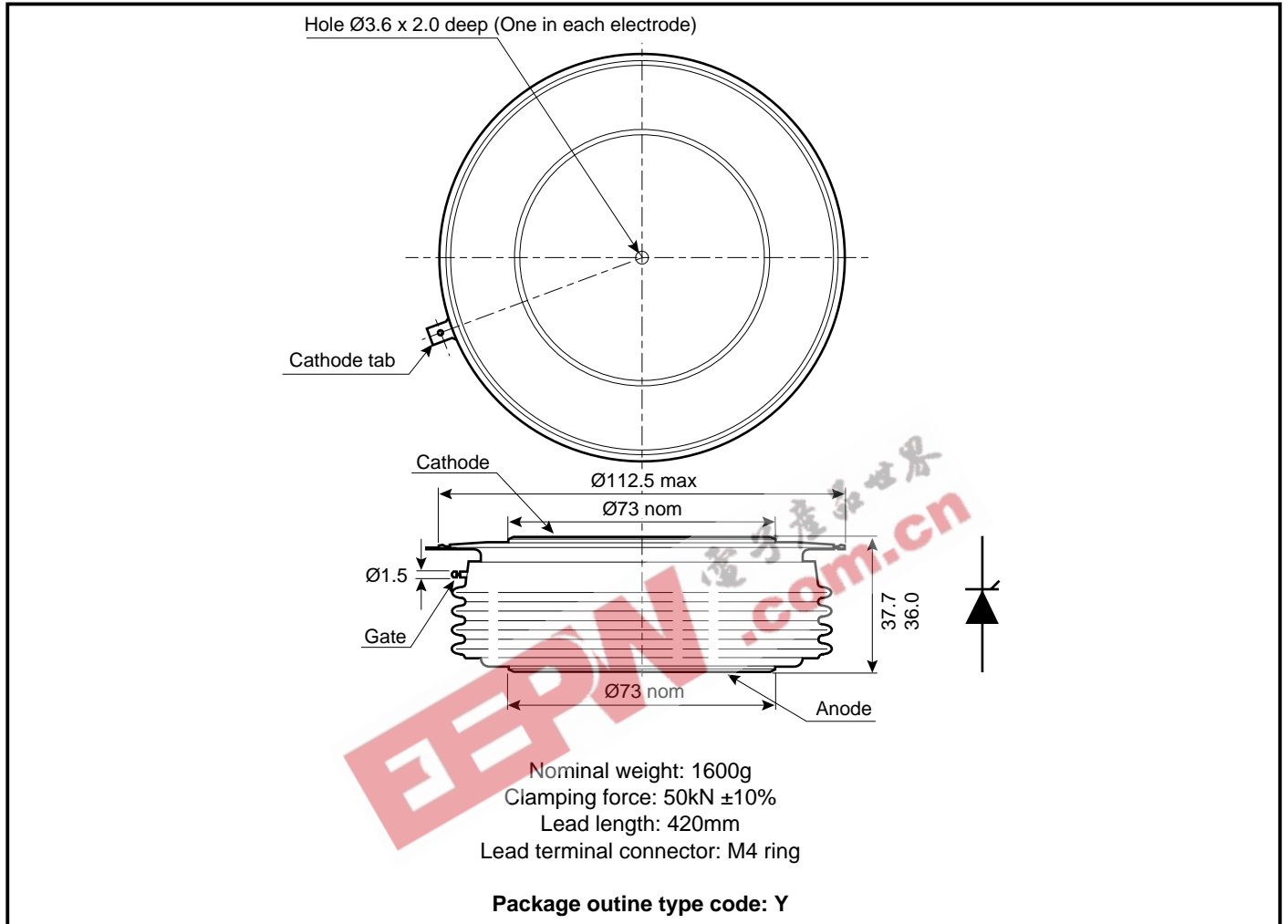


Fig.9 Multi-cycle surge currents

PACKAGE DETAILS

For further package information, please visit our website or contact your nearest Customer Service Centre. All dimensions in mm, unless stated otherwise. DO NOT SCALE.



POWER ASSEMBLY CAPABILITY

The Power Assembly group was set up to provide a support service for those customers requiring more than the basic semiconductor, and has developed a flexible range of heatsink and clamping systems in line with advances in device voltages and current capability of our semiconductors.

We offer an extensive range of air and liquid cooled assemblies covering the full range of circuit designs in general use today. The Assembly group continues to offer high quality engineering support dedicated to designing new units to satisfy the growing needs of our customers.

Using the latest CAD methods our team of design and applications engineers aim to provide the Power Assembly Complete Solution (PACs).

DEVICE CLAMPS

Disc devices require the correct clamping force to ensure their safe operation. The PACS range includes a varied selection of pre-loaded clamps to suit all of our manufactured devices. Types available include cube clamps for single side cooling of 'T' 23mm and 'E' 30mm discs, and bar clamps right up to 83kN for our 'Z' 100mm thyristors and diodes.

Clamps are available for single or double side cooling, with high insulation versions for high voltage assemblies.

Please refer to our application note on device clamping, AN4839

HEATSINKS

The Power Assembly group has its own proprietary range of extruded aluminium heatsinks. They have been designed to optimise the performance of Dynex semiconductors. Data with respect to air natural, forced air and liquid cooling (with flow rates) is available on request.

For further information on device clamps, heatsinks and assemblies, please contact your nearest sales representative or customer service office.



<http://www.dynexsemi.com>

e-mail: power_solutions@dynexsemi.com

HEADQUARTERS OPERATIONS
DYNEX SEMICONDUCTOR LTD
Doddington Road, Lincoln.
Lincolnshire. LN6 3LF. United Kingdom.
Tel: 00-44-(0)1522-500500
Fax: 00-44-(0)1522-500550

CUSTOMER SERVICES
Tel: +44 (0)1522 502753/502901. Fax: +44 (0)1522 500020

SALES OFFICES
North America Tel: (613) 723-7035. Fax: (613) 723-1518. Toll Free: 1.888.33.DYNEX (39639) /
Tel: (949) 733-3005. Fax: (949) 733-2986.
Rest Of World Tel: +44 (0)1522 502753/502901. Fax: +44 (0)1522 500020

These offices are supported by Representatives and Distributors in many countries world-wide.
© Dynex Semiconductor 2002 Publication No. DS5499-1 Issue No. 1.2 February 2002
TECHNICAL DOCUMENTATION – NOT FOR RESALE. PRODUCED IN UNITED KINGDOM

Datasheet Annotations:

Dynex Semiconductor annotate datasheets in the top right hand corner of the front page, to indicate product status. The annotations are as follows:-

Target Information: This is the most tentative form of information and represents a very preliminary specification. No actual design work on the product has been started.

Preliminary Information: The product is in design and development. The datasheet represents the product as it is understood but details may change.

Advance Information: The product design is complete and final characterisation for volume production is well in hand.

No Annotation: The product parameters are fixed and the product is available to datasheet specification.

This publication is issued to provide information only which (unless agreed by the Company in writing) may not be used, applied or reproduced for any purpose nor form part of any order or contract nor to be regarded as a representation relating to the products or services concerned. No warranty or guarantee express or implied is made regarding the capability, performance or suitability of any product or service. The Company reserves the right to alter without prior notice the specification, design or price of any product or service. Information concerning possible methods of use is provided as a guide only and does not constitute any guarantee that such methods of use will be satisfactory in a specific piece of equipment. It is the user's responsibility to fully determine the performance and suitability of any equipment using such information and to ensure that any publication or data used is up to date and has not been superseded. These products are not suitable for use in any medical products whose failure to perform may result in significant injury or death to the user. All products and materials are sold and services provided subject to the Company's conditions of sale, which are available on request.

All brand names and product names used in this publication are trademarks, registered trademarks or trade names of their respective owners.