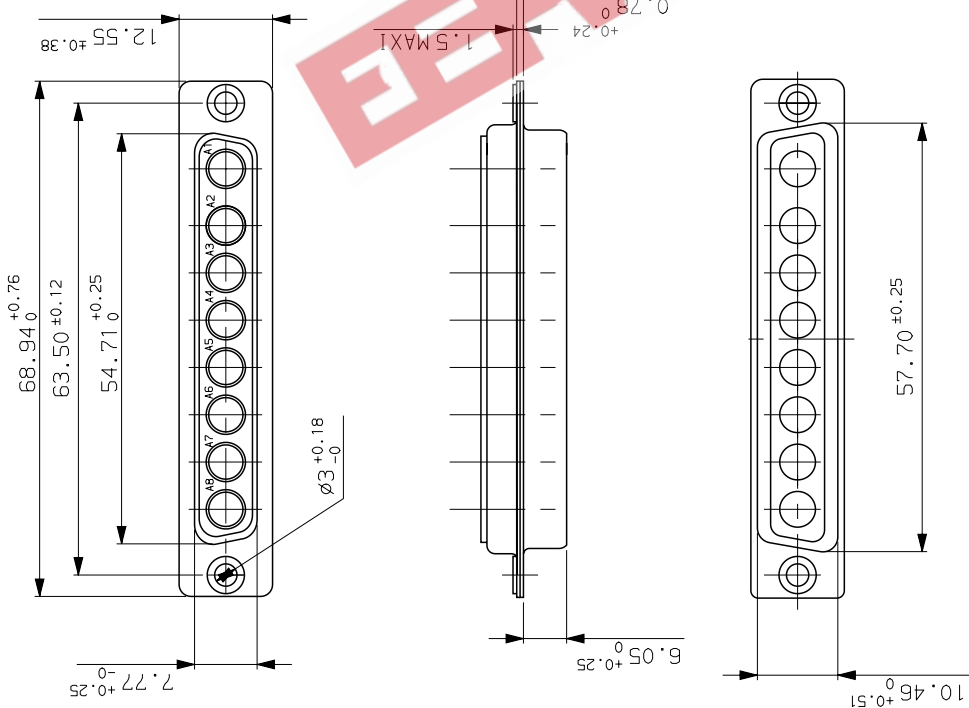


GENERAL CHARACTERISTICS : SEE DRAWING C01-8639-0001



Core range
DC8WBSA00
PART NUMBER

ISS DATE	03/11/03	update
Latest modification by :	BART.S	MOD N°
Designed by:	JARRY	date: 02/05/96
Type of drawing: CLIENT		
TITLE : SOCKET CONNECTOR FOR POWERS CONTACTS .		
SHEET 1/1		
 FRAMATOME CONNECTORS FRANCE Rue Louis Breguet - Bp 05 72024 LE MANS Cedex Tel. 33 (16) 43.84.08.43		This document is the property of FRAMATOME CONNECTORS FRANCE It must not be reproduced or communicated without permission in writing from the owners
FORMAT	A3	SOURIAU DRG N°
PROJECT		M94D001
C01-8639-0612-1		