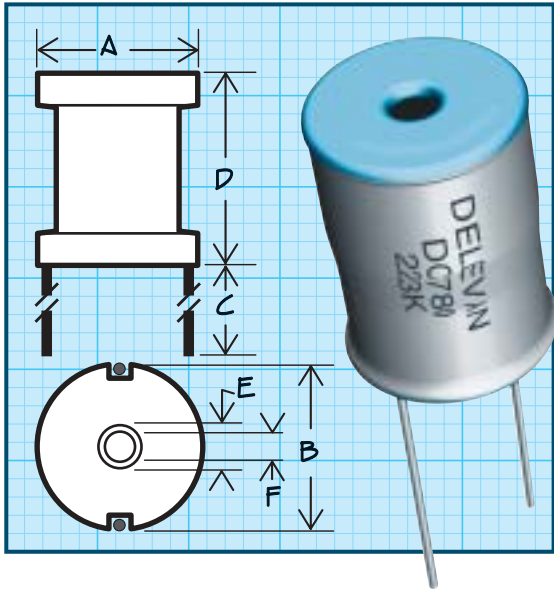


Series DC780

High Current Power Line Chokes



Physical Parameters

| | Inches | Millimeters |
|----------------|-------------------------------|-------------|
| A | 0.775 ± 0.025 | 19.6 ± 0.6 |
| B (C/L to C/L) | See Characteristics table | |
| C | 0.750 Min. | 19.05 Min. |
| D | 0.815 ± 0.015 | 20.7 ± 4 |
| E (Ref. only) | 0.195 Max. | 4.95 Max. |
| F | Clearance Hole for 4/40 Screw | |

Leads Tinned to within 1/16" of Body

Inductance Measured @ 1 KHz with 0 Amps dc

Mechanical Configuration Ferrite Bobbin protected with a flame retardant polyolefin sleeve; center hole allows for mechanical mounting; insulated bobbins.

Operating Temperature

-55°C to +125°C;

-55°C to +80°C @ full rated current

Current Rating at 80°C Ambient 45°C Rise

Incremental Current Minimum current which causes a 5% max. change in Inductance

Power Dissipation at 80°C 1.400 Watts Max.

Dielectric Withstanding Voltage 1000 V RMS Min.

Marking Parts printed with DELEVAN and API Part Number

Packaging Bulk only

| PART NUMBER | NOMINAL INDUCTANCE (µH) | TOLERANCE | DC RESISTANCE MAX. (OHMS) @ 25°C | CURRENT RATING MAXIMUM (A DC) | INCREMENTAL CURRENT (A DC) | DIMENSION B (Approx. Inches) | LEAD DIAMETER (Inches) |
|---------------|-------------------------|-----------|----------------------------------|-------------------------------|----------------------------|------------------------------|------------------------|
| SERIES DC 780 | | | | | | | |
| DC780-102L | 1.0 | ± 15% | 0.003 | 11.4 | 110.0 | 0.620 | 0.051 |
| DC780-122L | 1.2 | ± 15% | 0.003 | 11.4 | 108.0 | 0.620 | 0.051 |
| DC780-152L | 1.5 | ± 15% | 0.003 | 11.4 | 89.0 | 0.620 | 0.051 |
| DC780-182L | 1.8 | ± 15% | 0.003 | 11.4 | 81.0 | 0.620 | 0.051 |
| DC780-222L | 2.2 | ± 15% | 0.004 | 11.4 | 73.0 | 0.620 | 0.051 |
| DC780-272L | 2.7 | ± 15% | 0.005 | 11.4 | 66.0 | 0.620 | 0.051 |
| DC780-332L | 3.3 | ± 15% | 0.005 | 11.4 | 60.0 | 0.620 | 0.051 |
| DC780-392L | 3.9 | ± 15% | 0.005 | 11.4 | 55.0 | 0.620 | 0.051 |
| DC780-472L | 4.7 | ± 15% | 0.005 | 11.4 | 50.0 | 0.620 | 0.051 |
| DC780-562L | 5.6 | ± 15% | 0.006 | 11.4 | 46.0 | 0.620 | 0.051 |
| DC780-682L | 6.8 | ± 15% | 0.007 | 11.4 | 42.0 | 0.620 | 0.051 |
| DC780-822L | 8.2 | ± 15% | 0.007 | 11.4 | 38.0 | 0.620 | 0.051 |
| DC780-103K | 10.0 | ± 10% | 0.009 | 11.4 | 34.5 | 0.620 | 0.051 |
| DC780-123K | 12.0 | ± 10% | 0.009 | 11.4 | 31.5 | 0.620 | 0.051 |
| DC780-153K | 15.0 | ± 10% | 0.013 | 9.0 | 28.2 | 0.625 | 0.045 |
| DC780-183K | 18.0 | ± 10% | 0.018 | 7.2 | 25.7 | 0.630 | 0.045 |
| DC780-223K | 22.0 | ± 10% | 0.019 | 7.2 | 23.3 | 0.630 | 0.045 |
| DC780-273K | 27.0 | ± 10% | 0.026 | 5.5 | 21.0 | 0.546 | 0.040 |
| DC780-333K | 33.0 | ± 10% | 0.029 | 5.5 | 19.0 | 0.546 | 0.036 |
| DC780-393K | 39.0 | ± 10% | 0.030 | 5.5 | 17.5 | 0.594 | 0.036 |
| DC780-473K | 47.0 | ± 10% | 0.035 | 5.5 | 15.9 | 0.625 | 0.036 |
| DC780-563K | 56.0 | ± 10% | 0.039 | 5.5 | 14.6 | 0.625 | 0.036 |
| DC780-683K | 68.0 | ± 10% | 0.053 | 4.8 | 13.2 | 0.656 | 0.036 |
| DC780-823K | 82.0 | ± 10% | 0.060 | 4.8 | 12.1 | 0.656 | 0.036 |
| DC780-104K | 100 | ± 10% | 0.080 | 4.0 | 10.9 | 0.593 | 0.036 |
| DC780-124K | 120 | ± 10% | 0.090 | 4.0 | 10.0 | 0.593 | 0.036 |
| DC780-154K | 150 | ± 10% | 0.098 | 4.0 | 8.9 | 0.593 | 0.032 |
| DC780-184K | 180 | ± 10% | 0.110 | 4.0 | 8.1 | 0.593 | 0.032 |
| DC780-224K | 220 | ± 10% | 0.150 | 2.8 | 7.4 | 0.593 | 0.029 |
| DC780-274K | 270 | ± 10% | 0.213 | 2.0 | 6.6 | 0.562 | 0.025 |
| DC780-334K | 330 | ± 10% | 0.305 | 1.6 | 6.0 | 0.590 | 0.025 |
| DC780-394K | 390 | ± 10% | 0.320 | 1.6 | 5.5 | 0.590 | 0.025 |
| DC780-474K | 470 | ± 10% | 0.355 | 1.6 | 5.0 | 0.590 | 0.025 |
| DC780-564K | 560 | ± 10% | 0.388 | 1.6 | 4.6 | 0.590 | 0.023 |
| DC780-684K | 680 | ± 10% | 0.430 | 1.6 | 4.2 | 0.590 | 0.023 |
| DC780-824K | 820 | ± 10% | 0.590 | 1.3 | 3.8 | 0.590 | 0.023 |
| DC780-105K | 1,000 | ± 10% | 0.818 | 1.0 | 3.5 | 0.590 | 0.020 |
| DC780-125K | 1,200 | ± 10% | 1.140 | 0.8 | 3.2 | 0.590 | 0.018 |
| DC780-155K | 1,500 | ± 10% | 1.260 | 0.8 | 2.8 | 0.590 | 0.018 |
| DC780-185K | 1,800 | ± 10% | 1.390 | 0.8 | 2.6 | 0.590 | 0.018 |
| DC780-225K | 2,200 | ± 10% | 1.540 | 0.8 | 2.3 | 0.590 | 0.018 |