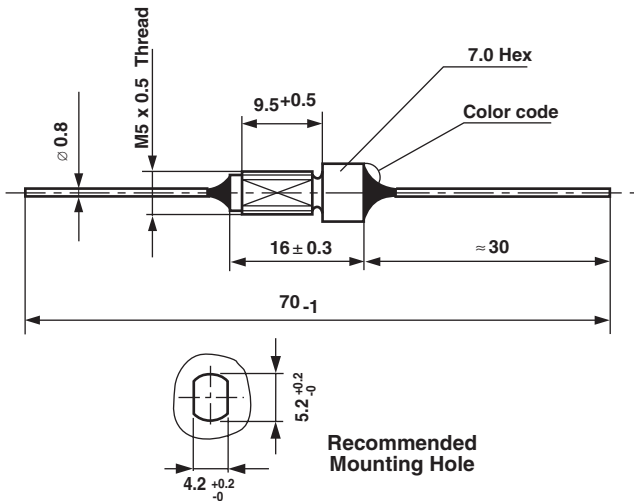


Ceramic Singlelayer Feed-Through Capacitors 400V_{DC}



* Dimensions in mm

PERMISSIBLE POWER LOSS:

150 mW

MARKING:

Capacitance value, Tolerance letter,

Ceramic dielectric color code

MOUNTING HARDWARE:

A threaded nut (7.0 HEX) is supplied in bulk

DESIGN:

Feed-through capacitor, bushing-mount type

RATED VOLTAGE U_R:

400 V_{DC} (280 V_{RMS})

DIELECTRIC STRENGTH BETWEEN LEADS:

1250 V_{DC} 1 s

DISSIPATION FACTOR tan δ:

Ceramic Class 1: see General Information

Ceramic Class 2: $\leq 25 \cdot 10^{-3}$

INSULATION RESISTANCE R_{is}:

Ceramic Class 1: $\geq 1 \cdot 10^{10} \Omega$

Ceramic Class 2: $\geq 5 \cdot 10^9 \Omega$

CATEGORY TEMPERATURE RANGE θA:

Ceramic Class 1: (-55 to +125) °C

Ceramic Class 2: (-25 to +85) °C

PERMISSIBLE REACTIVE POWER:

5.4 VAR (Class 2), 100 VAR (Class 1B,1F)

DIRECT CURRENT I_{DC}:

10 A

MAXIMUM PERMISSIBLE TORQUE:

0.6 Nm (clearance hole mounting)

0.4 Nm (threaded hole mounting)

CLASS	CERAMIC DIELECTRIC	CAPACITANCE VALUE (pF)	TOLERANCE
1B	P 100	47	± 10 %, ± 20 %
	N 470	68	
		75	
1F	N 750	100	
		150	
		200	
		220	
2	R 700	240	± 20 %, - 20 + 50 %
		330	
		470	
		680	
		1000	
	R 2000	1500	
	R 4000	3300	- 20 + 50%, - 20 + 80%
R 6000	4700		

• other capacitance values are available on request

ORDERING INFORMATION

DDML 0315	400V _{DC}	4700pF	- 20 + 80%	R 6000
-----------	--------------------	--------	------------	--------



Disclaimer

All product specifications and data are subject to change without notice.

Vishay Intertechnology, Inc., its affiliates, agents, and employees, and all persons acting on its or their behalf (collectively, "Vishay"), disclaim any and all liability for any errors, inaccuracies or incompleteness contained herein or in any other disclosure relating to any product.

Vishay disclaims any and all liability arising out of the use or application of any product described herein or of any information provided herein to the maximum extent permitted by law. The product specifications do not expand or otherwise modify Vishay's terms and conditions of purchase, including but not limited to the warranty expressed therein, which apply to these products.

No license, express or implied, by estoppel or otherwise, to any intellectual property rights is granted by this document or by any conduct of Vishay.

The products shown herein are not designed for use in medical, life-saving, or life-sustaining applications unless otherwise expressly indicated. Customers using or selling Vishay products not expressly indicated for use in such applications do so entirely at their own risk and agree to fully indemnify Vishay for any damages arising or resulting from such use or sale. Please contact authorized Vishay personnel to obtain written terms and conditions regarding products designed for such applications.

Product names and markings noted herein may be trademarks of their respective owners.