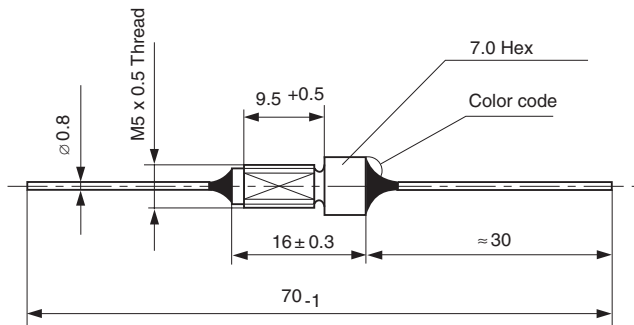
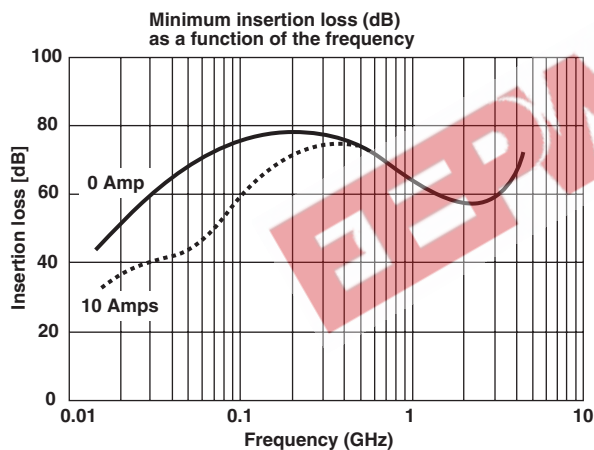


Ceramic Singlelayer Feed-Through Filters 200 V_{DC}



* Dimensions in mm



DESIGN:

π -type feed-through filter, bushing-mount type

RATED VOLTAGE U_R:

200 V_{DC} (up to + 85 °C)
100 V_{DC} (up to + 125 °C)

DIELECTRIC STRENGTH BETWEEN LEADS:

600 V_{DC} 1 s

DISSIPATION FACTOR tan δ :

$\leq 25 \cdot 10^{-3}$

INSULATION RESISTANCE R_{is}:

$\geq 1 \cdot 10^9 \Omega$

CATEGORY TEMPERATURE RANGE θ A:

(- 25 to + 85) °C

CLIMATIC TESTING CLASS ACC. TO EN 60068-1:

40 / 085 / 56

PERMISSIBLE REACTIVE POWER:

5.4 VAr

DIRECT CURRENT I_{DC} :

10 A

MARKING :

Capacitance value, Tolerance letter,

MAXIMUM PERMISSIBLE TORQUE

0.6 Nm (clearance hole mounting)
0.4 Nm (threaded hole mounting)

MOUNTING HARDWARE :

A threaded nut (0.250 HEX) & tooth washer are supplied in bulk

CLASS	CERAMIC DIELECTRIC	CAPACITANCE VALUE (pF)	TOLERANCE
2	R 6000	5000	- 20 + 80 %

ORDERING INFORMATION

DDMZ 0312	200 V _{DC}	5000 pF	- 20 + 80 %	R 6000
-----------	---------------------	---------	-------------	--------



Disclaimer

All product specifications and data are subject to change without notice.

Vishay Intertechnology, Inc., its affiliates, agents, and employees, and all persons acting on its or their behalf (collectively, "Vishay"), disclaim any and all liability for any errors, inaccuracies or incompleteness contained herein or in any other disclosure relating to any product.

Vishay disclaims any and all liability arising out of the use or application of any product described herein or of any information provided herein to the maximum extent permitted by law. The product specifications do not expand or otherwise modify Vishay's terms and conditions of purchase, including but not limited to the warranty expressed therein, which apply to these products.

No license, express or implied, by estoppel or otherwise, to any intellectual property rights is granted by this document or by any conduct of Vishay.

The products shown herein are not designed for use in medical, life-saving, or life-sustaining applications unless otherwise expressly indicated. Customers using or selling Vishay products not expressly indicated for use in such applications do so entirely at their own risk and agree to fully indemnify Vishay for any damages arising or resulting from such use or sale. Please contact authorized Vishay personnel to obtain written terms and conditions regarding products designed for such applications.

Product names and markings noted herein may be trademarks of their respective owners.