



SBVS011B – MAY 2001

Miniature, 2W Isolated UNREGULATED DC/DC CONVERTERS

FEATURES

- UP TO 89% EFFICIENCY
- THERMAL PROTECTION
- DEVICE-TO-DEVICE SYNCHRONIZATION
- SO-28 POWER DENSITY OF 106W/in³ (6.5W/cm³)
- EN55022 CLASS B EMC PERFORMANCE
- UL1950 RECOGNIZED
- JEDEC 14-PIN AND SO-28 PACKAGES

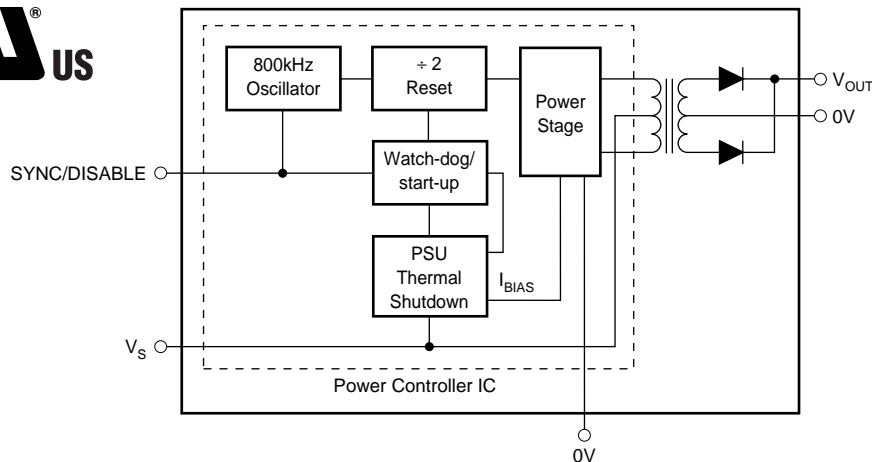
APPLICATIONS

- POINT-OF-USE POWER CONVERSION
- GROUND LOOP ELIMINATION
- DATA ACQUISITION
- INDUSTRIAL CONTROL AND INSTRUMENTATION
- TEST EQUIPMENT

DESCRIPTION

The DCP02 series is a family of 2W, unregulated, isolated DC/DC converters. Requiring a minimum of external components and including on-chip device protection, the DCP02 series provides extra features such as output disable and synchronization of switching frequencies.

The use of a highly integrated package design results in highly reliable products with power densities of 79W/in³ (4.8W/cm³) for DIP-14, and 106W/in³ (6.5W/cm³) for SO-28. This combination of features and small size makes the DCP02 suitable for a wide range of applications.



Please be aware that an important notice concerning availability, standard warranty, and use in critical applications of Texas Instruments semiconductor products and disclaimers thereto appears at the end of this data sheet.

ABSOLUTE MAXIMUM RATINGS

Input Voltage	
5V Input Models	7V
12V Input Models	15V
15V Input Models	18V
24V Input Models	29V
Storage Temperature	-60°C to +125°C
Lead Temperature (soldering, 10s)	270°C



ELECTROSTATIC DISCHARGE SENSITIVITY

This integrated circuit can be damaged by ESD. Texas Instruments recommends that all integrated circuits be handled with appropriate precautions. Failure to observe proper handling and installation procedures can cause damage.

ESD damage can range from subtle performance degradation to complete device failure. Precision integrated circuits may be more susceptible to damage because very small parametric changes could cause the device not to meet its published specifications.

ORDERING INFORMATION

Basic Model Number: 2W Product	DCP02	05	05	(D)	()
Voltage Input:					
5V In					
Voltage Output:					
5V Out					
Dual Output:					
Package Code:					
P = DIP-14					
U = SO-28					

PACKAGE/ORDERING INFORMATION

PRODUCT	PACKAGE	PACKAGE DRAWING NUMBER	SPECIFIED TEMPERATURE RANGE	PACKAGE MARKING	ORDERING NUMBER ⁽¹⁾	TRANSPORT MEDIA
Single						
DCP020503P	DIP-14	010-1	-40°C to +85°C	DCP020503P	DCP020503P	Rails
DCP020503U	SO-28	217-2	-40°C to +85°C	DCP020503U	DCP020503U/1K	Tape and Reel
DCP020505P	DIP-14	010-1	-40°C to +85°C	DCP020505P	DCP020505P	Rails
DCP020505U	SO-28	217-2	-40°C to +85°C	DCP020505U	DCP020505U/1K	Tape and Reel
DCP020507P	DIP-14	010-1	-40°C to +85°C	DCP020507P	DCP020507P	Rails
DCP020507U	SO-28	217-2	-40°C to +85°C	DCP020507U	DCP020507U/1K	Tape and Reel
DCP020509P	DIP-14	010-1	-40°C to +85°C	DCP020509P	DCP020509P	Rails
DCP020509U	SO-28	217-2	-40°C to +85°C	DCP020509U	DCP020509U/1K	Tape and Reel
DCP021205P	DIP-14	010-1	-40°C to +85°C	DCP021205P	DCP021205P	Rails
DCP021205U	SO-28	217-2	-40°C to +85°C	DCP021205U	DCP021205U/1K	Tape and Reel
DCP021212P	DIP-14	010-1	-40°C to +85°C	DCP021212P	DCP021212P	Rails
DCP021212U	SO-28	217-2	-40°C to +85°C	DCP021212U	DCP021212U/1K	Tape and Reel
DCP021515P	DIP-14	010-1	-40°C to +85°C	DCP021515P	DCP021515P	Rails
DCP021515U	SO-28	217-2	-40°C to +85°C	DCP021515U	DCP021515U/1K	Tape and Reel
DCP022405P	DIP-14	010-1	-40°C to +85°C	DCP022405P	DCP022405P	Rails
DCP022405U	SO-28	217-2	-40°C to +85°C	DCP022405U	DCP022405U/1K	Tape and Reel
Dual						
DCP020515DP	DIP-14	010-1	-40°C to +85°C	DCP020515DP	DCP020515DP	Rails
DCP020515DU	SO-28	217-2	-40°C to +85°C	DCP020515DU	DCP020515DU/1K	Tape and Reel
DCP021212DP	DIP-14	010-1	-40°C to +85°C	DCP021212DP	DCP021212DP	Rails
DCP021212DU	SO-28	217-2	-40°C to +85°C	DCP021212DU	DCP021212DU/1K	Tape and Reel
DCP022405DP	DIP-14	010-1	-40°C to +85°C	DCP022405DP	DCP022405DP	Rails
DCP022405DU	SO-28	217-2	-40°C to +85°C	DCP022405DU	DCP022405DU/1K	Tape and Reel
DCP022415DP	DIP-14	010-1	-40°C to +85°C	DCP022415DP	DCP022415DP	Rails
DCP022415DU	SO-28	217-2	-40°C to +85°C	DCP022415DU	DCP022415DU/1K	Tape and Reel

NOTES: (1) Models with a slash (/) are available only in Tape and Reel in the quantities indicated (e.g., /1K indicates 1000 devices per reel). Ordering 1000 pieces of "DCP020503U/1K" will get a single 1000-piece Tape and Reel.

ELECTRICAL CHARACTERISTICS

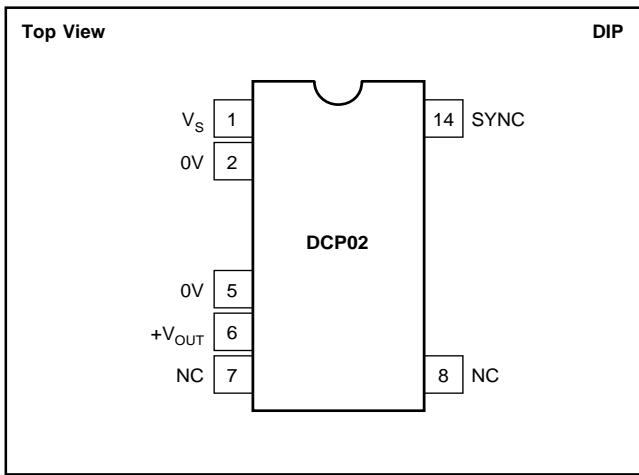
At $T_A = +25^\circ\text{C}$, unless otherwise specified.

PARAMETER	CONDITIONS	DCP02 SERIES			UNITS
		MIN	TYP	MAX	
OUTPUT Power Ripple	100% Full Load O/P Capacitor = $1\mu\text{F}$, 50% Load		2 20		W mVp-p
INPUT Voltage Range on V_S		-10		10	%
ISOLATION Voltage	1s Flash Test 60s Test, UL1950 ⁽¹⁾	1 1			kVrms kVrms
LINE Regulation			1		%/1% of V_S
SWITCHING/SYNCHRONIZATION Oscillator Frequency (f_{osc}) Sync Input Low Sync Input Current Disable Time Capacitance Loading on Sync Pin	Switching Frequency = $f_{\text{osc}}/2$ $V_{\text{SYNC}} = +2\text{V}$ External	0	800 75 2	0.4	kHz V μA μs pF
RELIABILITY Demonstrated	$T_A = +55^\circ\text{C}$	75			FITS
THERMAL SHUTDOWN IC Temperature at Shutdown Shutdown Current			150 3		$^\circ\text{C}$ mA
TEMPERATURE RANGE Operating		-40		+85	$^\circ\text{C}$

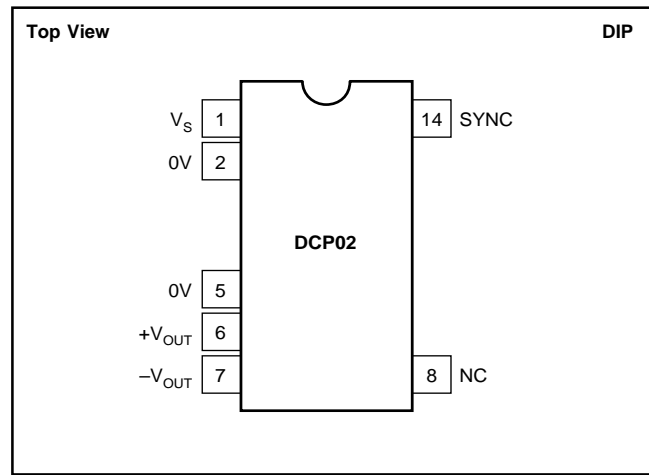
PRODUCT	INPUT VOLTAGE (V)			OUTPUT VOLTAGE (V)			LOAD REGULATION (%)		NO LOAD CURRENT (mA)	EFFICIENCY (%)	BARRIER CAPACITANCE (pF)
	V_S			V_{NOM}			10% TO 100% LOAD		I_O		C_{ISO}
				75% LOAD ⁽²⁾					0% LOAD	100% LOAD	$V_{\text{ISO}} = 750V_{\text{RMS}}$
	MIN	TYP	MAX	MIN	TYP	MAX	TYP	MAX	TYP	TYP	TYP
DCP020503P, U	4.5	5	5.5	3.13	3.3	3.46	19	30	18	74	26
DCP020505P, U	4.5	5	5.5	4.75	5	5.25	14	20	18	80	22
DCP020507P, U	4.5	5	5.5	6.65	7	7.35	14	25	20	81	30
DCP020509P, U	4.5	5	5.5	8.55	9	9.45	12	20	23	82	31
DCP020515DP, U	4.5	5	5.5	± 14.25	± 15	± 15.75	11	20	27	85	24
DCP021205P, U	10.8	12	13.2	4.75	5	5.25	7	15	14	83	33
DCP021212P, U	10.8	12	13.2	11.4	12	12.6	7	20	15	87	47
DCP021212DP, U	10.8	12	13.2	± 11.4	± 12	± 12.6	6	20	16	88	35
DCP021515P, U	13.5	15	16.5	14.25	15	15.75	6	20	15	88	42
DCP022405P	21.6	24	26.4	4.85	5	5.35	6	10	13	81	33
DCP022405U	21.6	24	26.4	4.75	5	5.25	10	15	13	81	33
DCP022405DP, U	21.6	24	26.4	± 4.75	± 5	± 5.25	6	15	12	80	22
DCP022415DP, U	21.6	24	26.4	± 14.25	± 15	± 15.75	6	25	16	79	44

NOTES: (1) During UL1950 recognition tests only. (2) 100% Load Current = $2W/V_{\text{NOM}}$ TYP.

PIN CONFIGURATION (Single-DIP)



PIN CONFIGURATION (Dual-DIP)



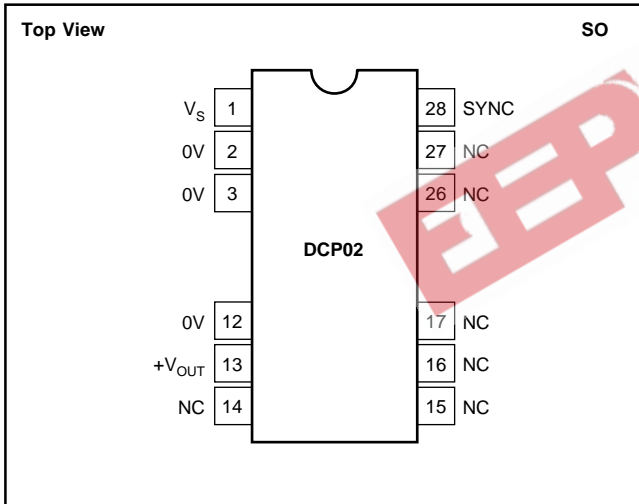
PIN DEFINITION (Single-DIP)

PIN #	PIN NAME	DESCRIPTION
1	V _S	Voltage Input
2	0V	Input Side Common
5	0V	Output Side Common
6	+V _{OUT}	+Voltage Out
7	NC	Not Connected
8	NC	Not Connected
14	SYNC	Synchronization Pin

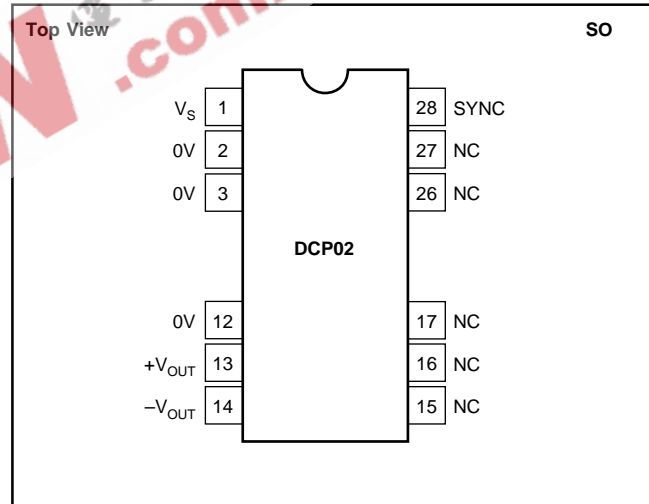
PIN DEFINITION (Dual-DIP)

PIN #	PIN NAME	DESCRIPTION
1	V _S	Voltage Input
2	0V	Input Side Common
5	0V	Output Side Common
6	+V _{OUT}	+Voltage Out
7	-V _{OUT}	-Voltage Out
8	NC	Not Connected
14	SYNC	Synchronization Pin

PIN CONFIGURATION (Single-SO)



PIN CONFIGURATION (Dual-SO)



PIN DEFINITION (Single-SO)

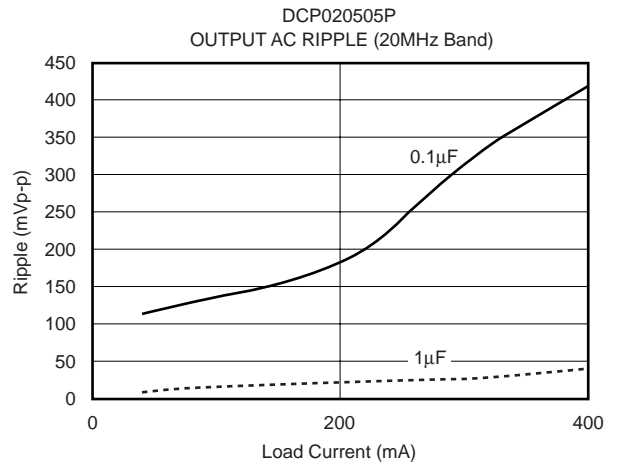
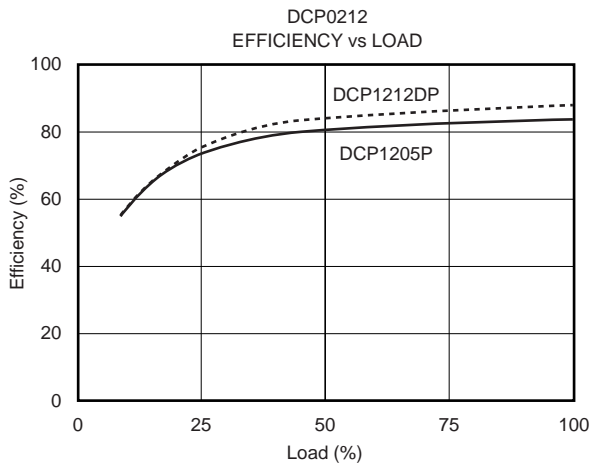
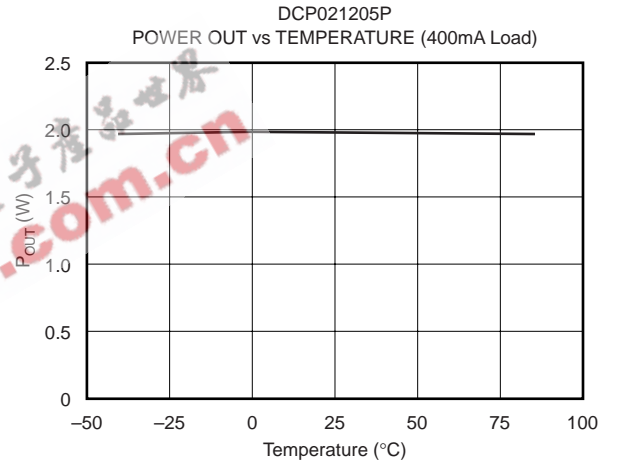
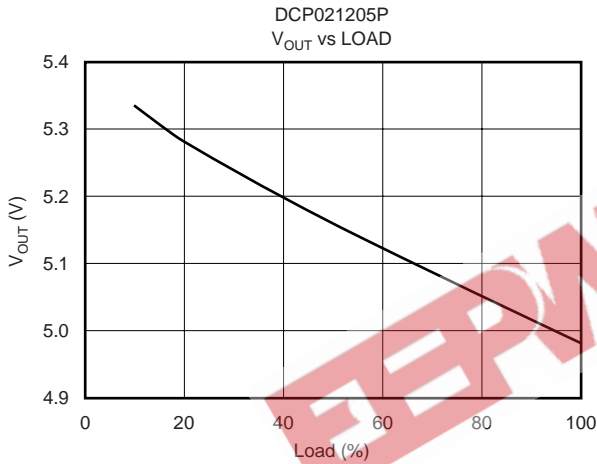
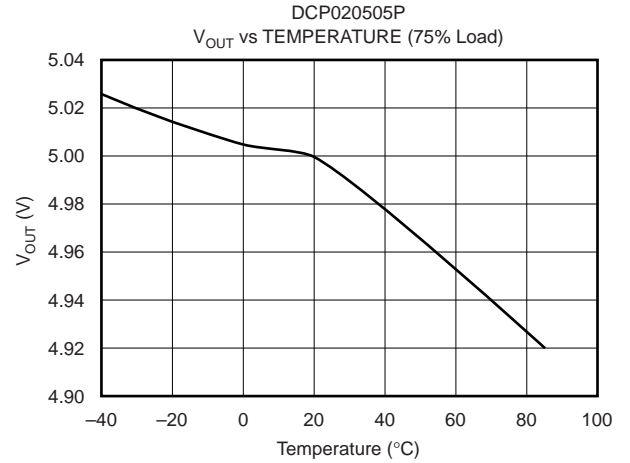
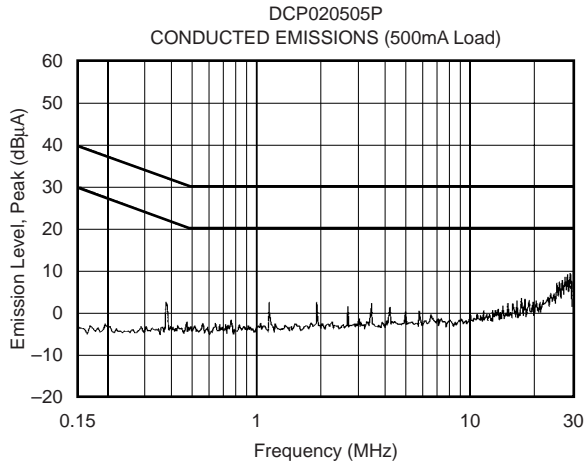
PIN #	PIN NAME	DESCRIPTION
1	V _S	Voltage Input
2	0V	Input Side Common
3	0V	Input Side Common
12	0V	Output Side Common
13	+V _{OUT}	+Voltage Out
14	NC	Not Connected
15	NC	Not Connected
16	NC	Not Connected
17	NC	Not Connected
26	NC	Not Connected
27	NC	Not Connected
28	SYNC	Synchronization Pin

PIN DEFINITION (Dual-SO)

PIN #	PIN NAME	DESCRIPTION
1	V _S	Voltage Input
2	0V	Input Side Common
3	0V	Input Side Common
12	0V	Output Side Common
13	+V _{OUT}	+Voltage Out
14	-V _{OUT}	-Voltage Out
15	NC	Not Connected
16	NC	Not Connected
17	NC	Not Connected
26	NC	Not Connected
27	NC	Not Connected
28	SYNC	Synchronization Pin

TYPICAL CHARACTERISTICS

At $T_A = +25^\circ\text{C}$, unless otherwise noted.



FUNCTIONAL DESCRIPTION

OVERVIEW

The DCP02 offers up to 2W of unregulated output power from a 5V, 12V, 15V, or 24V input source with a typical efficiency of up to 89%. This is achieved through highly integrated packaging technology and the implementation of a custom power stage and control IC. The circuit design utilizes an advanced BiCMOS/DMOS process.

POWER STAGE

This uses a push-pull, center-tapped topology switching at 400kHz (divide by 2 from 800kHz oscillator).

OSCILLATOR AND WATCHDOG

The onboard 800kHz oscillator generates the switching frequency via a divide by 2 circuit. The oscillator can be synchronized to other DCP02 circuits or an external source, and is used to minimize system noise.

A watchdog circuit checks the operation of the oscillator circuit. The oscillator can be stopped by pulling the SYNC pin LOW. The output pins will be tri-stated. This will occur in 2 μ s.

THERMAL SHUTDOWN

The DCP02 is protected by a thermal shutdown circuit. If the on-chip temperature exceeds 150°C, the device will shut down. Once the temperature falls below 150°C, normal operation will resume.

SYNCHRONIZATION

In the event that more than one DC/DC converter is needed onboard, beat frequencies and other electrical interference can be generated. This is due to the variation in switching frequencies between the DC/DC converters.

The DCP02 overcomes this by allowing devices to be synchronized to one another. Up to eight devices can be synchronized by connecting the SYNC pins together, taking care to minimize the capacitance of tracking. Significant stray capacitance (> 10pF) will have the effect of reducing the switching frequency, or even stopping the oscillator circuit. It is also recommended that power and ground lines are star connected.

If synchronized devices are used, it should be noted that, at start up, all devices will draw maximum current simultaneously. This can cause the input voltage to dip and should it dip below the minimum input voltage (4.5V), the devices may not start up. A 2.2 μ F capacitor should be connected close to the input pins.

If more than eight devices are to be synchronized, it is recommended that the SYNC pins are driven by an external device. Details are contained in a separate applications bulletin (AB-153).

CONSTRUCTION

The DCP02's basic construction is the same as standard ICs. There is no substrate within the molded package. The DCP02 is constructed using an IC, rectifier diodes, and a wound magnetic toroid on a leadframe. As there is no solder within the package, the DCP02 does not require any special PCB assembly processing. This results in an isolated DC/DC converter with inherently high reliability.

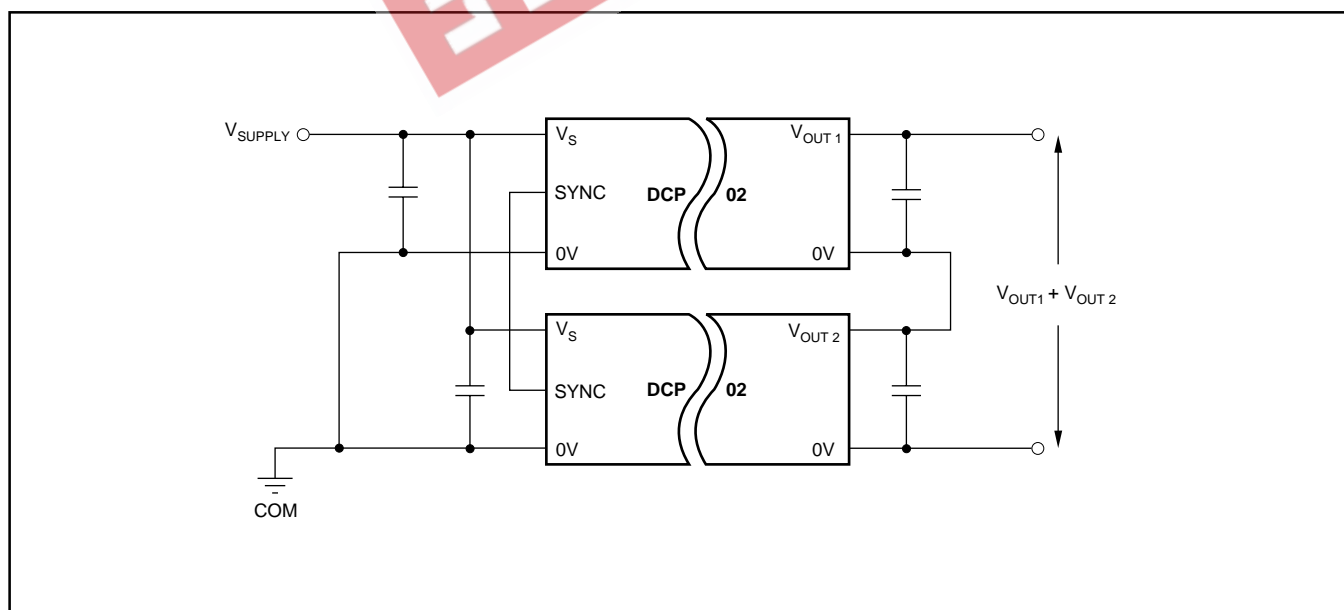


FIGURE 1. Connecting the DCP02 in Series.

ADDITIONAL FUNCTIONS

DISABLE/ENABLE

The DCP02 can be disabled or enabled by driving the SYNC pin using an open drain CMOS gate. If the SYNC pin is pulled low, the DCP02 will be disabled. The disable time depends upon the external loading; the internal disable function is implemented in 2 μ s. Removal of the pull down will cause the DCP02 to be enabled.

Capacitive loading on the SYNC pin should be minimized in order to prevent a reduction in the oscillator frequency.

DECOUPLING

Ripple Reduction

The high switching frequency of 400kHz allows simple filtering. To reduce ripple, it is recommended that a 1 μ F capacitor is used on V_{OUT}. Dual outputs should both be decoupled to pin 5. A 2.2 μ F capacitor on the input is recommended.

Connecting the DCP02 in Series

Multiple DCP02 isolated 2W DC/DC converters can be connected in series to provide nonstandard voltage rails. This is possible by utilizing the floating outputs provided by the DCP02's galvanic isolation.

Connect the positive V_{OUT} from one DCP02 to the negative V_{OUT} (0V) of another (see Figure 1). If the SYNC pins are tied together, the self-synchronization feature of the DCP02 will prevent beat frequencies on the voltage rails. The SYNC feature of the DCP02 allows easy series connection without external filtering, minimizing cost.

The outputs on dual output DCP02 versions can also be connected in series to provide two times the magnitude of V_{OUT} as shown in Figure 2. For example, a dual 15V DCP022415D could be connected to provide a 30V rail.

Connecting the DCP02 in Parallel

If the output power from one DCP02 is not sufficient, it is possible to parallel the outputs of multiple DCP02s, as shown in Figure 3. Again, the SYNC feature allows easy synchronization to prevent power-rail beat frequencies at no additional filtering cost.

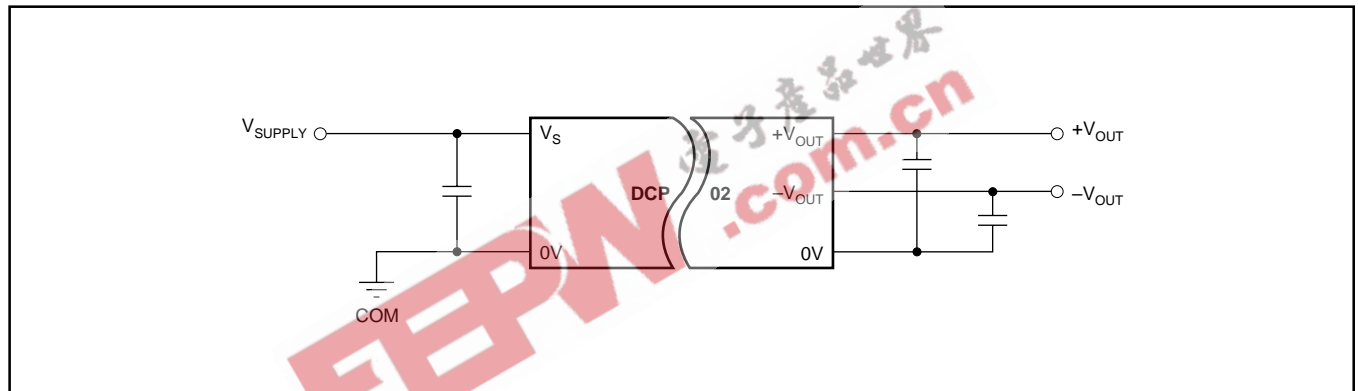


FIGURE 2. Connecting Dual Outputs in Series.

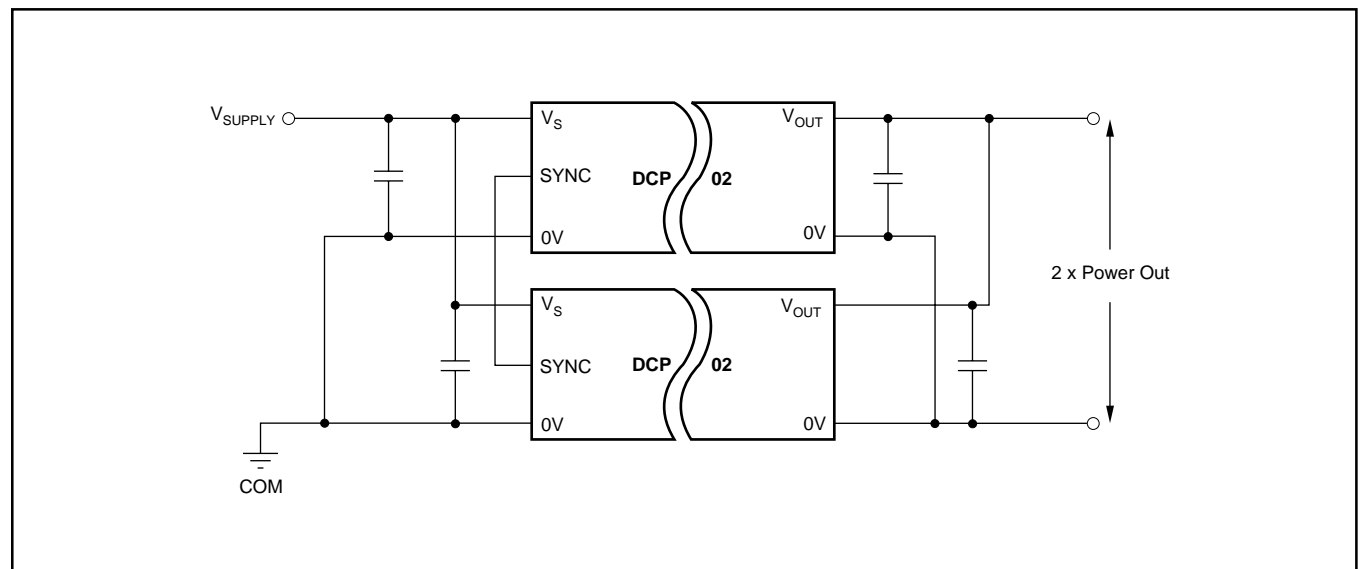


FIGURE 3. Connecting Multiple DCP02s in Parallel.

PACKAGING INFORMATION

Orderable Device	Status ⁽¹⁾	Package Type	Package Drawing	Pins	Package Qty	Eco Plan ⁽²⁾	Lead/Ball Finish	MSL Peak Temp ⁽³⁾
DCP020503P	ACTIVE	PDIP	NVA	7	25	TBD	CU SNPB	Level-NA-NA-NA
DCP020503U	ACTIVE	SOP	DVB	12	28	TBD	CU SNPB	Level-3-240C-168 HR
DCP020503U/1K	ACTIVE	SOP	DVB	12	1000	TBD	CU SNPB	Level-3-240C-168 HR
DCP020505P	ACTIVE	PDIP	NVA	7	25	TBD	CU SNPB	Level-NA-NA-NA
DCP020505U	ACTIVE	SOP	DVB	12	28	TBD	CU SNPB	Level-3-240C-168 HR
DCP020505U/1K	ACTIVE	SOP	DVB	12	1000	TBD	CU SNPB	Level-3-240C-168 HR
DCP020507P	ACTIVE	PDIP	NVA	7	25	TBD	CU SNPB	Level-NA-NA-NA
DCP020507U	ACTIVE	SOP	DVB	12	28	TBD	CU SNPB	Level-3-240C-168 HR
DCP020507U/1K	ACTIVE	SOP	DVB	12	1000	TBD	CU SNPB	Level-3-240C-168 HR
DCP020509P	ACTIVE	PDIP	NVA	7	25	TBD	CU SNPB	Level-NA-NA-NA
DCP020509U	ACTIVE	SOP	DVB	12	28	TBD	CU SNPB	Level-3-240C-168 HR
DCP020515DP	ACTIVE	PDIP	NVA	7	25	TBD	CU SNPB	Level-NA-NA-NA
DCP020515DU	ACTIVE	SOP	DVB	12	28	TBD	CU SNPB	Level-3-240C-168 HR
DCP020515DU/1K	ACTIVE	SOP	DVB	12	1000	TBD	CU SNPB	Level-3-240C-168 HR
DCP021205P	ACTIVE	PDIP	NVA	7	25	TBD	CU SNPB	Level-NA-NA-NA
DCP021205U	ACTIVE	SOP	DVB	12	28	TBD	CU SNPB	Level-3-240C-168 HR
DCP021205U/1K	ACTIVE	SOP	DVB	12	1000	TBD	CU SNPB	Level-3-240C-168 HR
DCP021212DP	ACTIVE	PDIP	NVA	7	25	TBD	CU SNPB	Level-NA-NA-NA
DCP021212DU	ACTIVE	SOP	DVB	12	28	TBD	CU SNPB	Level-3-240C-168 HR
DCP021212DU/1K	ACTIVE	SOP	DVB	12	1000	TBD	CU SNPB	Level-3-240C-168 HR
DCP021212P	ACTIVE	PDIP	NVA	7	25	TBD	CU SNPB	Level-NA-NA-NA
DCP021212U	ACTIVE	SOP	DVB	12	28	TBD	CU SNPB	Level-3-240C-168 HR
DCP021212U/1K	ACTIVE	SOP	DVB	12	1000	TBD	CU SNPB	Level-3-240C-168 HR
DCP021515P	ACTIVE	PDIP	NVA	7	25	TBD	CU SNPB	Level-NA-NA-NA
DCP021515U	ACTIVE	SOP	DVB	12	28	TBD	CU SNPB	Level-3-240C-168 HR
DCP021515U/1K	ACTIVE	SOP	DVB	12	1000	TBD	CU SNPB	Level-3-240C-168 HR
DCP022405DP	ACTIVE	PDIP	NVA	7	25	TBD	CU SNPB	Level-NA-NA-NA
DCP022405DU	ACTIVE	SOP	DVB	12	28	TBD	Call TI	Call TI
DCP022405DU/1K	ACTIVE	SOP	DVB	12	1000	TBD	CU SNPB	Level-3-240C-168 HR
DCP022405P	ACTIVE	PDIP	NVA	7	25	TBD	CU SNPB	Level-NA-NA-NA
DCP022405U	ACTIVE	SOP	DVB	12	28	TBD	CU SNPB	Level-3-240C-168 HR
DCP022405U/1K	ACTIVE	SOP	DVB	12	1000	TBD	CU SNPB	Level-3-240C-168 HR
DCP022415DP	ACTIVE	PDIP	NVA	7	25	TBD	CU SNPB	Level-NA-NA-NA
DCP022415DU	ACTIVE	SOP	DVB	12	28	TBD	CU SNPB	Level-3-240C-168 HR
DCP022415DU/1K	ACTIVE	SOP	DVB	12	1000	TBD	CU SNPB	Level-3-240C-168 HR

⁽¹⁾ The marketing status values are defined as follows:

ACTIVE: Product device recommended for new designs.

LIFEBUY: TI has announced that the device will be discontinued, and a lifetime-buy period is in effect.

NRND: Not recommended for new designs. Device is in production to support existing customers, but TI does not recommend using this part in a new design.

PREVIEW: Device has been announced but is not in production. Samples may or may not be available.

OBSOLETE: TI has discontinued the production of the device.

(2) Eco Plan - The planned eco-friendly classification: Pb-Free (RoHS) or Green (RoHS & no Sb/Br) - please check <http://www.ti.com/productcontent> for the latest availability information and additional product content details.

TBD: The Pb-Free/Green conversion plan has not been defined.

Pb-Free (RoHS): TI's terms "Lead-Free" or "Pb-Free" mean semiconductor products that are compatible with the current RoHS requirements for all 6 substances, including the requirement that lead not exceed 0.1% by weight in homogeneous materials. Where designed to be soldered at high temperatures, TI Pb-Free products are suitable for use in specified lead-free processes.

Green (RoHS & no Sb/Br): TI defines "Green" to mean Pb-Free (RoHS compatible), and free of Bromine (Br) and Antimony (Sb) based flame retardants (Br or Sb do not exceed 0.1% by weight in homogeneous material)

(3) MSL, Peak Temp. -- The Moisture Sensitivity Level rating according to the JEDEC industry standard classifications, and peak solder temperature.

Important Information and Disclaimer:The information provided on this page represents TI's knowledge and belief as of the date that it is provided. TI bases its knowledge and belief on information provided by third parties, and makes no representation or warranty as to the accuracy of such information. Efforts are underway to better integrate information from third parties. TI has taken and continues to take reasonable steps to provide representative and accurate information but may not have conducted destructive testing or chemical analysis on incoming materials and chemicals. TI and TI suppliers consider certain information to be proprietary, and thus CAS numbers and other limited information may not be available for release.

In no event shall TI's liability arising out of such information exceed the total purchase price of the TI part(s) at issue in this document sold by TI to Customer on an annual basis.

EEPW 电子产品世界
.com.cn

IMPORTANT NOTICE

Texas Instruments Incorporated and its subsidiaries (TI) reserve the right to make corrections, modifications, enhancements, improvements, and other changes to its products and services at any time and to discontinue any product or service without notice. Customers should obtain the latest relevant information before placing orders and should verify that such information is current and complete. All products are sold subject to TI's terms and conditions of sale supplied at the time of order acknowledgment.

TI warrants performance of its hardware products to the specifications applicable at the time of sale in accordance with TI's standard warranty. Testing and other quality control techniques are used to the extent TI deems necessary to support this warranty. Except where mandated by government requirements, testing of all parameters of each product is not necessarily performed.

TI assumes no liability for applications assistance or customer product design. Customers are responsible for their products and applications using TI components. To minimize the risks associated with customer products and applications, customers should provide adequate design and operating safeguards.

TI does not warrant or represent that any license, either express or implied, is granted under any TI patent right, copyright, mask work right, or other TI intellectual property right relating to any combination, machine, or process in which TI products or services are used. Information published by TI regarding third-party products or services does not constitute a license from TI to use such products or services or a warranty or endorsement thereof. Use of such information may require a license from a third party under the patents or other intellectual property of the third party, or a license from TI under the patents or other intellectual property of TI.

Reproduction of information in TI data books or data sheets is permissible only if reproduction is without alteration and is accompanied by all associated warranties, conditions, limitations, and notices. Reproduction of this information with alteration is an unfair and deceptive business practice. TI is not responsible or liable for such altered documentation.

Resale of TI products or services with statements different from or beyond the parameters stated by TI for that product or service voids all express and any implied warranties for the associated TI product or service and is an unfair and deceptive business practice. TI is not responsible or liable for any such statements.

Following are URLs where you can obtain information on other Texas Instruments products and application solutions:

Products		Applications	
Amplifiers	amplifier.ti.com	Audio	www.ti.com/audio
Data Converters	dataconverter.ti.com	Automotive	www.ti.com/automotive
DSP	dsp.ti.com	Broadband	www.ti.com/broadband
Interface	interface.ti.com	Digital Control	www.ti.com/digitalcontrol
Logic	logic.ti.com	Military	www.ti.com/military
Power Mgmt	power.ti.com	Optical Networking	www.ti.com/opticalnetwork
Microcontrollers	microcontroller.ti.com	Security	www.ti.com/security
		Telephony	www.ti.com/telephony
		Video & Imaging	www.ti.com/video
		Wireless	www.ti.com/wireless

Mailing Address: Texas Instruments
Post Office Box 655303 Dallas, Texas 75265