

# ADAM TECH

Adam Technologies, Inc.

## D-SUBMINIATURE

### CRIMP AND POKE SYSTEM

DPR / DSR SERIES

#### INTRODUCTION:

Adam Tech Crimp and Poke D-Sub connectors are a popular interface for many I/O applications. Offered in 9, 15, 25, 37 and 50 positions they are a low cost alternative to soldering a connector to cable. Contacts are crimped onto discrete wires and pushed into the connector body. The connector is comprised of a metal shell and plastic insulator and is available with a variety of mating options. The contacts are precision stamped and are available in a variety of platings.

#### FEATURES:

- Low cost no solder alternative
- Industry standard compatibility
- Durable metal shell design
- Precision formed contacts
- Variety of Mating and mounting options

#### MATING CONNECTORS:

Adam Tech D-Subminiatures and all industry standard D-Subminiature connectors.

#### SPECIFICATIONS:

##### Material:

Insulator: PBT, 30% glass reinforced, rated UL94V-0  
Insulator Color: Black  
Contacts: Phosphor Bronze  
Shell: Steel, Tin or Zinc plated  
Hardware: Brass, Nickel plated

##### Contact Plating:

Gold Flash (15 and 30  $\mu$ m Optional) over Nickel underplate.

##### Electrical:

Operating voltage: 250V AC / DC max.  
Current rating: 5 Amps max.  
Contact resistance: 20 m $\Omega$  max. initial  
Insulation resistance: 5000 M $\Omega$  min.  
Dielectric withstanding voltage: 1000V AC for 1 minute

##### Mechanical:

Insertion force: 0.75 lbs max  
Extraction force: 0.44 lbs min

##### Temperature Rating:

Operating temperature: -65°C to +125°C

##### PACKAGING:

Anti-ESD plastic trays

##### APPROVALS AND CERTIFICATIONS:

UL Recognized File No. E224053  
CSA Certified File No. LR1578596



#### ORDERING INFORMATION HOUSING

DB25

SR

SL

##### SHELL SIZE/ POSITIONS

DE09 = 9 Position  
DA15 = 15 Position  
DB25 = 25 Position  
DC37 = 37 Position  
DD50 = 50 Position

##### MOUNTING OPTIONS

Blank = .120" diameter mounting holes  
SL = Riveted #4-40 clinch nuts  
JS = Riveted #4-40 jackscrews

##### CONTACT TYPE

PR = Plug, Crimp and Poke  
SR = Socket, Crimp and Poke

#### CONTACTS

DCP

01

R

##### CONTACT WIRE RANGE

DCP = Plug Contact  
DCS = Socket Contact

##### CONTACT TYPE

01 = 24-26 AWG  
02 = 20-22 AWG  
03 = 28-30 AWG

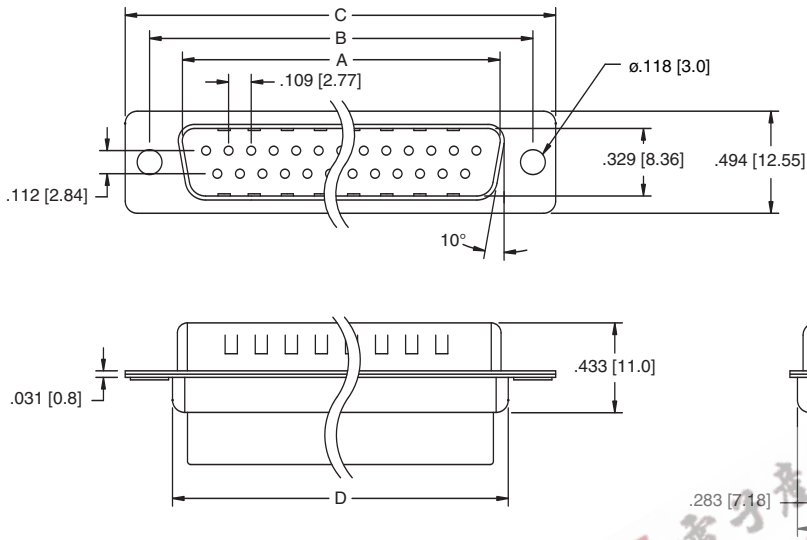
##### PACKAGING

R = 10,000 piece reel  
B = 1000 pieces loose cut

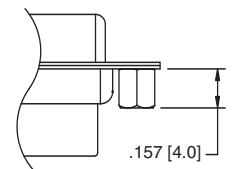
##### OPTIONS:

Add designator(s) to end of part number  
15 = 15  $\mu$ m gold plating in contact area on crimp contacts  
30 = 30  $\mu$ m gold plating in contact area on crimp contacts

### PLUG HOUSING

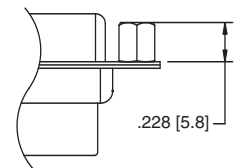
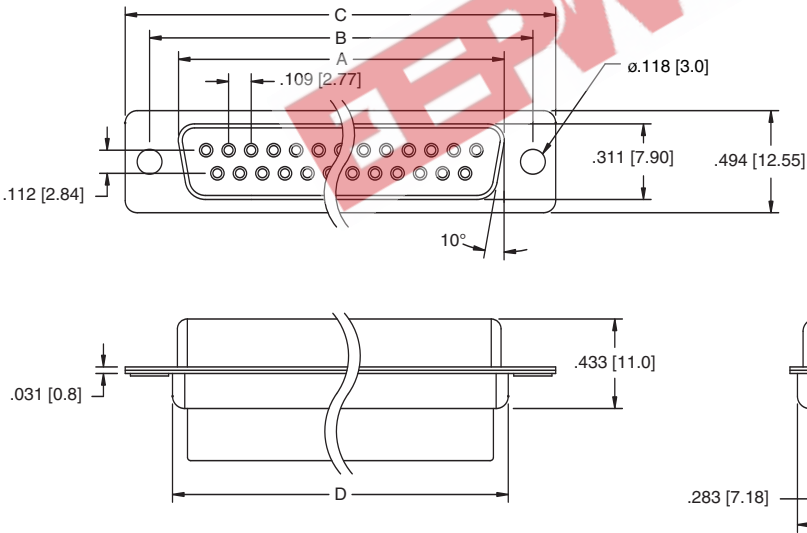


### MOUNTING OPTIONS



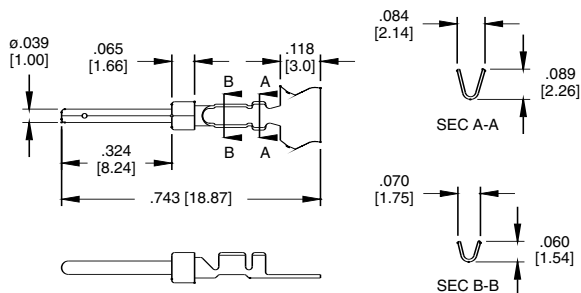
**SL Option**  
Bottom side riveted #4-40  
Clinch Nuts

### SOCKET HOUSING



**JS Option**  
Top side riveted #4-40  
Jack Screws

### PLUG CRIMP CONTACTS



### SOCKET CRIMP CONTACTS

